

# 390™ Airless Sprayer

311761M

EN

Models: 253958, 254998, 262019, 254968, 254969, 253961, 262024, 256391, 256392, 256481, 826084



**Important Safety Instructions**

Read all warnings and instructions in the Operation and Repair manuals for your sprayer. Save all instructions.

**Related Manuals**



310820

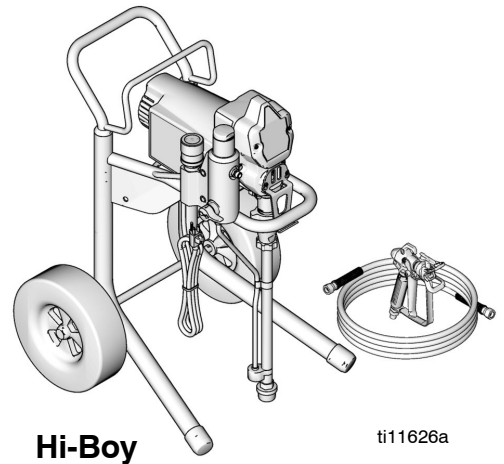


311737

309250

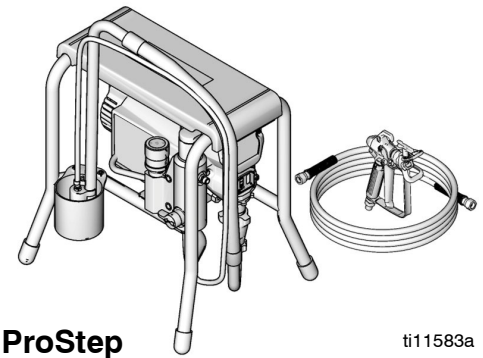


311861



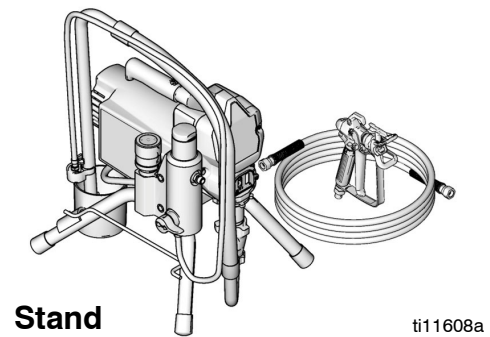
**Hi-Boy**

ti11626a



**ProStep**

ti11583a



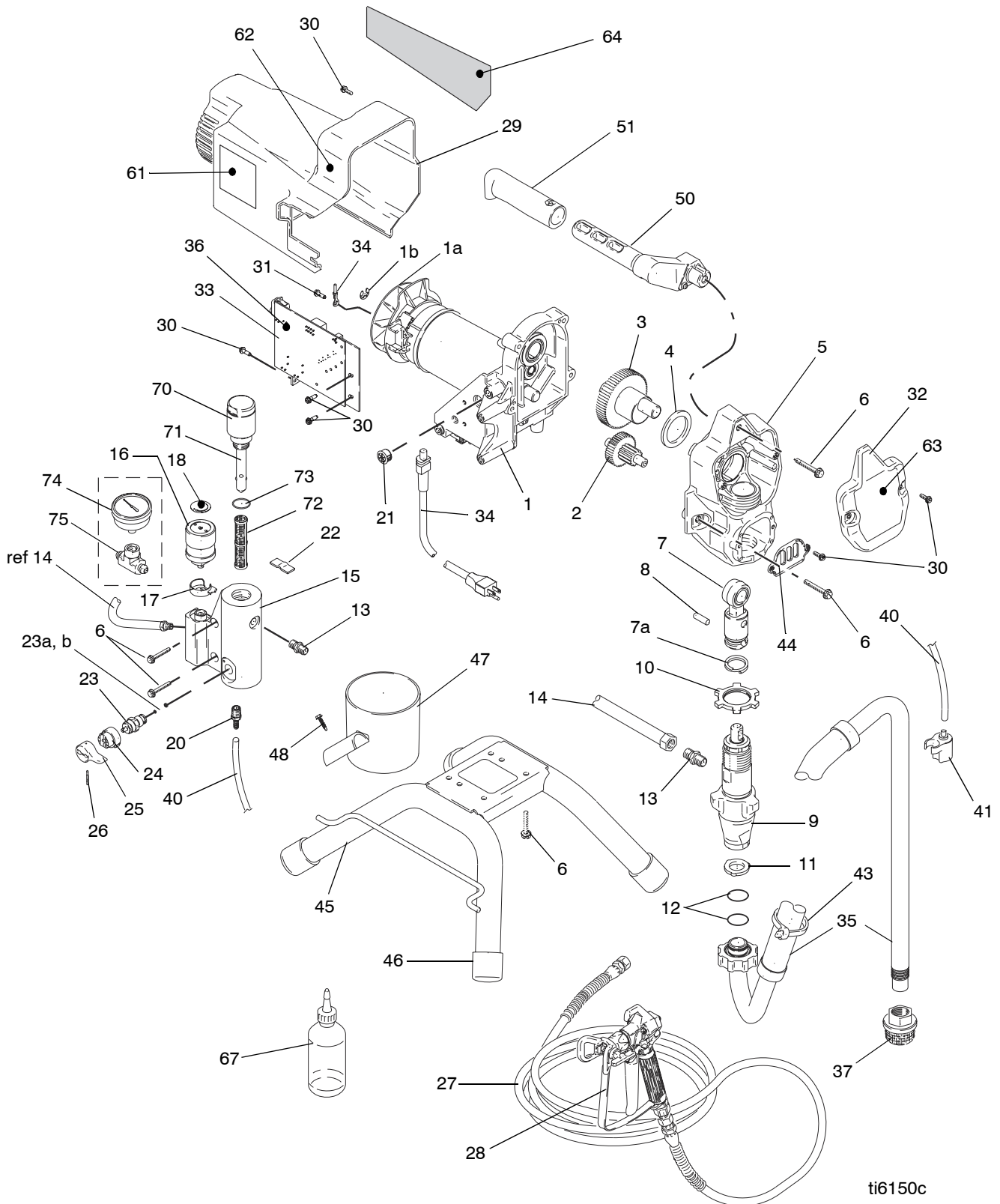
**Stand**

ti11608a



# Parts Drawing

Models 253958, 254998



# Parts List

## Models 253958, 254998

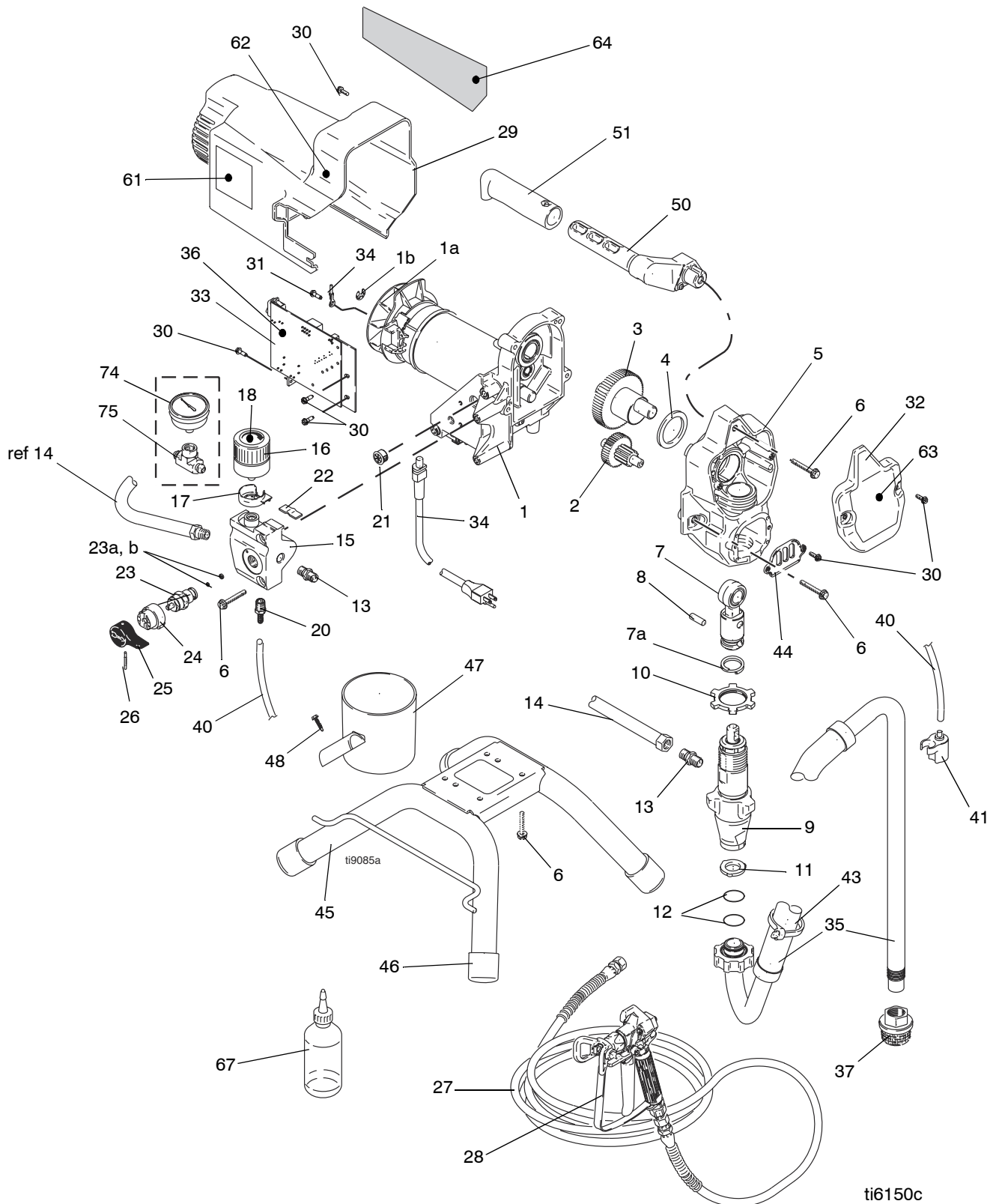
Ref	Part	Description	Qty	Ref	Part	Description	Qty
				50	276864	HANDLE, includes 6, 51	1
				51	116139	GRIP, handle	1
1		MOTOR, electric, includes 1a, 1b		61▲	15K359	LABEL, warning	1
	249040	Models 253958 120V	1	62▲	195793	LABEL, warning	1
	249041	Model 254998, 240V	1	63		LABEL, front	
1a	249043	FAN, motor, includes 1b	1		15E826	Models 253958, 254998	1
1b	119653	RING, retaining	1	64		LABEL, side	
2	249194	GEAR, reducer	1		15E827	Models 253958, 254998	1
3	249195	GEAR, crankshaft, includes 4	1	66▲	222385	TAG, warning	1
4	180131	BEARING, thrust	1	67	238049	FLUID, TSL, 4 oz	1
5	249049	HOUSING, drive, includes 6, 30, 44	1	88		CORD SET	
6	117493	SCREW, mach, hex washer hd	11		287121	Model 254969	1
7	287053	ROD, connecting, includes 7a, 8	1			Italy, Denmark, Switzerland	
7a	196750	SPRING, retaining	1		242004	Europe, adapter	1
8	196762	PIN, straight	1		242005	Australia, adapter	1
9	246428	PUMP, displacement, includes 13 (Manual 309250)	1	70	287902	KIT, repair, filter cap, includes 71	1
10	195150	NUT, jam, pump	1	71		INSERT, filter	1
11	115099	WASHER	1	72†	246384	FILTER, fluid, 60 mesh	1
12	117559	O-RING	2	73	117828	O-RING	1
13	162453	FITTING, (1/4 npsm x 1/4 npt)	2	74	115523	GAUGE, pressure, fluid; Model 254998	1
14	287003	HOSE, cpld	1	75	119783	FITTING, swivel; Model 254998	1
15	15H977	MANIFOLD, filter	1	77	243308	LABEL SET, international	1
16		CONTROL, pressure, includes 17, 21, 22			‡119277	FUSE, replacement	
	249005	Models 253958 120V	1		249042	KIT, brush, motor, replacement	
	248929	Model 254998, 240V	1				
17	15E794	CAP, wire, control, pressure	1				
18	15F399	LABEL, control	1				
20	M70809	FITTING	1				
21	115756	BUSHING	1				
22	119723	TAPE, foam	1				
23	224806	VALVE, drain, includes 23a, 23b	1				
23a	277364	GASKET, seat	1				
23b	15E022	SEAT, valve	1				
24	224807	BASE, valve	1				
25	187625	HANDLE, valve, drain	1				
26	111600	PIN, grooved	1				
27	240794	HOSE, cpld, 1/4 x 50 ft	1				
28		GUN, Manual 311861					
	288430	Model 253958, FTx, Contractor	1				
	288427	Model 254998, FTx-A, Contractor	1				
29	249044	KIT, shield, motor, includes 30, 61, 62, 64	1				
30	117501	SCREW, machine, hex washer head	9				
31	115498	SCREW, mch, slot, hex, wash hd	1				
32	15B254	COVER, front, includes 30, 63	1				
33‡		CONTROL BOARD	1				
	249052	Models 253958, 826084 120V					
	257786	Model 254998, 240V					
34		CORD					
	15J743	Models 253958, power, lighted	1				
	253373	Model 254998, ST, IEC, jumper	1				
35	246386	HOSE, suction set, includes 11, 12, 37	1				
36	189930	LABEL, caution	1				
37	246385	STRAINER, 7/8-14 unf	1				
40	249051	KIT, tube, drain, includes 20, 41, 43	1				
41	244035	DEFLECTOR, barbed	1				
43	114958	STRAP, tie	1				
44	15B589	COVER, pump rod	1				
45	15E823	FRAME, stand mount	1				
46	112759	CAP, tubing	4				
47	15G838	CUP, suction/drain	1				
48	115723	SCREW, drill, hex washer head	1				

▲ Replacement Danger and Warning labels, tags, and cards are available at no cost.

† Other filters available: 246382, 100 mesh; 246383, 200 mesh; 246425, 30 mesh

# Parts Drawing

Models 254968, 254969, 253961



# Parts List

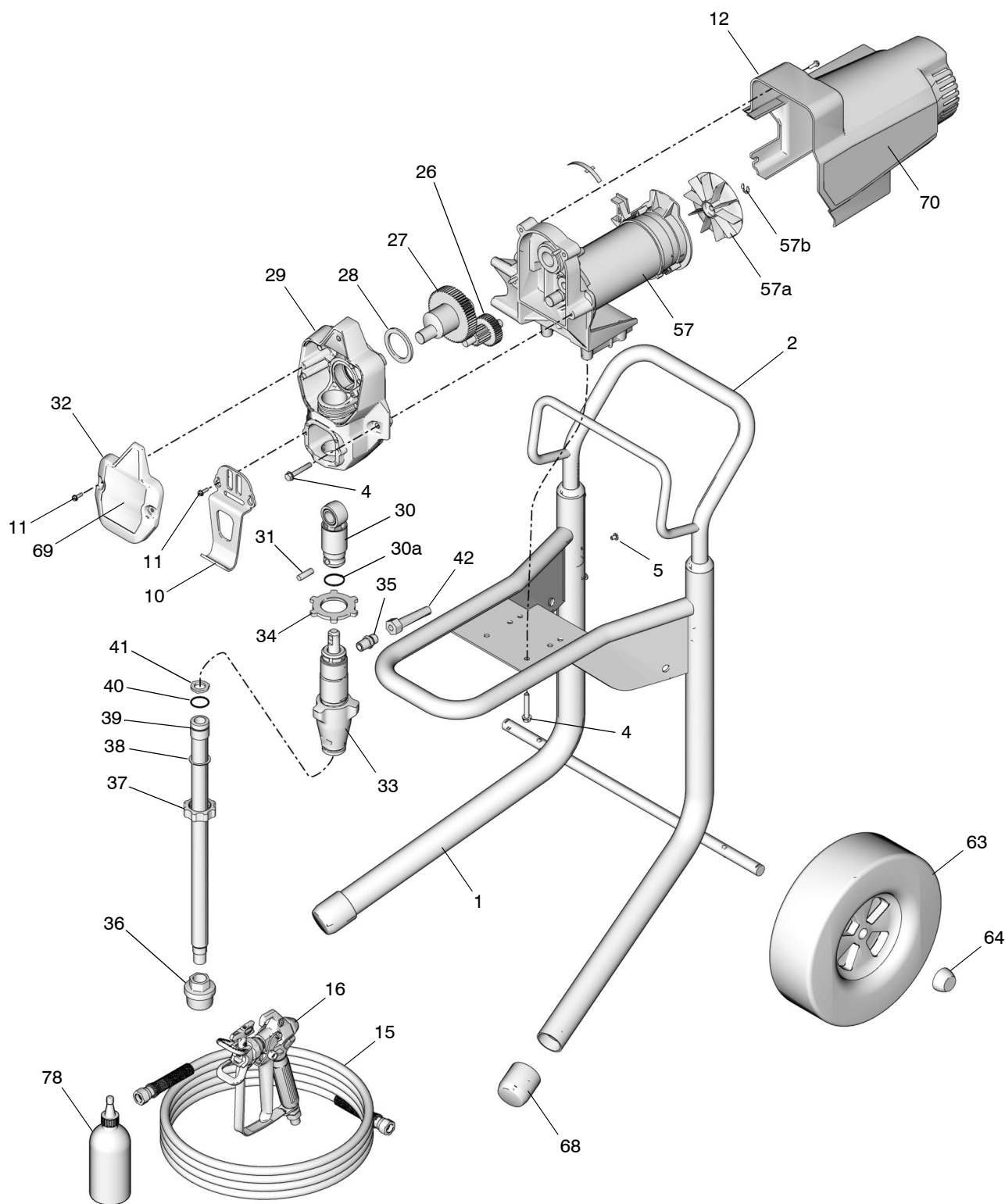
## Models 254968, 254969, 253961

Ref	Part	Description	Qty	Ref	Part	Description	Qty
1		MOTOR, electric, includes 1a, 1b		50	276864	HANDLE, includes 6, 51	1
	249040	Model 253961, 120V	1	51	116139	GRIP, handle	1
	249041	Models 254968, 254969, 240V	1	61▲	15K359	LABEL, warning	1
1a	249043	FAN, motor, includes 1b	1	62▲	195793	LABEL, warning	1
1b	119653	RING, retaining	1	63	15E826	LABEL, front	1
2	249194	GEAR, reducer	1	64	15E827	LABEL, side	1
3	249195	GEAR, crankshaft, includes 4	1	66▲	222385	TAG, warning	1
4	180131	BEARING, thrust	1	67	238049	FLUID, TSL, 4 oz	1
5	249049	HOUSING, drive, includes 6, 30, 44	1	68		CORD SET	
6	117493	SCREW, mach, hex washer hd	11		287121	Model 254969	1
7	287053	ROD, connecting, includes 7a, 8	1			Italy, Denmark, Switzerland	
7a	196750	SPRING, retaining	1		242004	Europe, adapter	1
8	196762	PIN, straight	1		242005	Australia, adapter	1
9	246428	PUMP, displacement, includes 13 Manual 309250	1	74	115523	GAUGE, pressure, fluid (models 254968, 254969)	1
10	195150	NUT, jam, pump	1	75	119783	FITTING, swivel (models 254968, 254969)	1
11	115099	WASHER	1	77	243308	LABEL SET, international	1
12	117559	O-RING	2		‡119277	FUSE, replacement	
13	162453	FITTING, (1/4 npsm x 1/4 npt)	2		249042	KIT, brush, motor, replacement	
14	287003	HOSE, cpld	1				
15	15E295	MANIFOLD, control, pressure	1				
16		CONTROL, pressure, includes 17, 21, 22					
	249005	Model 253961, 120V	1				
	248929	Models 254968, 254969, 240V	1				
17	15E794	CAP, wire, control, pressure	1				
18	15F399	LABEL, control	1				
20	M70809	FITTING	1				
21	115756	BUSHING	1				
22	119723	TAPE, foam	1				
23	224806	VALVE, drain, includes 23a, 23b	1				
23a	277364	GASKET, seat	1				
23b	15E022	SEAT, valve	1				
24	224807	BASE, valve	1				
25	187625	HANDLE, valve, drain	1				
26	111600	PIN, grooved	1				
27	240794	HOSE, cpld, 1/4x 50 ft	1				
28	288438	GUN, FTx-E, Contractor Manual 311861	1				
29	249044	KIT, shield, motor, includes 30, 61, 62, 64	1				
30	117501	SCREW, machine, hex washer head	9				
31	115498	SCREW, mch, slot, hex, wash hd	1				
32	15B254	COVER, front, includes 30, 63	1				
33‡		CONTROL BOARD					
	249052	Model 253961, 120V	1				
	249053	Models 254968, 254969, 240V	1				
34		CORD					
	253370	Models 254968, 254969, ST, IEC, Jumper	1				
	253368	Model 253961, UK	1				
35	246386	HOSE, suction set, includes 11, 12, 37	1				
36	189930	LABEL, caution	1				
37	246385	STRAINER, 7/8-14 unf	1				
40	249051	KIT, tube, drain, includes 20, 41, 43	1				
41	244035	DEFLECTOR, barbed	1				
43	114958	STRAP, tie	1				
44	15B589	COVER, pump rod	1				
45	15E823	FRAME, standmount	1				
46	112759	CAP, tubing	4				
47	15G838	CUP, suction/drain	1				
48	115723	SCREW, drill, hex washer head	1				

▲ Replacement Danger and Warning labels, tags, and cards are available at no cost.

# Parts Drawing

Models 262019, 262024



ti11627b

# Parts List

## Models 262019, 262024

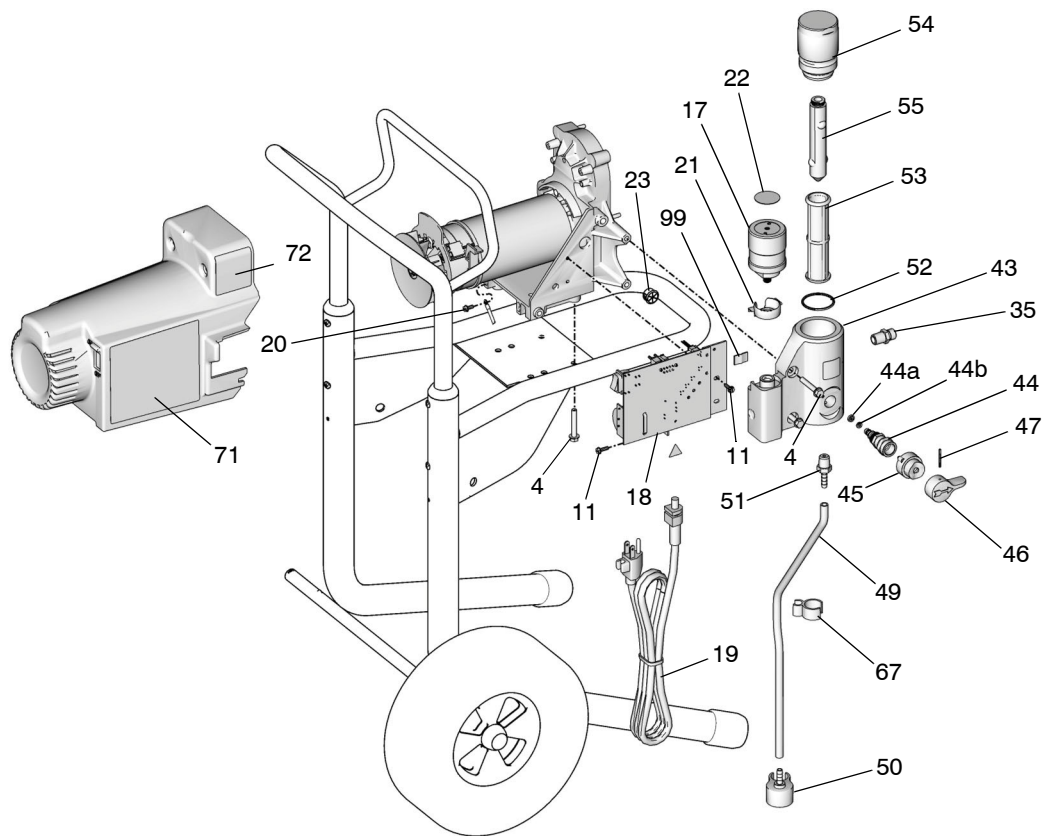
Ref.	Part	Description	Qty.
1	288216	FRAME, cart, hi	1
2	287489	HANDLE, cart	1
4	117493	SCREW, mach, hex washer hd	11
5	109032	SCREW, mach, pnh	4
10	15J812	HANGER, pail	1
11	117501	SCREW, mach, slot hex wash hd	9
12	24A048	KIT, shield, motor (includes 11, 71, and 72)	1
15	240794	HOSE, cpld, 1/4 in. x 50 ft	1
16		GUN, Manual 311861	1
	288430	Model 262019, FTX, contractor	
	288427	Model 262024, FTX-A, contractor	
26	249194	GEAR, assembly, combination	1
27	249195	GEAR, crankshaft; includes 28	1
28	180131	BEARING, thrust	1
29	24A049	HOUSING, drive; includes 4, 10, 11	1
30	287053	ROD, connecting; includes 30a, 31	1
30a	196750	SPRING, retaining	1
31	196762	PIN, straight	1
32	15B254	COVER, front (includes 69, 11)	1
33	246428	PUMP, displacement (includes 35) Manual 309250	1
34	195150	NUT, jam, pump	1
35	162453	FITTING, (1/4 npsm x 1/4 npt)	2
36	235004	STRAINER, 3/4-16 unf	1
37	15E813	NUT, jam	1
38	15B652	WASHER, suction	1
39	15J801	TUBE, suction, intake	1
40	103413	O-RING	1
41	115099	WASHER	1
42	15J744	HOSE, cpld	1
57†		MOTOR, electric	
	249040	Model 262019, 120V	1
	249041	Model 262024, 240V	
57a	249043	FAN, motor	1
57b	119653	RING, retaining	1
63	119451	WHEEL, semi pneumatic	2
64	119452	CAP, hub	2
68	15C871	CAP, leg	2
69	15K373	LABEL, front, brand	1
70	15K375	LABEL, side, brand	1
78	206994	FLUID, TSL, 8 oz (not shown)	1

▲ Replacement Danger and Warning labels, tags, and cards are available at no cost.

† 249042 KIT, brush, motor

# Parts Drawing

Models 262019, 262024



## Parts List

Ref	Part	Description	Qty	Ref	Part	Description	Qty
4	117493	SCREW, mach, hex washer hd	10	50	244035	DEFLECTOR, barbed	1
11	117501	SCREW, mach, slot hex wash hd	7	51	M70809	FITTING, barbed, hose	1
17		CONTROL, PRESSURE, includes 21, 23, 99	1	52	117828	O-RING	1
	249005	Model 262019, 120V		53	246384	FILTER, fluid	1
	248929	Model 262024, 240V		54	287902	CAP FILTER, (includes 54, 55)	1
18‡		CONTROL, board	1	55		INSERT FILTER	1
	249052	Model 262019, 120V		67	195400	CLIP, spring	1
	257786	Model 262024, 240V		71▲	15K359	LABEL, warning	1
19	15J743	CORD, power, lighted, cart unit	1	72▲	195793	LABEL, warning	1
20	115498	SCREW, mach, slot hex wash hd	1	99	119723	TAPE, foam	1
21	15E794	CAP, wire, control, pressure	1				
22	15F399	LABEL, pressure control knob	1				
23	115756	BUSHING, universal	1				
43	15T874	MANIFOLD, Filter	1				
44	224806	VALVE, drain; includes 44a, 44b	1				
44a	277364	GASKET, seat	1				
44b	15E022	SEAT, valve	1				
45	224807	BASE, valve	1				
46	187625	HANDLE, valve, drain	1				
47	111600	PIN, grooved	1				
49	15K092	TUBE, drain	1				

▲ Replacement Danger and Warning labels, tags, and cards are available at no cost.

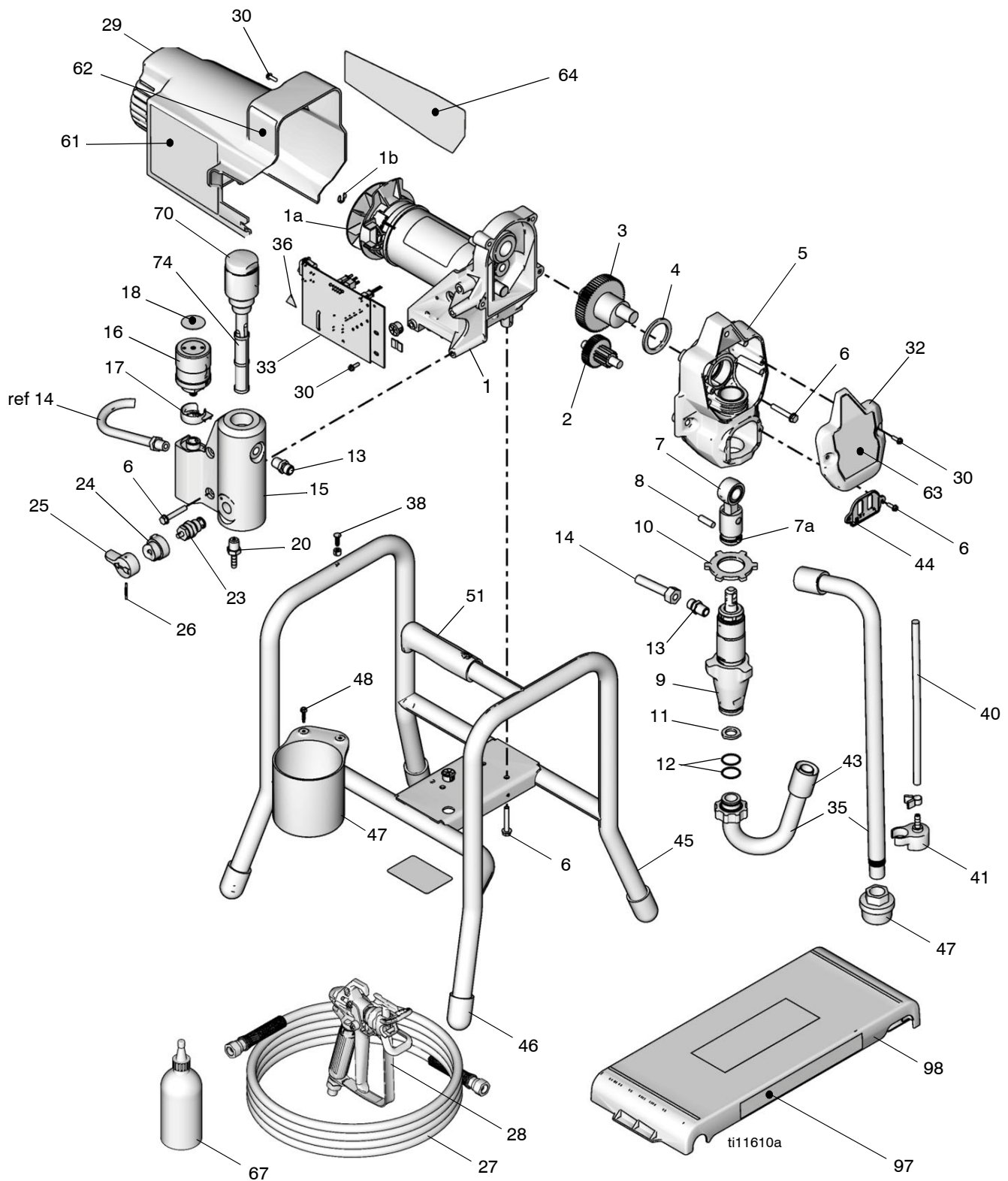
‡ 119277 Fuse replacement for 120V motors





# Parts Drawing

Models 256391, 256392, 256481



# Parts List

## Models 256391, 256392, 256481

Ref	Part	Description	Qty	Ref	Part	Description	Qty
1❖		MOTOR, electric	1	46		CAP, tubing	
	249040	Model 256481, 120V			112759	Model 826084	4
	249041	Models 256391, 256392, 240V			15G857	Model 826098	4
1a	249043	FAN, motor, includes 1b	1	47		CUP, suction/drain	
1b	119653	RING, retaining	1		15G838	Model 826084	1
2	249194	GEAR, reducer	1		15B870	Model 826098	1
3	249195	GEAR, crankshaft, includes 4	1	48	115723	SCREW, drill, hex washer head	1
4	180131	BEARING, thrust	1	50	287072	HANDLE, includes 6, 51	
5	249049	HOUSING, drive, includes 6, 30, 44	1	51	116139	GRIP, handle	1
6	117493	SCREW, mach, hex washer hd	11	61▲	15K359	LABEL, warning	1
7	287053	ROD, connecting, includes 7a, 8	1	62▲	195793	LABEL, warning	1
7a	196750	SPRING, retaining	1	63		LABEL, front	
8	196762	PIN, straight	1		15U220	Models 256391, 256481	1
9	246428	PUMP, displacement, includes 13 (Manual 309250)	1		15U446	Model 256392	1
				64		LABEL, side	
10	195150	NUT, jam, pump	1		15U221	Models 256391, 256481	1
11	115099	WASHER	1		15U447	Model 256392	1
12	117559	O-RING	2	66▲	222385	TAG, warning	1
13	162453	FITTING, (1/4 npsm x 1/4 npt)	2	67	238049	FLUID, TSL, 4 oz	1
14	287003	HOSE, cpld	1	70	287902	KIT, repair, filter cap, includes 71	1
15	15H977	MANIFOLD, filter	1	71		INSERT, filter	1
16		CONTROL, pressure, includes 17, 21, 22	1	72†	246384	FILTER, fluid, 60 mesh	1
	249005	Model 256481, 120V		73	117828	O-RING	1
	248929	Models 256391, 256392, 220V		95	15U222	Label, top	1
17	15E794	CAP, wire, control, pressure	1	97▲	15T843	LABEL, warning	1
18	15A464	LABEL, control	1	98	24A096	PLATFORM	1
20	M70809	FITTING	1				
21	115756	BUSHING	1		‡119277	FUSE, replacement for 120V motors	
22	119723	TAPE, foam	1		❖249042	KIT, brush, motor, replacement	
23	235014	VALVE, drain, includes 23a, 23b	1				
23a	277364	GASKET, seat	1				
23b	15E022	SEAT, valve	1				
24	224807	BASE, valve	1				
25	187625	HANDLE, valve, drain	1				
26	111600	PIN, grooved	1				
27	240794	HOSE, cpld, 1/4 x 50 ft	1				
28		GUN	1				
	288430	Model 256391, 256481, FTX contractor					
	288427	Model 256392, FTX-A contractor					
29	249044	KIT, shield, motor, includes 30, 61, 62, 64	1				
30	117501	SCREW, machine, hex washer head	9				
31	115498	SCREW, mch, slot, hex, wash hd	1				
32	15B254	COVER, front, includes 30, 63	1				
33‡		CONTROL BOARD	1				
	249052	Model 256481, 120V					
	249053	Models 256391, 240V					
	257786	Models 256392, 240V					
34	15B469	CORD(256489)	1				
	15B471	CORD (256391, 256392)					
35	246386	HOSE, suction set, includes 11, 12, 37	1				
36▲	189930	LABEL, caution	1				
37	246385	STRAINER, 7/8-14 unf	1				
38	113038	RIVET, cherry N	1				
40	249051	KIT, tube, drain, includes 20, 41, 43	1				
41	244035	DEFLECTOR, barbed	1				
43	114958	STRAP, tie	1				
44	15B589	COVER, pump rod	1				
45		FRAME, stand mount					
	15E823	Model 826084	1				
	24A070	Model 826098, includes 51, 46	1				

▲ Replacement Danger and Warning labels, tags, and cards are available at no cost.

† Other filters available: 246382, 100 mesh; 246383, 200 mesh; 246425, 30 mesh.

# Graco Standard Warranty

Graco warrants all equipment referenced in this document which is manufactured by Graco and bearing its name to be free from defects in material and workmanship on the date of sale to the original purchaser for use. With the exception of any special, extended, or limited warranty published by Graco, Graco will, for a period of twelve months from the date of sale, repair or replace any part of the equipment determined by Graco to be defective. This warranty applies only when the equipment is installed, operated and maintained in accordance with Graco's written recommendations.

This warranty does not cover, and Graco shall not be liable for general wear and tear, or any malfunction, damage or wear caused by faulty installation, misapplication, abrasion, corrosion, inadequate or improper maintenance, negligence, accident, tampering, or substitution of non-Graco component parts. Nor shall Graco be liable for malfunction, damage or wear caused by the incompatibility of Graco equipment with structures, accessories, equipment or materials not supplied by Graco, or the improper design, manufacture, installation, operation or maintenance of structures, accessories, equipment or materials not supplied by Graco.

This warranty is conditioned upon the prepaid return of the equipment claimed to be defective to an authorized Graco distributor for verification of the claimed defect. If the claimed defect is verified, Graco will repair or replace free of charge any defective parts. The equipment will be returned to the original purchaser transportation prepaid. If inspection of the equipment does not disclose any defect in material or workmanship, repairs will be made at a reasonable charge, which charges may include the costs of parts, labor, and transportation.

**THIS WARRANTY IS EXCLUSIVE, AND IS IN LIEU OF ANY OTHER WARRANTIES, EXPRESS OR IMPLIED, INCLUDING BUT NOT LIMITED TO WARRANTY OF MERCHANTABILITY OR WARRANTY OF FITNESS FOR A PARTICULAR PURPOSE.**

Graco's sole obligation and buyer's sole remedy for any breach of warranty shall be as set forth above. The buyer agrees that no other remedy (including, but not limited to, incidental or consequential damages for lost profits, lost sales, injury to person or property, or any other incidental or consequential loss) shall be available. Any action for breach of warranty must be brought within two (2) years of the date of sale.

**GRACO MAKES NO WARRANTY, AND DISCLAIMS ALL IMPLIED WARRANTIES OF MERCHANTABILITY AND FITNESS FOR A PARTICULAR PURPOSE, IN CONNECTION WITH ACCESSORIES, EQUIPMENT, MATERIALS OR COMPONENTS SOLD BUT NOT MANUFACTURED BY GRACO.** These items sold, but not manufactured by Graco (such as electric motors, switches, hose, etc.), are subject to the warranty, if any, of their manufacturer. Graco will provide purchaser with reasonable assistance in making any claim for breach of these warranties.

In no event will Graco be liable for indirect, incidental, special or consequential damages resulting from Graco supplying equipment hereunder, or the furnishing, performance, or use of any products or other goods sold hereto, whether due to a breach of contract, breach of warranty, the negligence of Graco, or otherwise.

## **FOR GRACO CANADA CUSTOMERS**

The Parties acknowledge that they have required that the present document, as well as all documents, notices and legal proceedings entered into, given or instituted pursuant hereto or relating directly or indirectly hereto, be drawn up in English. Les parties reconnaissent avoir convenu que la rédaction du présente document sera en Anglais, ainsi que tous documents, avis et procédures judiciaires exécutés, donnés ou intentés, à la suite de ou en rapport, directement ou indirectement, avec les procédures concernées.

## **ADDITIONAL WARRANTY COVERAGE**

Graco does provide extended warranty and wear warranty for products described in the "Graco Contractor Equipment Warranty Program".

## Graco Information

For the latest information about Graco products, visit [www.graco.com](http://www.graco.com).

**TO PLACE AN ORDER**, contact your Graco distributor or call 1-800-690-2894 to identify the nearest distributor.

*All written and visual data contained in this document reflects the latest product information available at the time of publication.  
Graco reserves the right to make changes at any time without notice.*

For patent information, see [www.graco.com/patents](http://www.graco.com/patents).  
Original Instructions. This manual contains English. MM 311761

**Graco Headquarters:** Minneapolis  
**International Offices:** Belgium, China, Japan, Korea

**GRACO INC. AND SUBSIDIARIES • P.O. BOX 1441 • MINNEAPOLIS MN 55440-1441 • USA**

**Copyright 2006, Graco Inc. All Graco manufacturing locations are registered to ISO 9001.**

[www.graco.com](http://www.graco.com)  
Revised October 2013