

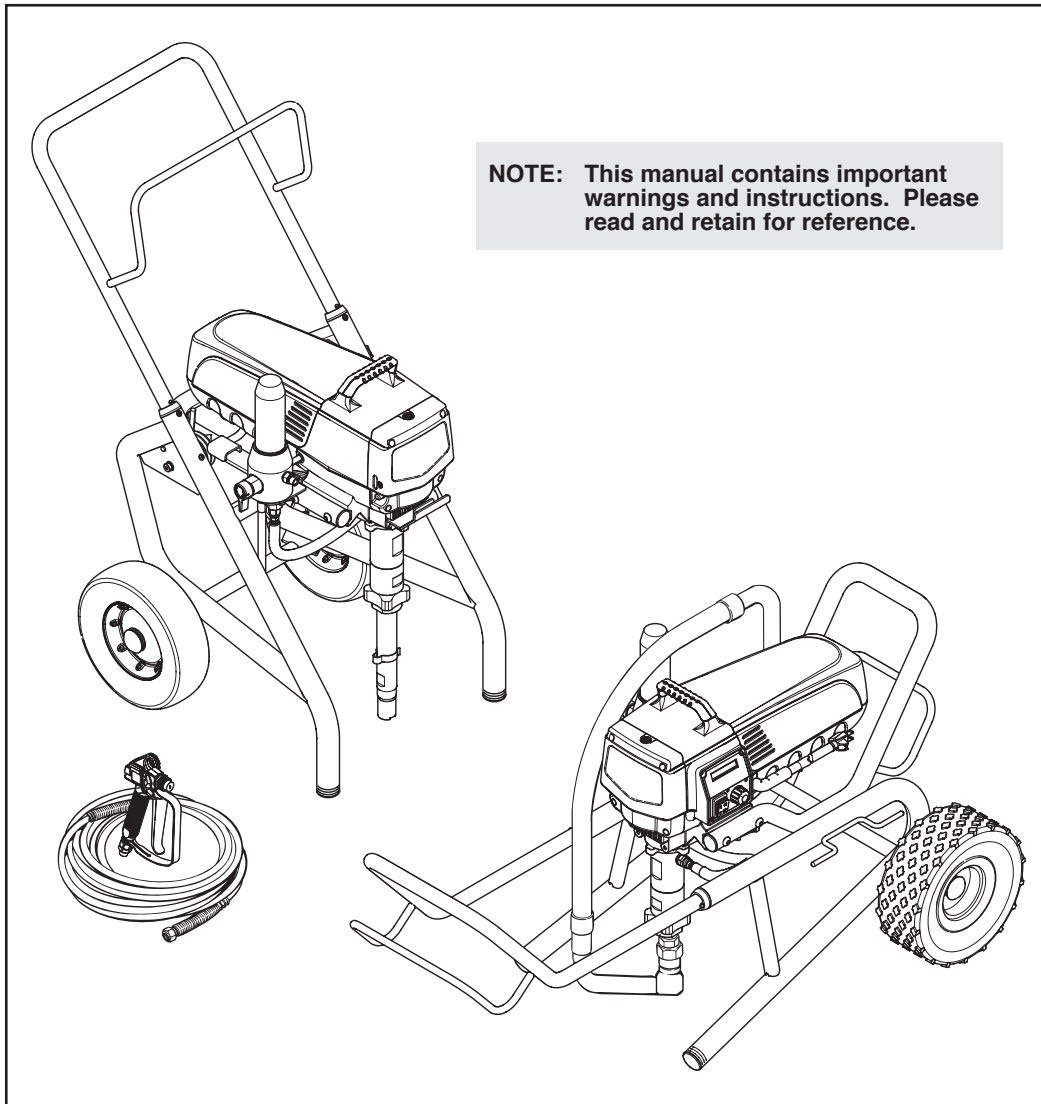


Owner's Manual
Notice d'utilisation
Manual del Propietario
For professional use only

Do not use this equipment before reading this manual!

740 / 840

Airless Sprayer



NOTE: This manual contains important warnings and instructions. Please read and retain for reference.

Model Numbers:
740 High Rider
740 Low Rider
840 High Rider
840 Low Rider

805-007
805-008
805-009
805-010

**Anti-Theft Digital Lockout
Security Code**

— — —

Serial # _ _ _ _ _



Important Safety Information • Read all safety information before operating the equipment. SAVE THESE INSTRUCTIONS.



This symbol indicates a hazardous situation, which, if not avoided could result in death or serious injury.



To reduce the risks of fire or explosion, electrical shock and the injury to persons, read and understand all instructions included in this manual. Be familiar with the controls and proper usage of the equipment.

HAZARD: INJECTION INJURY

A high pressure paint stream produced by this equipment can pierce the skin and underlying tissues, leading to serious injury and possible amputation. See a physician immediately.



DO NOT TREAT AN INJECTION INJURY AS A SIMPLE CUT! Injection can lead to amputation. See a physician immediately.

The maximum operating range of the sprayer is 3300 PSI / 22.8 MPa fluid pressure.

PREVENTION:

- NEVER aim the gun at any part of the body.
- Do not aim the gun at, or spray any person or animal.
- NEVER allow any part of the body to touch the fluid stream. DO NOT allow body to touch a leak in the fluid hose.
- NEVER put your hand in front of the gun. Gloves will not provide protection against an injection injury.
- ALWAYS lock the gun trigger, shut the pump off, and release all pressure before servicing, cleaning the tip or guard, changing tip, or leaving unattended. Pressure will not be released by turning off the motor. The PRIME/SPRAY valve or pressure bleed valve must be turned to their appropriate positions to relieve system pressure. Refer to the PRESSURE RELIEF PROCEDURE described in this manual.
- ALWAYS keep the tip guard in place while spraying. The tip guard provides some protection but is mainly a warning device.
- ALWAYS remove the spray tip before flushing or cleaning the system.
- Paint hose can develop leaks from wear, kinking and abuse. A leak can inject material into the skin. Inspect the hose before each use. Do not use hose to lift or pull equipment.
- NEVER use a spray gun without a working trigger lock and trigger guard in place.
- All accessories must be rated at or above 3300 PSI / 22.8 MPa. This includes spray tips, guns, extensions, and hose.
- Do not leave the unit energized or under pressure while unattended. When the unit is not in use, turn off the unit and relieve the pressure in accordance with the PRESSURE RELIEF PROCEDURE described in this manual.
- Verify that all connections are secure before operating the unit. Unsecured parts may eject at great force or leak a high pressure fluid stream causing severe injury.
- Always engage the trigger lock when not spraying. Verify the trigger lock is functioning properly.

NOTE TO PHYSICIAN:

Injection into the skin is a traumatic injury. It is important to treat the injury as soon as possible. DO NOT delay treatment to research toxicity. Toxicity is a concern with some coatings injected directly into the blood stream. Consultation with a plastic surgeon or reconstructive hand surgeon may be advisable.

HAZARD: HAZARDOUS VAPORS

Paints, solvents, insecticides, and other materials can be harmful if inhaled or come in contact with the body. Vapors can cause severe nausea, fainting, or poisoning.



PREVENTION:

- Use a respirator or mask if vapors can be inhaled. Read all instructions supplied with the mask to be sure it will provide the necessary protection.
- Wear protective eyewear.
- Wear protective clothing as required by coating manufacturer.



HAZARD: EXPLOSION OR FIRE

Solvent and paint fumes can explode or ignite. Property damage and/or severe injury can occur.



PREVENTION:

- Provide extensive exhaust and fresh air introduction to keep the air within the spray area free from accumulation of flammable vapors. Solvent and paint fumes can explode or ignite.
- Do not spray in a confined area.
- Avoid all ignition sources such as static electric sparks, open flames, pilot lights, electrical appliances, and hot objects. Connecting or disconnecting power cords or working light switches can make sparks. Paint or solvent flowing through the equipment is able to result in static electricity.
- Do not smoke in spray area.
- Fire extinguisher must be present and in good working order.
- Place pump at least 25 feet (7.62 meters) from the spray object in a well ventilated area (add more hose if necessary). Flammable vapors are often heavier than air. Floor area must be extremely well ventilated. The pump contains arcing parts that emit sparks and can ignite vapors.
- The equipment and objects in and around the spray area must be properly grounded to prevent static sparks.
- Keep area clean and free of paint or solvent containers, rags and other flammable materials.
- Use only conductive or grounded high pressure fluid hose. Gun must be grounded through hose connections.
- For electric units — power cord must be connected to a grounded circuit.
- Always flush unit into a separate metal container, at low pump pressure, with spray tip removed. Hold gun firmly against side of container to ground container and prevent static sparks.
- Follow the material and solvent manufacturer's warnings and instructions. Know the contents of the paints and solvents being sprayed. Read all Material Safety Data Sheets (MSDS) and container labels provided with the paints and solvents. Follow the paint and solvent manufacturer's safety instructions.
- Use extreme caution when using materials with a flashpoint below 70°F (21°C). Flashpoint is the temperature that a fluid can produce enough vapors to ignite.
- Plastic can cause static sparks. Never hang plastic to enclose a spray area. Do not use plastic drop cloths when spraying flammable materials.
- Use lowest possible pressure to flush equipment.
- Do not spray onto pump assembly.





Important Safety Information • Read all safety information before operating the equipment. SAVE THESE INSTRUCTIONS.

HAZARD: EXPLOSION HAZARD DUE TO INCOMPATIBLE MATERIALS

Will cause property damage or severe injury.



PREVENTION:

- Do not use materials containing bleach or chlorine.
- Do not use halogenated hydrocarbon solvents such as bleach, mildewcide, methylene chloride and 1,1,1 - trichloroethane. They are not compatible with aluminum.
- Contact your coating supplier about the compatibility of material with aluminum.

HAZARD: GENERAL

Can cause severe injury or property damage.

PREVENTION:

- Read all instructions and safety precautions before operating equipment.
- Follow all appropriate local, state, and national codes governing ventilation, fire prevention, and operation.
- The United States Government Safety Standards have been adopted under the Occupational Safety and Health Act (OSHA). These standards, particularly part 1910 of the General Standards and part 1926 of the Construction Standards should be consulted.
- Use only manufacturer authorized parts. User assumes all risks and liabilities when using parts that do not meet the minimum specifications and safety requirements of the pump manufacturer.
- All hoses, fittings, and filter parts must be secured before operating spray pump. Unsecured parts can eject at great force or leak a high pressure fluid stream causing severe injury.
- Before each use, check all hoses for cuts, leaks, abrasion or bulging of cover. Check for damage or movement of couplings. Immediately replace the hose if any of these conditions exist. Never repair a paint hose. Replace it with another grounded high-pressure hose.
- Do not kink or over-bend the hose. Airless hose can develop leaks from wear, kinking and abuse. A leak can inject material into the skin.
- Do not expose the hose to temperatures or pressures in excess of those specified by manufacturer.
- Do not spray outdoors on windy days.
- Wear clothing to keep paint off skin and hair.
- Do not operate or spray near children. Keep children away from the equipment at all times.
- Do not overreach or stand on an unstable support. Keep effective footing and balance at all times.
- Use lowest possible pressure to flush equipment.
- Stay alert and watch what you are doing.
- Do not operate the unit when fatigued or under the influence of drugs or alcohol.
- For electric units — Always unplug cord from outlet before working on equipment.
- Do not use the hose as a strength member to pull or lift the equipment.
- Do not lift by cart handle when loading or unloading.

Grounding Instructions

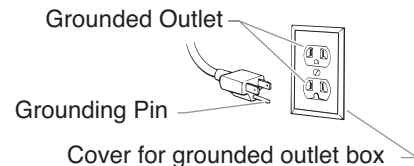
This product must be grounded. In the event of an electrical short circuit, grounding reduces the risk of electric shock by providing an escape wire for the electric current. This product is equipped with a cord having a grounding wire with an appropriate grounding plug. The plug must be plugged into an outlet that is properly installed and grounded in accordance with all local codes and ordinances.

WARNING - Improper installation of the grounding plug can result in a risk of electric shock.

If repair or replacement of the cord or plug is necessary, do not connect the green grounding wire to either flat blade terminal. The wire with insulation having a green outer surface with or without yellow stripes is the grounding wire and must be connected to the grounding pin.



Check with a qualified electrician or serviceman if the grounding instructions are not completely understood, or if you are in doubt as to whether the product is properly grounded. Do not modify the plug provided. If the plug will not fit the outlet, have the proper outlet installed by a qualified electrician.



IMPORTANT: Use only a 3-wire extension cord that has a 3-blade grounding plug and a 3-slot receptacle that will accept the plug on the product. Make sure your extension cord is in good condition. When using an extension cord, be sure to use one heavy enough to carry the current your product will draw. An undersized cord will cause a drop in line voltage resulting in loss of power and overheating. A 12 gauge cord is recommended. If an extension cord is to be used outdoors, it must be marked with the suffix W-A after the cord type designation. For example, a designation of SJTW-A would indicate that the cord would be appropriate for outdoor use.

IMPORTANT: When the sprayer is used with a generator or uncontrolled line voltage, the use of Titan's "Line Surge Protector" (P/N 800-935) is recommended.

Specifications

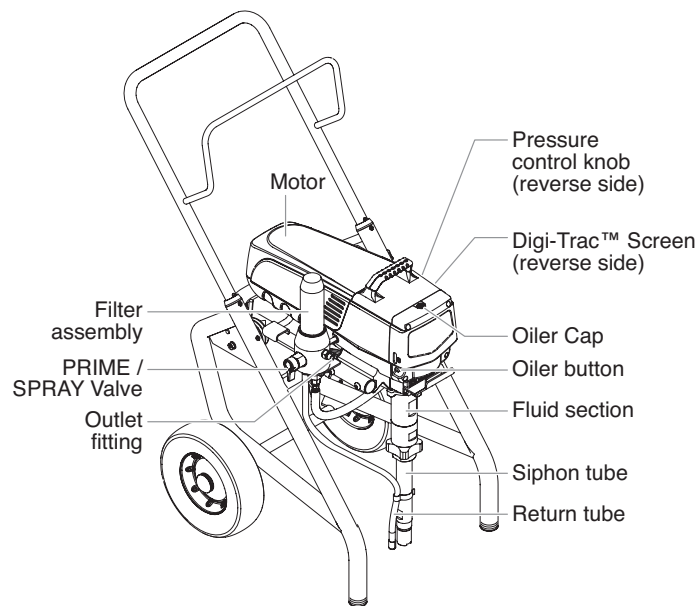
Gallons per minute (GPM)	
740.....	0.80 (3.0 LPM)
840.....	0.95 (3.6 LPM)
Maximum tip sizes	
740.....	0.029"
840.....	0.031"
Maximum pressure	3300 PSI (22.8 MPa)
Voltage	100~120V AC, 50/60 Hz
Power	
740.....	1.8 HP Brushless DC Motor
840.....	2.1 HP Brushless DC Motor
Maximum current consumption	15 A
Weight, high rider	95 lbs. (43.1 kg)
Weight, low rider.....	81 lbs. (36.7 kg)
Maximum hose length	300' (91.4 m)
Generator requirement	5000 Watt (disable idle-down feature)

Table of Contents

Safety Precautions	2
General Description	4
Operation	4
Setup	4
Preparing to Paint	5
Painting	5
Control Panel Indicators	5
Digi-Trac™ Control System Operation	6
Pressure Relief Procedure	7
Spraying	8
Spraying Technique	8
Practice	8
Cleanup	9
Maintenance	9
General Repair and Service Notes	9
Replacing the Filters	10
Replacing the Motor Assembly	10
Replacing the Gears	11
Replacing the Transducer	11
Replacing the PRIME/SPRAY Valve	12
Servicing the Fluid Section	12
Troubleshooting	14
Digi-Trac™ Control System Error Messages	15
Parts Listings	44
Main Assembly	44
Drive Assembly	46
Upright Cart	47
Fluid Section Assembly	48
Filter Assembly	50
Low Rider Cart	51
Siphon Set Assembly (low rider)	52
Labels	52
Electrical Schematic	53
Accessories	54
Warranty	60

General Description

This airless sprayer is a precision power tool used for spraying many types of materials. Read and follow this instruction manual carefully for proper operating instructions, maintenance, and safety information.



Operation



This equipment produces a fluid stream at extremely high pressure. Read and understand the warnings in the Safety Precautions section at the front of this manual before operating this equipment.

Setup

Perform the following procedure before plugging in the power cord of an electric unit.

1. Ensure that the siphon tube and the return hose are attached and secure.
2. Using a wrench, attach a minimum of 50' of 1/4" airless spray hose to the outlet fitting on the sprayer. Tighten securely.
3. Attach an airless spray gun to the spray hose. Using two wrenches (one on the gun and one on the hose), tighten securely.

NOTE: Do not attach the tip to the spray gun yet. Remove the tip if it is already attached.



Make sure all airless hoses and spray guns are electrically grounded and rated at or above the maximum operating pressure range of the airless sprayer.

4. Make sure the pressure control knob is in its OFF position in the black zone.
5. Make sure the ON/OFF switch is in its OFF position.
6. Remove the fill cap with a straight-slot screwdriver, or a coin. Fill the oil reservoir with one ounce of piston seal lubricant (Piston Lube). Replace oiler cap.
7. Press oiler button 2-5 times to prime the oiler. Press once for every eight hours of usage to lubricate the fluid section.

IMPORTANT: Never operate unit for more than ten seconds without fluid. Operating this unit without fluid will cause unnecessary wear to the packings.

8. Make sure the electrical service is 120V, 15 amp minimum.
9. Plug the power cord into a properly grounded outlet at least 25' from the spray area.

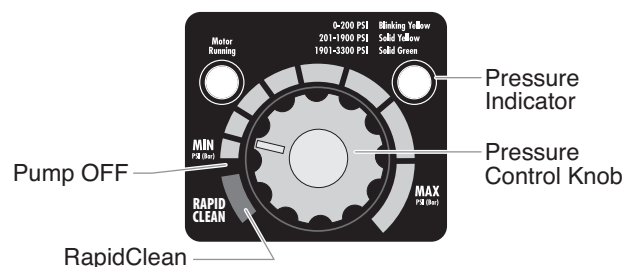
IMPORTANT: Always use a minimum 12 gauge, three-wire extension cord with a grounded plug. Never remove the third prong or use an adapter.

Preparing a New Sprayer

If this sprayer is new, it is shipped with test fluid in the fluid section to prevent corrosion during shipment and storage. This fluid must be thoroughly cleaned out of the system with mineral spirits before you begin spraying.

IMPORTANT: Always keep the trigger lock on the spray gun in the locked position while preparing the system.

1. Place the siphon tube into a container of mineral spirits.
2. Place the return hose into a metal waste container.
3. Set the pressure to minimum by turning the pressure control knob to the "MIN" setting.



4. Move the PRIME/SPRAY valve down to the PRIME position.
5. Turn on the sprayer by moving the ON/OFF switch to the ON position.
6. Allow the sprayer to run for 15–30 seconds to flush the test fluid out through the return hose and into the waste container.
7. Turn off the sprayer by moving the ON/OFF switch to the OFF position.

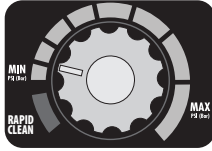
Preparing to Paint

Before painting, it is important to make sure that the fluid in the system is compatible with the paint that is going to be used.

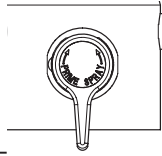
NOTE: Incompatible fluids and paint may cause the valves to become stuck closed, which would require disassembly and cleaning of the sprayer's fluid section.

IMPORTANT: Always keep the trigger lock on the spray gun in the locked position while preparing the system.

1. Place the siphon tube into a container of the appropriate solvent. Examples of the appropriate solvent are water for latex paint or mineral spirits for oil-based paints.
2. Place the return hose into a metal waste container.
3. Set the pressure to minimum by turning the pressure control knob to the "MIN" setting.
4. Move the PRIME/SPRAY valve down to the PRIME position.



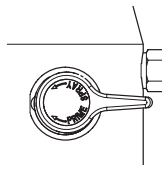
NOTE: Hold the return hose in the waste container when moving the PRIME/SPRAY valve to PRIME in case the sprayer is pressurized.



5. Turn on the sprayer by moving the ON/OFF switch to the ON position.
6. Allow the sprayer to run for 15–30 seconds to flush the old solvent out through the return hose and into the metal waste container.
7. Turn off the sprayer by moving the ON/OFF switch to the OFF position.

NOTE: Make sure that the spray gun does not have a tip or tip guard installed.

8. Move the PRIME/SPRAY valve up to the SPRAY position.
9. Turn on the sprayer.
10. Unlock the gun by turning the gun trigger lock to the unlocked position.



! Ground the gun by holding it against the edge of the metal container while flushing. Failure to do so may lead to a static electric discharge, which may cause a fire.



11. Trigger the gun into the metal waste container until the old solvent is gone and fresh solvent is coming out of the gun.
12. Lock the gun by turning the gun trigger lock to the locked position.
13. Set down the gun and increase the pressure by turning the pressure control knob slowly clockwise.
14. Check the entire system for leaks. If leaks occur, follow the "Pressure Relief Procedure" in this manual before tightening any fittings or hoses.
15. Follow the "Pressure Relief Procedure" in this manual before changing from solvent to paint.

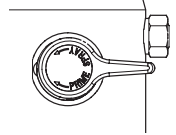
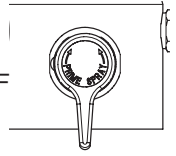


Trigger lock in locked position.

! Be sure to follow the pressure relief procedure when shutting down the sprayer for any purpose, including servicing or adjusting any part of the spray system, changing or cleaning spray tips, or preparing for cleanup.

Painting

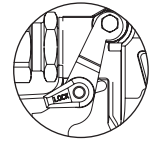
1. Place the siphon tube into a container of paint.
2. Place the return hose into a metal waste container.
3. Set the pressure to minimum by turning the pressure control knob to the "MIN" setting.
4. Move the PRIME/SPRAY valve down to the PRIME position.
5. Turn on the sprayer by moving the ON/OFF switch to the ON position.
6. Allow the sprayer to run until paint is coming through the return hose into the metal waste container.
7. Turn off the sprayer by moving the ON/OFF switch to the OFF position.
8. Remove the return hose from the waste container and place it in its operating position above the container of paint.
9. Move the PRIME/SPRAY valve up to the SPRAY position.
10. Turn on the sprayer.
11. Unlock the gun by turning the gun trigger lock to the unlocked position.



! Ground the gun by holding it against the edge of the metal container while flushing. Failure to do so may lead to a static electric discharge, which may cause a fire.



12. Trigger the gun into the metal waste container until all air and solvent is flushed from the spray hose and paint is flowing freely from the gun.
13. Lock the gun by turning the gun trigger lock to the locked position.
14. Turn off the sprayer.
15. Attach tip guard and tip to the gun as instructed by the tip guard or tip manuals.



Trigger lock in locked position.

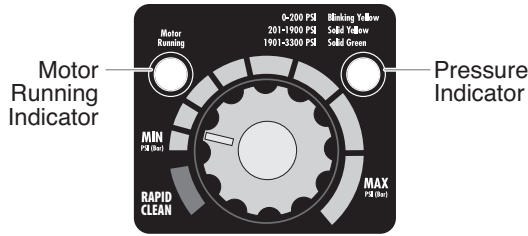
! POSSIBLE INJECTION HAZARD. Do not spray without the tip guard in place. Never trigger the gun unless the tip is in either the spray or the unclog position. Always engage the gun trigger lock before removing, replacing or cleaning tip.

16. Turn on the sprayer.
17. Increase the pressure by turning the pressure control knob slowly clockwise and test the spray pattern on a piece of cardboard. Adjust the pressure control knob until the spray from the gun is completely atomized. Try to keep the pressure control knob at the lowest setting that maintains good atomization.

NOTE: Turning the pressure up higher than needed to atomize the paint will cause premature tip wear and additional overspray.

Control Panel Indicators

The following is a description of the control panel indicators.



Pressure Indicator

The pressure indicator shows the current operating pressure of the sprayer. It has three different indications: blinking yellow, solid yellow, and solid green.

Blinking Yellow

When the pressure indicator is blinking yellow, the sprayer is operating between 0 and 200 PSI. A blinking yellow pressure indicator means:

- The sprayer is plugged in and turned “ON”
- The sprayer is at priming pressure (little or no pressure)
- It is safe to move the PRIME/SPRAY valve between positions
- It is safe to change or replace the spray tip

NOTE: If the pressure indicator begins blinking yellow when the pressure control knob is set at a higher pressure and the PRIME/SPRAY valve is in the SPRAY position, either the spray tip is worn or the sprayer is in need of service/repair.

Solid Yellow

When the pressure indicator is solid yellow, the sprayer is operating between 201 and 1900 PSI. A solid yellow pressure indicator means:

- The sprayer is at the proper pressure setting for spraying stain, lacquer, varnish, and multi-colors
- If the pressure indicator goes to solid yellow when the pressure is set so that it starts at solid green, it indicates one of the following:
 - Tip Wear Indicator** — when spraying with latex or at high pressure the solid yellow appears. This means the tip is worn and needs to be replaced.
 - Tip Too Large** — when a tip that is too large for the sprayer is put in the gun, the pressure indicator will turn from solid green to solid yellow.
 - Fluid Section Wear** — if a solid yellow pressure indicator appears when using a new tip and the pressure is set at maximum, service may be required (worn packings, worn piston, stuck valve, etc...).

Solid Green

When the pressure indicator is solid green, the sprayer is operating between 1901 and 3300 PSI. A solid green pressure indicator means:

- The sprayer is at the proper pressure setting for spraying oil-based and latex house paints
- The sprayer is operating at peak performance at a high pressure setting

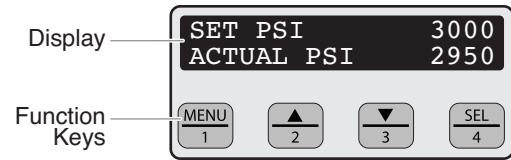
Motor Running Indicator

The Motor Running indicator is on when the motor is commanded to run. This indicator is used by service centers to troubleshoot motor problems.

NOTE: If the motor running and pressure indicators blink alternately, it means the motor has overheated. Turn pump OFF and allow to cool.

Digi-Trac™ Control System Operation

The Digi-Trac™ Control System is an optional add-on that increases the functionality of the sprayer. It is installed directly below the pressure control knob on the control panel. It consists of a display and four function keys. The display shows various menu screens that allow the user to customize and monitor sprayer operation using the function keys.



Function Keys

The function keys are numbered 1–4. Each key is labeled with an additional function as well.

#1/Menu Key

Pressing the #1 key scrolls through the available menu screens or performs a function described on the active menu screen.

#2/+ Key

Pressing the #2 key performs a function described on the active menu screen or increases a value.

#3/- Key

Pressing the #3 key performs a function described on the active menu screen or decrease a value.

#4/Select Key

Pressing the #4 key selects the active menu screen or performs a function described on the active menu screen.

Menu Screens

Several menu screens are available for the user to customize and monitor sprayer operation. They include Main Screen, User Pre-Sets, Volume Pumped, Job Volume, Unit Serial #, Timers, Job Timers, Service Time, Pressure, Security Code, Prime, and RAPID CLEAN.

Main Screen

The Main Screen is the default screen for the control system at sprayer startup.

```
SET PSI      3000
ACTUAL PSI   2950
```

Pressing the #2 key switches between PSI and MPa units of measure. Press the #1 key to scroll through the remaining menu screens.

Gallons Pumped Screen

The Gallons Pumped screen shows the total number of gallons or liters sprayed by the sprayer.

```
GALLONS PUMPED
MENU-1      SELECT-4
```

To select the Gallons Pumped screen, press the #4 key.

```
GALLONS XXXXXX
PRESS 1 FOR MENU
```

Job Gallons Screen

The Job Gallons screen allows the user to reset a gallon counter to track usage on specific jobs.

```
JOB GALLONS
MENU-1      SELECT-4
```

To select the Job Gallons screen, press the #4 key.

```
JOB GALLONS   XXXX
RESET-3      MENU-1
```

Unit Serial # Screen

The Unit Serial # screen shows the sprayers serial number.

```
UNIT SERIAL #
MENU-1      SELECT-4
```

To select the Unit Serial # screen, press the #4 key.

```
SER # XXXXXXXXXXXX
PRESS 1 FOR MENU
```

Timers Screen

The Timers screen shows the total time the sprayer has been turned on as well as the total time the sprayer has been running (pumping).

To select the Timers screen, press the #4 key.

TIMERS
MENU-1 SELECT-4

ON TIME XXXX:XX
RUN TIME XXXX:XX

Job Timers Screen

The Job Timers screen allows the user to reset the "ON TIME" and "RUN TIME" to track time on specific jobs.

To select the Job Timers screen, press the #4 key. The screen will toggle between the timers and a screen that allows the user to reset the timers.

JOB TIMERS
MENU-1 SELECT-4

ON TIME XXXX:XX
RUN TIME XXXX:XX

Service Time Screen

The Service Time screen allows the user to set a service time interval (in hours). Below the set time, the screens shows the current amount of hours on the sprayer. To select the Service Timer screen, press the #4 key.

The screen will toggle between the service hours and a screen that allows the user to change the service time interval.

When the service time interval is set and met by the run hours, the display will toggle between the "Main screen" and a "Service Required" screen at sprayer startup. To stop the toggling, scroll to the "Service Time" screen and either set a new service time interval or set the service time to "0".

Pressure Screen

The Pressure screen allows the user to see the current set point pressure as well as the actual working pressure.

To select the Pressure screen, press the #4 key. This screen is also the Main Screen.

SERVICE TIME
MENU-1 SELECT-4

SERVICE @ XXXHR
RUN HOURS XX

PRESSURE
MENU-1 SELECT-4

SET PSI 3000
ACTUAL PSI 2950

Security Code Screen

The Security Code screen allows the user to set a four digit security code to prevent unauthorized use of the sprayer. If a security code has been set, the control system display will ask for the code at startup. If the correct code is entered, the display will show the Main Screen and the sprayer will operate. If the wrong code is entered, the display will continue to ask for the correct code and the sprayer will be disabled. To set or change the security code, press the #2 key.

SECURITY CODE
MENU-1 CHANGE-2

NOTE: If the sprayer is new, no security code is set and the Main Screen will appear at startup. Also, when setting a security code for the first time, the "Enter Old Code Number" screen will not appear.

Enter the old security code number to access the screen that allows the code change. If the wrong code is entered, the display will continue to ask for the correct code and the security code cannot be changed.

ENTER OLD CODE
NUMBER

Enter the new security code. Once the new code is entered, the display will automatically ask that the new code be re-entered for verification. If the same new code is re-entered, the display will confirm that the new code has been accepted and return to the Main Screen. If the new code is re-entered incorrectly, the display will return to the "Enter New Code Number" screen and the process will repeat.

ENTER NEW CODE
NUMBER

NOTE: To inactivate the Anti-Theft Digital Lockout security function, enter "1111" at the "Enter New Code Number" screen (this is the default code that leaves the sprayer unlocked). As a result, the Main Screen will appear at sprayer startup.

Prime Screen

The Prime screen appears when the pressure control knob is set at the "MIN" setting.

PRIME

Rapid Clean Screen

The Rapid Clean screen appears when the pressure control knob is set at the RAPID CLEAN position and the PRIME/SPRAY valve is in the PRIME position.

RAPID CLEAN
ACTUAL PSI XXXX

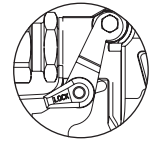
NOTE: If there is no action at any menu screen for 30 seconds, the display will go back to the Main Screen.

Pressure Relief Procedure

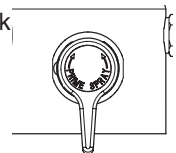


Be sure to follow the pressure relief procedure when shutting the unit down for any purpose, including servicing or adjusting any part of the spray system, changing or cleaning spray tips, or preparing for cleanup.

1. Lock the gun by turning the gun trigger lock to the locked position.
2. Turn off the sprayer by moving the ON/OFF switch to the OFF position.
3. Turn the pressure control knob counterclockwise to its OFF position in the black zone.
4. Unlock the gun by turning the gun trigger lock to the unlocked position.
5. Hold the metal part of the gun firmly to the side of a metal container to ground the gun and avoid a build up of static electricity.
6. Trigger the gun to remove any pressure that may still be in the hose.
7. Lock the gun by turning the gun trigger lock to the locked position.
8. Move the PRIME/SPRAY valve down to the PRIME position.



Trigger lock in locked position.



Spraying



POSSIBLE INJECTION HAZARD. Do not spray without the tip guard in place. Never trigger the gun unless the tip is in either the spray or the unclog position. Always engage the gun trigger lock before removing, replacing, or cleaning tip.

Spraying Technique

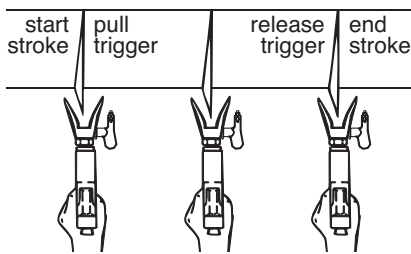
The following techniques, if followed, will assure professional painting results.

Hold the gun perpendicular to the surface and always at equal distance from the surface. Depending on the type of material, surface, or desired spray pattern, the gun should be held at a distance of 12 to 14 inches (30 to 35 cm).

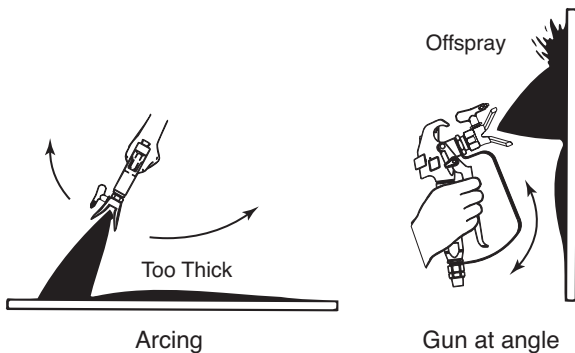
Move the gun either across or up and down the surface at a steady rate. Moving the gun at a consistent speed conserves material and provides even coverage. The correct spraying speed allows a full, wet coat of paint to be applied without runs or sags.

Holding the gun closer to the surface deposits more paint on the surface and produces a narrower spray pattern. Holding the gun farther from the surface produces a thinner coat and wider spray pattern. If runs, sags, or excessive paint occur, change to a spray tip with a smaller orifice. If there is an insufficient amount of paint on the surface or you desire to spray faster, a larger orifice tip should be selected.

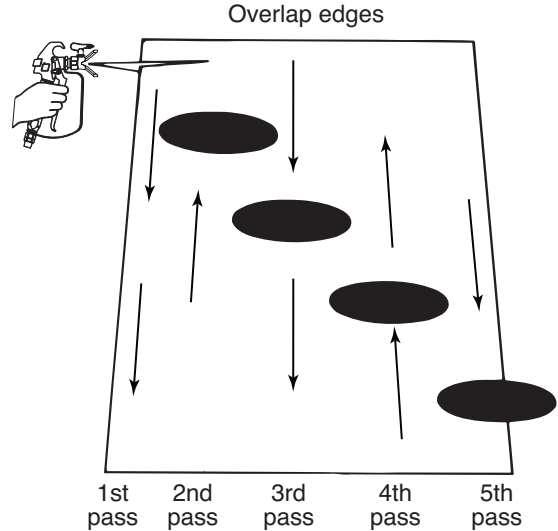
Maintain uniform spray stroke action. Spray alternately from left to right and right to left. Begin movement of the gun before the trigger is pulled.



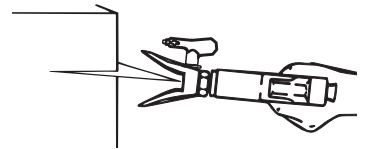
Avoid arcing or holding the gun at an angle. This will result in an uneven finish.



Proper lapping (overlap of spray pattern) is essential to an even finish. Lap each stroke. If you are spraying horizontally, aim at the bottom edge of the preceding stroke, so as to lap the previous pattern by 50%.



For corners and edges, split the center of the spray pattern on the corner or edge and spray vertically so that both adjoining sections receive approximately even amounts of paint.



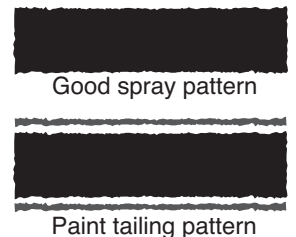
When spraying with a shield, hold it firmly against the surface. Angle the spray gun slightly away from the shield and toward the surface. This will prevent paint from being forced underneath.

Shrubs next to houses should be tied back and covered with a canvas cloth. The cloth should be removed as soon as possible. Titan gun extensions are extremely helpful in these situations.

Nearby objects such as automobiles, outdoor furniture, etc. should be moved or covered whenever in the vicinity of a spray job. Be careful of any other surrounding objects that could be damaged by overspray.

Practice

1. Make sure that the paint hose is free of kinks and clear of objects with sharp cutting edges.
3. Set the pressure to minimum by turning the pressure control knob to the "Min" setting in the yellow zone.
3. Move the PRIME/SPRAY valve up to its SPRAY position.
4. Turn the pressure control knob clockwise to its highest setting in the green zone. The paint hose should stiffen as paint begins to flow through it.
5. Unlock the gun trigger lock.
6. Trigger the spray gun to bleed air out of the hose.
7. When paint reaches the spray tip, spray a test area to check the spray pattern.
8. Use the lowest pressure setting necessary to get a good spray pattern. If the pressure is set too high, the spray pattern will be too light. If the pressure is set too low, tailing will appear or the paint will spatter out in gobs rather than in a fine spray.



Cleanup



Special cleanup instructions for use with flammable solvents:

- Always flush spray gun preferably outside and at least one hose length from spray pump.
- If collecting flushed solvents in a one gallon metal container, place it into an empty five gallon container, then flush solvents.
- Area must be free of flammable vapors.
- Follow all cleanup instructions.

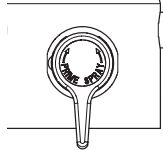
IMPORTANT: The sprayer, hose, and gun should be cleaned thoroughly after daily use. Failure to do so permits material to build up, seriously affecting the performance of the unit.



Always spray at minimum pressure with the gun nozzle tip removed when using mineral spirits or any other solvent to clean the sprayer, hose, or gun. Static electricity buildup may result in a fire or explosion in the presence of flammable vapors.

1. Follow the "Pressure Relief Procedure" found in the Operation section of this manual.
2. Remove the gun tip and tip guard and clean with a brush using the appropriate solvent.
3. Place the siphon tube into a container of the appropriate solvent. Examples of the appropriate solvent are water for latex paint or mineral spirits for oil-based paints.
4. Place the return hose into a metal waste container.
5. Move the PRIME/SPRAY valve down to its PRIME position.

NOTE: Hold the return hose in the waste container when moving the PRIME/SPRAY valve to PRIME in case the sprayer is pressurized.



6. Set the pressure to RAPID CLEAN by turning the pressure control knob to its RAPID CLEAN position.
7. Turn on the sprayer by moving the ON/OFF switch to the ON position.
8. Allow the solvent to circulate through the unit and flush the paint out of the return hose into the metal waste container.
9. Turn off the sprayer by moving the ON/OFF switch to the OFF position.
10. Move the PRIME/SPRAY valve up to its SPRAY position.
11. Turn on the sprayer.



Ground the gun by holding it against the edge of the metal container while flushing. Failure to do so may lead to a static electric discharge, which may cause a fire.



12. Trigger the gun into the metal waste container until the paint is flushed out of the hose and solvent is coming out of the gun.
13. Continue to trigger the spray gun into the waste container until the solvent coming out of the gun is clean.

NOTE: For long-term or cold weather storage, pump mineral spirits through the entire system. For short-term storage when using latex paint, pump water mixed with Titan Liquid Shield through the entire system (see the Accessories section of this manual for part number).

14. Follow the "Pressure Relief Procedure" found in the Operation section of this manual.
15. Unplug the unit and store in a clean, dry area.

IMPORTANT: Do not store the unit under pressure.

Maintenance



Before proceeding, follow the Pressure Relief Procedure outlined previously in this manual. Additionally, follow all other warnings to reduce the risk of an injection injury, injury from moving parts or electric shock. Always unplug the sprayer before servicing!

General Repair and Service Notes

The following tools are needed when repairing this sprayer:

Phillips Screwdriver	3/8" Hex Wrench
Needle Nose Pliers	5/16" Hex Wrench
Adjustable Wrench	1/4" Hex Wrench
Rubber Mallet	3/16" Hex Wrench
Flat-blade Screwdriver	5/32" Hex Wrench
	5/64" Hex Wrench

1. Before repairing any part of the sprayer, read the instructions carefully, including all warnings.

IMPORTANT: Never pull on a wire to disconnect it. Pulling on a wire could loosen the connector from the wire.

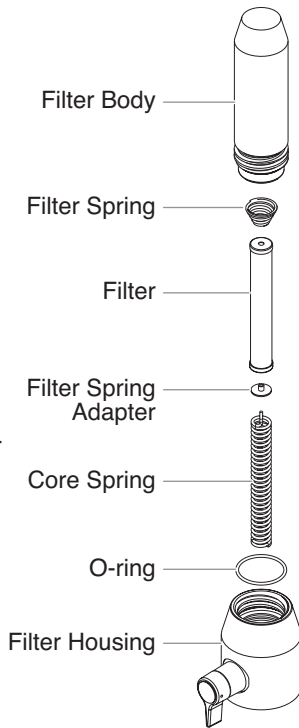
2. Test your repair before regular operation of the sprayer to be sure that the problem is corrected. If the sprayer does not operate properly, review the repair procedure to determine if everything was done correctly. Refer to the Troubleshooting Charts to help identify other possible problems.
3. Make certain that the service area is well ventilated in case solvents are used during cleaning. Always wear protective eyewear while servicing. Additional protective equipment may be required depending on the type of cleaning solvent. Always contact the supplier of solvents for recommendations.
4. If you have any further questions concerning your Titan Airless Sprayer, call Titan:

Customer Service (U.S.)	1-800-526-5362
Fax	1-800-528-4826
Customer Service (Canada).....	1-800-565-8665
Fax.....	1-905-856-8496
Customer Service (International)	1-201-337-1240
Fax	1-201-405-7449

Replacing the Filters

Pump Filter

1. Loosen and remove the filter body by hand.
2. Slip the filter off of the core spring.
3. Inspect the filter. Based on inspection, clean or replace the filter.
4. Inspect the o-ring. Based on inspection, clean or replace the o-ring.
5. Slide the new or cleaned filter over the core spring with the filter spring adapter in place. Push the filter into the center of the filter housing.
6. Slide the filter body over the filter and thread it into the filter housing until secure.



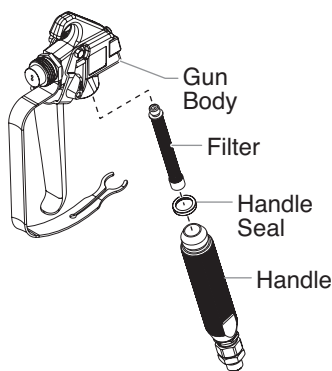
NOTE: The filter housing should be hand-tightened, but make sure the filter housing is seated fully into the pump block.

Gun Filter

1. Move the gun trigger lock to the unlocked position.
2. Loosen and remove the handle from the gun body.
3. Turning clockwise, unscrew the filter from the gun body.

NOTE: Left-handed threads require turning the filter clockwise to remove.

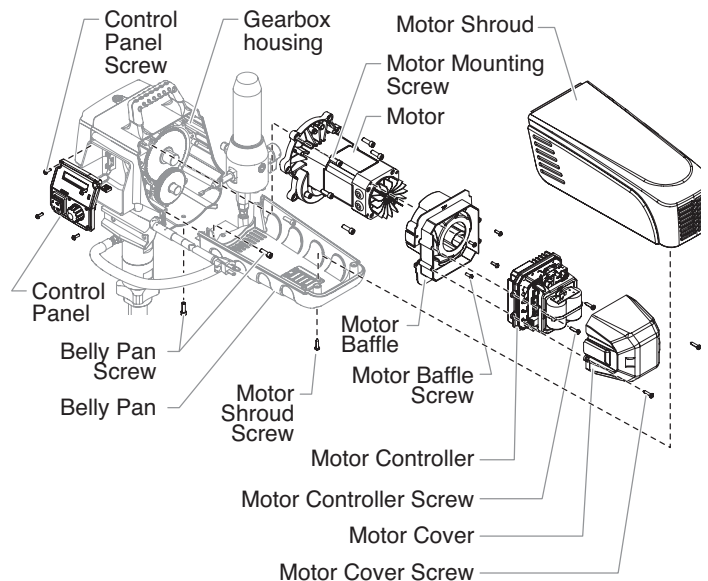
4. Turning counterclockwise, screw the new or cleaned filter into the gun body.
5. Make sure the handle seal is in position and thread the handle into the gun body until secure.
6. Move the gun trigger lock to the locked position.



NOTE: For more detail, part number information, and complete assembly drawings, please see the LX-80II Professional Airless Gun Owner's Manual (P/N 313-2293).

Replacing the Motor Assembly

1. Unplug the unit.
2. Loosen and remove the two (2) motor shroud screws. Remove the motor shroud.
3. Loosen and remove the three (3) belly pan screws. Remove the belly pan.
4. Loosen and remove the two (2) motor cover screws. Remove the motor cover.
5. Disconnect all wires between the motor and the sprayer.
6. Loosen and remove the four (4) control panel screws. Remove the control panel.
7. Disconnect the wires between the motor and the control panel.
8. Loosen and remove the two (2) motor controller screws. Remove the motor controller.
9. Loosen and remove the four (4) motor baffle screws. Remove the motor baffle.
10. Loosen and remove the six (6) motor mounting screws.
11. Pull the motor out of the gearbox housing.
12. With the motor removed, inspect the gears in the gearbox housing for damage or excessive wear. Replace the gears, if necessary.
13. Install the new motor into the gearbox housing.
14. Secure the motor with the six (6) motor mounting screws.
15. Reconnect the wires between the sprayer and the new motor. (refer to the electrical schematic in the Parts List section of this manual).
16. Place the baffle over the end of the motor assembly. Secure with the four (4) motor baffle screws.
17. Place motor controller back into place behind the motor baffle. Secure with the two (2) motor controller screws.
18. Reconnect all wires between the motor and sprayer.
19. Reconnect the wires between the motor and the control panel.
20. Replace control panel and secure with four (4) control panel screws.
21. Place the motor cover back over the motor controller. Secure with the two (2) motor cover screws.
22. Put the belly pan back in place and secure with the three (3) belly pan screws.
23. Slide the motor shroud over the motor assembly.
24. Secure the motor shroud with the two (2) motor shroud screws.

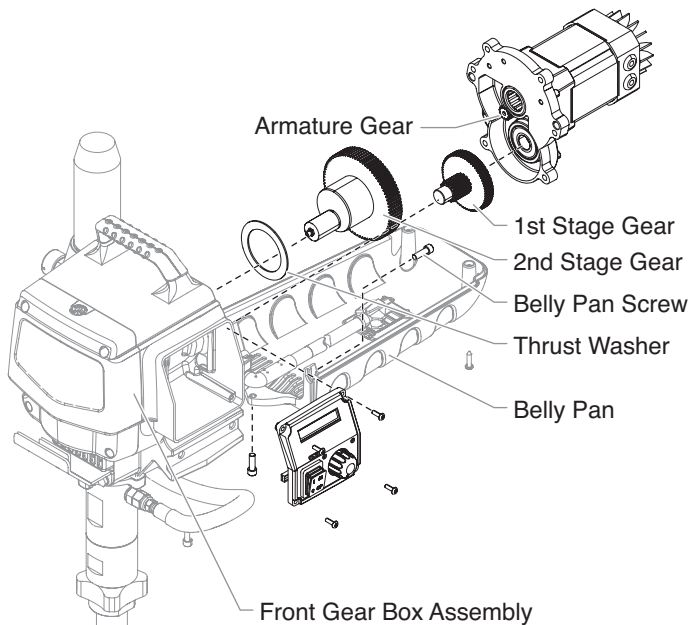


Replacing the Gears

1. Follow steps 1-11 in **Replacing the Motor Assembly** (page 10) to remove the motor and control panel.
2. Inspect the armature gear on the end of the motor for damage or excessive wear. If the gear is completely worn out, replace the motor assembly.
3. Remove and inspect the 1st stage gear and 2nd stage gear assemblies for damage or excessive wear. Replace, if necessary.
4. Inspect the front gear box assembly for damage or excessive wear. If damaged or worn, replace the front gear box assembly.

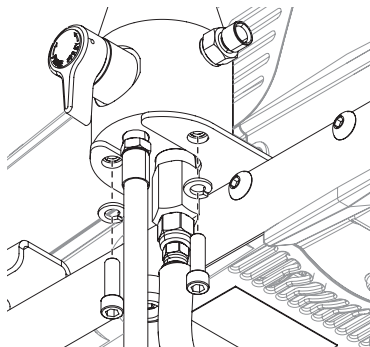
NOTE: Clean and refill the gear box cavity up to the rear face of each gear with Lubriplate (P/N 314-171).

5. Reinstall the motor into the gearbox housing.
6. Follow steps 13-24 in **Replacing the Motor Assembly** (page 10) to replace the motor and control panel.



Replacing the Transducer

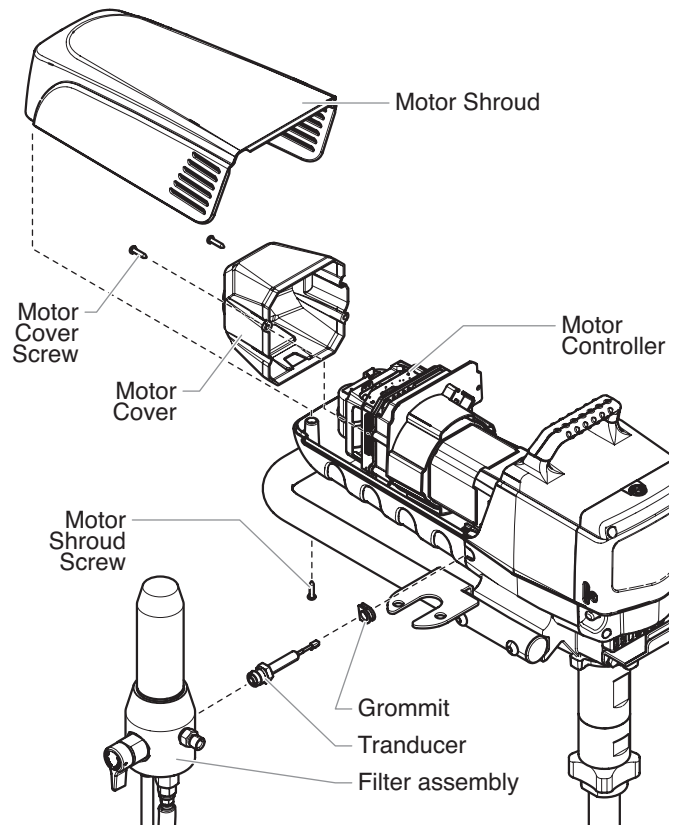
1. Unplug the unit.
2. Loosen and remove the two (2) filter assembly bolts. Slide the filter assembly from the cart.
3. Loosen and remove the two (2) motor shroud screws. Remove the motor shroud.
4. Loosen and remove the two (2) motor cover screws. Remove the motor cover.
5. Disconnect the transducer wire from the motor controller.
6. Pull the grommet out of the mounting plate and slide it up the shaft of the transducer until it is clear of the mounting plate.
7. Using a wrench, loosen and remove the transducer from the filter housing. Carefully thread the transducer wire out through the mounting plate.



8. Slide the grommet off of the old transducer and onto the new transducer.
9. Thread the new transducer wire through the mounting plate and back to the motor controller.
10. Thread the new transducer into the filter housing and tighten securely with a wrench.

NOTE: Make sure the o-ring on the transducer is in place before threading the transducer into the filter housing.

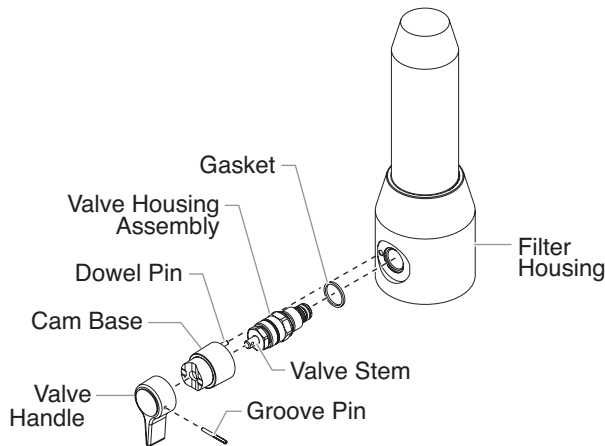
11. Push the grommet into the mounting plate.
12. Connect the transducer wire to the motor controller (refer to the electrical schematic in the Parts List section of this manual).
13. Place the motor cover back over the motor controller. Secure with the two (2) motor cover screws.
14. Slide the motor shroud over the motor assembly.
15. Secure the motor shroud with the two (2) motor shroud screws.



Replacing the PRIME/SPRAY Valve

Perform the following procedure using PRIME/SPRAY valve replacement kit P/N 800-915.

1. Push the groove pin out of the valve handle.
2. Remove the valve handle and the cam base.
3. Using a wrench, loosen and remove the valve housing assembly.
4. Make sure the gasket is in place and thread the new valve housing assembly into the filter block. Tighten securely with a wrench.
5. Place the cam base over the valve housing assembly. Lubricate the cam base with grease and line up the cam with the filter block using the dowel pin.
6. Line up the hole on the valve stem with the hole in the valve handle.
7. Insert the groove pin into the valve handle and through the valve stem to secure the valve handle in position.



Servicing the Fluid Section

Use the following procedures to service the valves and repack the fluid section. Perform the following steps before performing any maintenance on the fluid section.

1. Loosen and remove the four front cover screws. Remove the front cover.
2. Set the pressure to minimum by turning the pressure control knob to the "MIN" setting. The Digi-Trac™ screen should say "PRIME".
3. Press the #1 key on the Digi-Trac™ control panel. The "CREEP MODE" screen will now appear.
4. Slowly turn the pressure control knob clockwise to increase the pressure. The crankshaft/slider assembly will begin to move very slowly.
5. When it reaches the bottom, dead-center of its stroke, turn the pressure control knob back to the "MIN" setting. The crankshaft/slider assembly should stop.
6. Turn the pump off and unplug the unit.



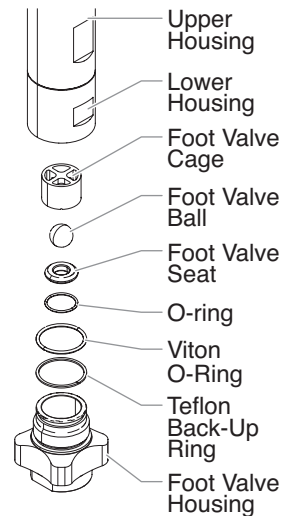
Before proceeding, follow the Pressure Relief Procedure outlined previously in this manual. Additionally, follow all other warnings to reduce the risk of an injection injury, injury from moving parts or electric shock. Always unplug the sprayer before servicing!

7. Remove the return hose from the clamp on the siphon tube.
8. Unscrew the siphon tube/siphon set from the foot valve.
9. Loosen and remove the high-pressure hose from the nipple on the back of the upper housing of the fluid section.

Servicing the Valves

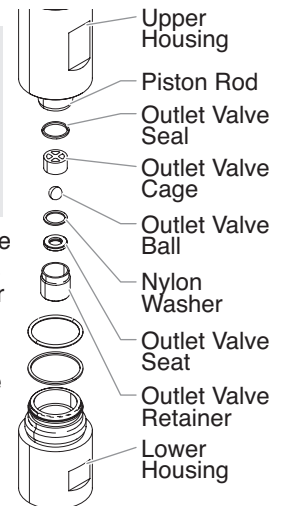
The design of the fluid section allows access to the foot valve and seat as well as the outlet valve and seat without completely disassembling the fluid section. It is possible that the valves may not seat properly because of debris stuck in the foot valve seat or outlet valve seat. Use the following instructions to clean the valves and reverse or replace the seats.

1. Loosen and remove the foot valve housing from the lower housing.
2. Clean out any debris in the foot valve housing and examine the housing and the foot valve seat. If the seat is damaged, reverse or replace the seat.
3. Using two wrenches, hold the upper housing at the wrench flats with one wrench and loosen the lower housing with the other. Remove the lower housing.
4. Using a 3/4" wrench, loosen and remove the outlet valve retainer from the piston rod.



NOTE: Always service the outlet valve with the piston rod attached to the pump. This will prevent the piston rod from rotating during disassembly of the outlet valve.

5. Clean out any debris and examine the retainer and outlet valve seat. If the seat is damaged, reverse or replace the seat.
6. Remove, clean, and inspect the outlet valve cage and outlet valve ball. Replace if they are worn or damaged.
7. Reassemble the valves by reversing the steps above.

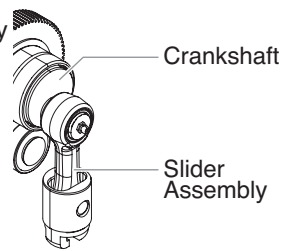


NOTE: During reassembly, make sure the Viton o-rings and the Teflon back-up rings between the upper housing and lower housing as well as between the lower housing and the foot valve housing are lubricated with grease and in position.

Repacking the Fluid Section

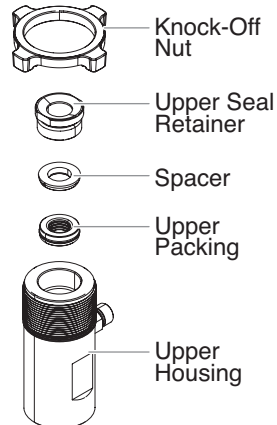
1. Remove the foot valve assembly and the lower housing using the steps in the "Servicing the Valves" procedure above.

NOTE: The outlet valve does not need to be disassembled from the piston rod for this procedure.

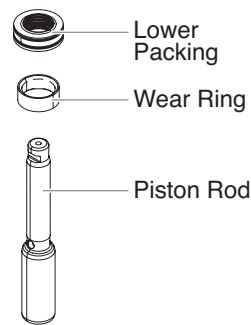


2. Tap the knock-off nut with a soft hammer so that it turns counterclockwise and loosens.
3. Turn the fluid section counterclockwise to remove it from the gear box housing.
4. Place the upper housing upright in a vise by clamping on the wrench flats.

NOTE: Do not over-tighten the vise. Damage to the upper housing may occur.



5. Using a wrench, remove the upper seal retainer.
6. Slide the piston rod forward until the piston is out of the T-slot on the slider assembly.
7. Pull the piston out through the bottom of the upper housing.
8. Inspect the piston rod for wear and replace if necessary.
9. Remove the upper and lower packings from the upper housing.



NOTE: Be careful not to scratch, score, or otherwise damage the upper housing during removal of the packings.

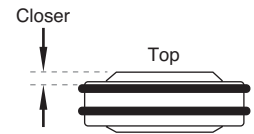
10. Clean the upper housing. Inspect the upper housing for damage and replace if necessary.
11. Locate the new upper and lower packings and pack the areas between the packing lips with grease. Lubricate the o-rings on the exterior of the packings with grease.
12. Insert the upper packing into the top of the upper housing with the raised lip on the packing facing down.
13. Insert the spacer on top of the upper packing.
14. Thread the upper seal retainer into the upper housing and torque to 25-30 ft. lbs.
15. Pre-form the lower packing using the lower packing sizing tool (included in the repacking kit).

Install upper packing with raised lip facing down.



16. Insert the lower packing partially into the bottom of the upper housing so that the side that has the o-ring closest to the face of the packing faces up.
17. Push the lower packing into position using the lower packing insertion tool (see Fluid Section Assembly parts list for lower packing insertion tool P/N).
18. Place the piston insertion tool (included in the repacking kit) over the top of the piston rod.
19. Insert the piston rod into the bottom of the upper housing, through the lower packing, through the upper packing, and out through the upper seal retainer.

Install lower packing with the side that has the o-ring closest to the face of the packing facing up.



NOTE: When repacking the fluid section, make sure the raised lip on the bottom of the lower packing is fully outside the packing around the piston rod after insertion of the piston rod.

20. Remove the piston insertion tool from the top of the piston rod.
21. Slide the top of the piston rod into the T-slot on the slider assembly.
22. Turn the knock-off nut counterclockwise until it is flush against the upper housing.
23. Lubricate the threads on the upper housing with anti-seize compound. Remove the upper housing from the vise.
24. Thread the upper housing into the gear box housing, turning clockwise.
25. Continue to turn the upper housing clockwise until the knock-off nut is flush against the gear box housing.

NOTE: If the nipple on the upper housing does not face the back of the unit, turn the upper housing counterclockwise until the nipple faces the back of the unit. Do not turn the upper housing more than one full turn.

26. Once the nipple is positioned, turn the knock-off nut clockwise until it contacts the gear box housing.
27. Tap the knock-off nut with a soft hammer to tighten it against the gear box housing.
28. Making sure that the Viton o-ring and Teflon back-up ring are lubricated and in place, thread the lower housing into the upper housing. Using two wrenches, hold the upper housing at the wrench flats with one wrench and tighten the lower housing with the other.
29. Attach the high-pressure hose to the nipple on the back of the housing and tighten with a wrench. Do not kink the hose.

NOTE: For low rider units, make sure the hose does not touch the cart frame. If it does, reposition the nipple by turning the upper housing until the hose is clear of the frame and the nipple is within 45° of the back of the unit.

30. Making sure that the Viton o-ring and Teflon back-up ring are lubricated and in place, reassemble the foot valve assembly and thread it into the lower housing. Tighten securely.
31. Thread the siphon tube/siphon set into the foot valve and tighten securely. Make sure to wrap the threads on the down tube/siphon tube adapter with Teflon tape before assembly.
32. Replace the return hose into the clamp on the siphon tube.
33. Place the front cover on the gearbox housing and secure in position using the four front cover screws.
34. Turn on the sprayer by following the procedure in the "Operation" section of this manual and check for leaks.

NOTE: Repacking kit P/N 805-1010 is available. For best results use all parts supplied in this kit.

Troubleshooting

Problem

Cause

Solution

A. The unit will not run.

1. The unit is not plugged in.
2. Tripped breaker.
3. The pressure is set too low (pressure control knob set at minimum setting does not supply power to unit).
4. Faulty or loose wiring.
5. Excessive motor temperature.
6. ON/OFF switch is defective.

1. Plug the unit in.
2. Reset the breaker.
3. Turn the pressure control knob clockwise to supply power to the unit and increase the pressure setting.
4. Inspect or take to a Titan authorized service center.
5. Allow motor to cool.
6. Replace the ON/OFF switch.

B. The unit will not prime.

1. The PRIME/SPRAY valve is in the SPRAY position.
2. Air leak in the siphon tube/siphon assembly.
3. The pump filter and/or inlet screen is clogged.
4. The siphon tube/siphon assembly is clogged.

1. Rotate the PRIME/SPRAY valve clockwise to the PRIME position.
2. Check the siphon tube/siphon assembly connection and tighten or re-tape the connection with Teflon tape.
3. Remove the pump filter element and clean. Remove the inlet screen and clean.
4. Remove the siphon tube/siphon assembly and clean.

C. The unit will not build or maintain pressure.

1. The spray tip is worn.
2. The spray tip is too large.
3. The pressure control knob is not set properly.
4. The pump filter, gun filter, or inlet screen is clogged.
5. Material flows from the return hose when the PRIME/SPRAY valve is in the SPRAY position.
6. Air leak in the siphon tube/siphon assembly.
7. There is external fluid leak.
8. There is an internal fluid section leak (packings are worn and/or dirty, valve balls are worn).
9. Worn valve seats

1. Replace the spray tip following the instructions that came with the spray gun.
2. Replace the spray tip with a tip that has a smaller orifice following the instructions that came with the spray gun.
3. Turn the pressure control knob clockwise to increase the pressure setting.
4. Remove the pump filter element and clean. Remove the gun filter and clean. Remove the inlet screen and clean.
5. Clean or replace the PRIME/SPRAY valve.
6. Check the siphon tube/siphon assembly connection and tighten or re-tape the connection with Teflon tape.
7. Check for external leaks at all connections. Tighten connections, if necessary.
8. Clean the valves and service the fluid section following the "Servicing the Fluid Section" procedure in the Maintenance section of this manual.
9. Reverse or replace the valve seats following the "Servicing the Fluid Section" procedure in the Maintenance section of this manual.
10. Take unit to a Titan authorized service center.

D. Fluid leakage at the upper end of the fluid section.

1. The upper packings are worn.
2. The piston rod is worn.

1. Repack the pump following the "Servicing the Fluid Section" procedure in the Maintenance section of this manual.
2. Replace the piston rod following the "Servicing the Fluid Section" procedure in the Maintenance section of this manual.

E. Excessive surge at the spray gun.

1. Wrong type of airless spray hose.
2. The spray tip worn or too large.
3. Excessive pressure.

1. Replace hose with a minimum of 50' of 1/4" grounded textile braid airless paint spray hose.
2. Replace the spray tip following the instructions that came with the spray gun.
3. Rotate the pressure control knob counterclockwise to decrease spray pressure.

F. Poor spray pattern.

1. The spray tip is too large for the material being used.
2. Incorrect pressure setting.
3. Insufficient fluid delivery.
4. The material being sprayed is too viscous.

1. Replace the spray tip with a new or smaller spray tip following the instructions that came with the spray gun.
2. Rotate the pressure control knob to adjust the pressure for a proper spray pattern.
3. Clean all screens and filters.
4. Add solvent to the material according to the manufacturer's recommendations.

G. The unit lacks power.

1. The pressure adjustment is too low.
2. Improper voltage supply.

1. Rotate the pressure control knob clockwise to increase the pressure setting.
2. Reconnect the input voltage for 120V AC.

Digi-Trac™ Control System Error Messages

The following error message screens appear whenever the Digi-Trac™ Control System detects a problem with the sprayer. Once a problem occurs and the error message appears, the sprayer will shut down.



Before proceeding, follow the Pressure Relief Procedure outlined previously in this manual. Additionally, follow all other warnings to reduce the risk of an injection injury, injury from moving parts or electric shock. Always unplug the sprayer before servicing!

Check Transducer Screen

The Check Transducer screen appears when the transducer has become disconnected or is defective. Take the sprayer to a Titan authorized service center for repair.

CHECK TRANSDUCER

Check Potentiometer Screen

The Check Potentiometer screen appears when the potentiometer has become disconnected or is defective. Take the sprayer to a Titan authorized service center for repair.

CHECK
POTENTIOMETER

Low Voltage Screen

The Low Voltage screen appears when the sprayer shuts down because of low input voltage. Check the power supply and correct the problem. Restart the sprayer by following the “Painting” procedure in the Operation section of this manual.

LOW VOLTAGE

High Motor Temperature Screen

The High Motor Temperature screen appears when the temperature of the motor has risen too high. Take the sprayer to a Titan authorized service center for repair.

HIGH MOTOR
TEMPERATURE

High Mechanical Load

The High Mechanical Load screen appears when the sprayer shuts down because of high current or when the sprayer goes into current fold back mode.. Take the sprayer to a Titan authorized service center for repair.

HIGH MECHANICAL
LOAD



Consignes de sécurité important · Lire toutes ces consignes avant d'utiliser l'appareil. GARDER CES CONSIGNES.



Indique une situation à risque, laquelle, si elle n'est pas évitée, peut entraîner des blessures graves, voire la mort.



Pour réduire les risques d'incendie ou d'explosion, de choc électrique et de blessure, vous devez lire et comprendre les directives figurant dans ce manuel. Familiarisez-vous avec les commandes et l'utilisation adéquate de l'équipement.

DANGER : INJECTION CUTANÉE

A high pressure paint stream produced by this Le jet de haute pression produit par cet appareil peut transpercer la peau et les tissus sous-jacents, causant des blessures graves pouvant entraîner l'amputation.



NE PAS TRAITER ce type de BLESSURE COMME UNE SIMPLE COUPURE! Une amputation peut en résulter. ON doit consulter un médecin sur-le-champ.

La pression maximale de ce pulvérisateur est d'environ 3 300 PSI / 22,8 MPa.

MESURES PRÉVENTIVES :

- Ne pas pointer le pistolet vers une partie du corps.
- Ne pas pointer le pistolet vers une personne ou un animal; ne pas pulvériser non plus de produit dessus.
- NE JAMAIS mettre une partie du corps devant le jet de produit. NE JAMAIS toucher les fuites du flexible de pulvérisation.
- NE JAMAIS mettre la main, même gantée, devant le pistolet (les gants n'offrent aucune protection contre les blessures par injection).
- TOUJOURS verrouiller la détente, arrêter la pompe et relâcher toute la pression avant d'effectuer la maintenance de l'appareil ou de le laisser sans surveillance, d'en nettoyer le protège-embout ou l'embout, ou de remplacer ce dernier. La pression ne sera pas relâchée par le simple arrêt du moteur; pour ce faire, on doit se servir du bouton PRIME/SPRAY (se reporter à la section Comment libérer la pression, du présent manuel).
- TOUJOURS s'assurer que le protège-embout est en place avant de pulvériser. Il est cependant à noter que, s'il assure une certaine protection, ce dispositif joue surtout un rôle préventif.
- TOUJOURS retirer l'embout avant de vidanger ou de nettoyer l'appareil.
- toujours inspecter le flexible avant de commencer; celui-ci peut présenter des fuites attribuables à l'usure, à une flexion excessive ou à un traitement abusif, lesquelles fuites présentent des risques d'injection cutanée. Ne pas utiliser le flexible pour soulever ou tirer l'équipement.
- NE JAMAIS utiliser de pistolet sans verrou de détente et protège-doigts.
- Tous les accessoires (pistolets, embouts, rallonges, flexibles etc.) doivent pouvoir subir une pression nominale de 3 300 PSI / 22,8 MPa ou plus.
- Ne laissez pas l'appareil sous tension ou sous pression quand vous vous en éloignez. Quand vous n'utilisez pas l'appareil, éteignez-le et libérez la pression conformément aux instructions Comment libérer la pression, du présent manuel.
- Vérifiez que toutes les connexions sont bien serrées avant d'utiliser l'appareil. Toute pièce qui n'est pas fixée solidement risque d'être projetée violemment ou d'entraîner la fuite d'un jet de liquide à une pression extrêmement élevée, ce qui pourrait causer des blessures graves.
- Verrouillez toujours la détente quand vous ne pulvériser pas. Vérifiez que le verrou de la détente fonctionne correctement.

REMARQUE À L'INTENTION DES MÉDECINS :

Les injections cutanées sont des lésions traumatiques; il importe donc de les traiter sans délai. On NE DOIT PAS retarder ce traitement sous prétexte de vérifier la toxicité du produit en cause, celle-ci n'étant conséquente que dans le cas d'injection directe de certains produits dans le système sanguin. Il pourrait s'avérer nécessaire de consulter un plasticien ou un spécialiste en chirurgie reconstructive de la main.

DANGER : ÉMANATIONS DANGEREUSES

Certains produits (peintures, solvants, insecticides ou autres) peuvent être nocifs s'ils sont inhalés ou entrent en contact avec l'organisme. Les émanations de ces produits peuvent provoquer de graves nausées, évanouissements ou empoisonnements.



MESURES PRÉVENTIVES :

- Se servir d'un masque ou d'un respirateur s'il y a risque d'inhalation (lire toutes les directives concernant ces dispositifs afin de s'assurer qu'ils offrent la protection requise).
- Porter des lunettes de protection.
- Porter les vêtements de protection prescrits par le fabricant du produit utilisé.



DANGER : EXPLOSION OU INCENDIE

Les émanations de certains produits peuvent exploser ou s'enflammer, et risquent d'entraîner des dommages matériels ou de graves blessures.



MESURES PRÉVENTIVES :

- S'assurer que l'aire de travail est dotée de moyens d'évacuation d'air vicié et d'introduction d'air frais pour éviter l'accumulation de vapeurs inflammables. Les vapeurs dégagées par la peinture ou les solvants peuvent provoquer une explosion ou s'enflammer.
- Ne pas pulvériser de produit dans un endroit clos.
- Ne pas travailler près de sources d'ignition (décharges électrostatiques ou étincelles provoquées par le branchement/débranchement d'appareils ou la commutation d'interrupteurs, d'appareils électriques, flammes nues, veilleuses, objets chauds, etc.). La peinture ou le solvant s'écoulant dans l'équipement peut générer de l'électricité statique.
- Ne pas fumer dans l'aire de travail.
- L'aire de travail doit être munie d'un extincteur en bon état de marche.
- Prévoir un espace d'au moins 7,62 mètres entre la pompe et l'objet à pulvériser s'ils sont dans la même pièce bien ventilée (rallonger le flexible au besoin). Les vapeurs inflammables étant souvent plus lourdes que l'air, l'espace au-dessus du plancher doit être particulièrement bien aéré. La pompe contient des pièces qui produisent des arcs et émettent des étincelles pouvant enflammer les vapeurs.
- Les appareils et objets à l'intérieur ou à proximité de l'aire de travail doivent être adéquatement mis à la terre pour éviter les décharges électrostatiques.
- Veillez à ce que la zone soit propre et exempte de contenants de peinture ou de solvant, chiffons ou autres matériaux inflammables.
- Les flexibles dont on se sert doivent être conçus pour subir les pressions élevées et faits de matériaux conducteurs ou mis à la terre adéquatement; le pistolet sera mis à la terre par le biais de ses raccords aux flexibles.
- Pour les appareils électriques — Le cordon d'alimentation doit être branché à un circuit trifilaire.
- L'appareil doit toujours être vidangé à basse pression, embout retiré, dans un contenant métallique distinct. Tenir le pistolet contre la paroi du contenant de manière à mettre ce dernier à la terre et à prévenir les décharges électrostatiques.
- Toujours respecter les mises en garde et les directives du fabricant des produits et solvants utilisés. On doit connaître les produits contenus dans les peintures et solvants qu'on pulvérise. Lire les fiches techniques santé-sécurité (FTSS) et les étiquettes des contenants fournies avec les peintures et solvants. Suivre les consignes de sécurité du fabricant de peinture et de solvant.
- S'entourer de toutes les précautions possibles lorsqu'on utilise des produits ayant un point d'éclair inférieur à 21°C (70°F). Le point d'éclair est la température à laquelle le liquide peut créer suffisamment de vapeurs et s'enflammer.
- Le plastique est générateur de décharges électrostatiques; ne jamais en suspendre pour fermer une aire de travail ou en utiliser en guise de toile de protection lorsqu'on pulvérise un produit inflammable.
- Se servir de la pression la plus basse possible pour vidanger l'appareil.
- Ne pas pulvériser de produit sur la pompe.





Consignes de sécurité important · Lire toutes ces consignes avant d'utiliser l'appareil. GARDER CES CONSIGNES.

DANGER : EXPLOSION CAUSÉE PAR DES PRODUITS INCOMPATIBLES

Ce type d'explosion peut entraîner des dommages matériels ou des blessures graves.



MESURES PRÉVENTIVES :

- Ne pas utiliser de produits contenant du chlore ou du javellisant.
- Ne pas utiliser de solvants à base de halons comme l'eau de javel, les agents antioissure, le chlorure de méthylène et le trichloroéthane-1-1-1, lesquels ne sont pas compatibles avec l'aluminium.
- Communiquer avec le fournisseur du produit concerné pour en connaître la compatibilité avec l'aluminium.

DANGER : GÉNÉRALITÉS

D'autres dangers peuvent entraîner des dommages matériels ou des blessures graves.

MESURES PRÉVENTIVES :

- Lire toutes les directives et consignes de sécurité avant d'utiliser l'appareil.
- Observer tous les codes locaux, provinciaux, d'état et nationaux régissant la ventilation, la prévention des incendies et le fonctionnement de l'appareil.
- Aux États-Unis, le gouvernement a adopté des normes de sécurité en vertu de l'Occupational Safety and Health Act (OSHA). Le cas échéant, on doit les consulter, notamment les parties 1910 des normes générales et 1926 des normes de construction.
- N'utiliser que les pièces autorisées par le fabricant; les utilisateurs qui choisiront d'utiliser des composants dont les caractéristiques techniques et les exigences en matière de sécurité sont inférieures devront en assumer tous les risques et responsabilités.
- Tous les raccords, les tuyaux et les bouchons de remplissage doivent être fixés solidement en place avant d'utiliser la pompe de pulvérisation. Toute pièce qui n'est pas fixée solidement risque d'être projetée violemment ou d'entraîner la fuite d'un jet de liquide à une pression extrêmement élevée, ce qui pourrait causer des blessures graves.
- Avant chaque utilisation, examiner tous les flexibles afin de confirmer l'absence de coupures, de fuites, d'abrasions ou de renflements. Vérifier également l'intégrité des raccords. Remplacer sans délai les pièces qui semblent présenter des défauts. Ne jamais tenter de réparer un flexible; remplacer ceux qui font défaut par des modèles haute pression, avec mise à la terre.
- Ne faites pas de noeud avec le tuyau et ne le tordez pas trop. Le tuyau à vide peut présenter des fuites suite à l'usure, les nouer ou les mauvais traitements. Une fuite risque d'injecter du produit dans la peau.
- N'exposez pas le tuyau à des températures ou des pressions supérieures à celles spécifiées par le fabricant.
- Ne pas pulvériser à l'extérieur par grands vents.
- Porter des vêtements aptes à protéger la peau et les cheveux du produit utilisé.
- Ne pas utiliser le pistolet ou ne pas pulvériser de produits en présence d'enfants à proximité. Éloigner les enfants de l'équipement en tout temps.
- Ne pas s'étirer ni ne travailler sur un support instable. Toujours garder les deux pieds au sol pour rester en équilibre.
- Se servir de la pression la plus basse possible pour vidanger l'appareil.
- Rester vigilant et faire attention à ce que l'on fait.
- Ne pas se servir de l'équipement en cas de fatigue ou si vos aptitudes sont affaiblies par la consommation de drogues ou de boissons alcoolisées.
- Pour les appareils électriques — Débranchez toujours le cordon électrique de la prise avant de travailler sur l'équipement.
- N'utilisez pas le tuyau pour tirer ou soulever l'équipement.
- Ne pas soulever par la poignée de chariot en chargeant ou en déchargeant.

Instructions de mise à la terre

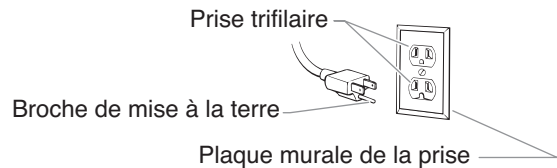
Cet appareil doit être mis à la terre. La mise à la terre réduit les risques d'électrocution lors d'un court-circuit en permettant au courant de s'écouler par le fil de mise à la terre. Cet appareil est muni d'un cordon électrique avec fil de mise à la terre ainsi que d'une fiche de terre. La fiche doit être branchée sur une prise installée correctement et mise à la terre conformément à la réglementation et aux codes en vigueur.

MISE EN GARDE - Le fait de ne pas brancher correctement la fiche trifilaire de l'appareil peut entraîner des risques de choc électrique.



Si on doit réparer ou remplacer le cordon ou la fiche, ne pas raccorder le fil de terre à la borne des broches plates (lames) de cette dernière. Ce fil, normalement vert (avec ou sans rayures jaunes), doit être relié à la broche de terre.

Consulter un technicien ou un électricien qualifié à défaut de comprendre l'ensemble des présentes directives ou en cas d'incertitude quant à la mise à terre de l'appareil. Ne pas modifier la fiche de l'appareil; si elle ne s'adapte pas dans la prise voulue, faire remplacer cette dernière par un électricien qualifié.



IMPORTANT : Utiliser uniquement une rallonge à trois fils munie d'une fiche de terre dans une prise secteur mise à la terre correspondant au type de fiche de l'appareil. S'assurer que votre rallonge est en bon état. Lorsque vous utilisez une rallonge, assurez-vous qu'elle soit d'un calibre suffisant pour supporter l'intensité du courant requise par l'appareil. Une rallonge trop mince entraîne une chute de tension, une diminution de l'intensité et une surchauffe. Une rallonge de calibre 12 est recommandée. Si vous devez utiliser une rallonge à l'extérieur, celle-ci doit comprendre la marque W-A après la désignation indiquant le type de cordon. Par exemple, la désignation SJTW-A indique que le cordon est conçu pour être utilisé à l'extérieur.

IMPORTANT: Quand le pulvérisateur est utilisé avec un générateur de tension de la ligne ou non, l'utilisation de Titan "Line Surge Protector" (P / N 800-935) est recommandé.

Spécifications

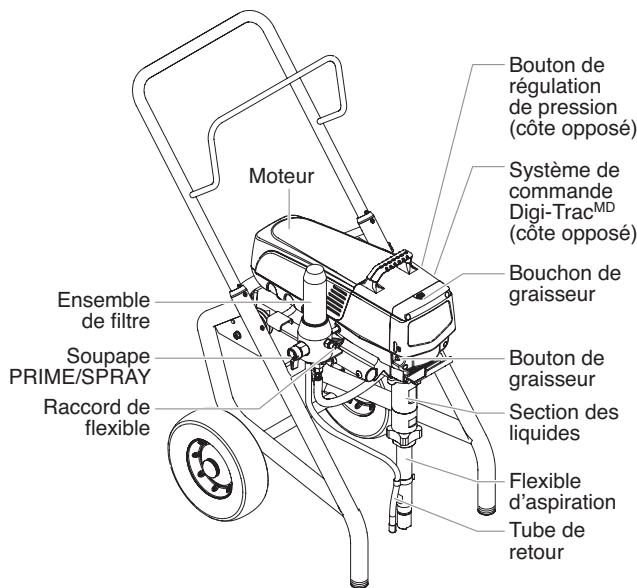
Débit (GPM)	
740.....	0,80 (3,0 LPM)
840.....	0,95 (3,6 LPM)
Embout, dimension maximale	
740.....	0,029"
840.....	0,031"
Pression maximale.....	3300 PSI (22,8 MPa)
Source de puissance	
740.....	1,8 HP moteur DC de Brushless
840.....	2,1 HP moteur DC de Brushless
Voltage.....	100~120V AC, 50/60 Hz
Poids, chariot.....	95 lbs. (43,1 kg)
Poids, bas chariot.....	81 lbs. (36,7 kg)
Cordon d'alimentation dimension maximale.....	300' (91,4 m)
Génératrice.....	5000 W (désactiver la mort en fonction)

Table des matières

Consignes de sécurité	16
Specifications	17
Description générale	18
Fonctionnement	18
Vérifications préliminaires	18
Préparation avant de peindre	19
Peinture	19
Panneau de contrôle indicateurs	20
Fonctionnement du système de commande Digi-Trac ^{MD}	20-21
Procédure de décompression	22
Vaporisation	22
Technique de vaporisation	22
Essais préliminaires	22
Nettoyage	23
Maintenance	23
Généralités concernant la maintenance	23
Remplacement des filtres	24
Remplacement du moteur	24
Remplacement des engrenages	25
Remplacement du transducteur	25
Remplacement de la soupape PRIME/SPRAY	26
Maintenance de la section des liquides	26-28
Dépannage	28
Messages d'erreur du système de commande Digi-Trac ^{MD}	29
Listes de pièces	44
Vue d'ensemble	44
Boîte d'engrenages	46
Ensemble de chariot	47
Section des liquides	48
Ensemble du filtre	50
Ensemble de basse chariot	51
Ensemble d'aspiration (bas chariot)	52
Étiquettes	52
Schéma de raccordement électrique	53
Accessoires	55
Garantie	58

Description générale

Ce vaporisateur à dépression est un outil électrique de précision servant à atomiser divers types de matériaux. On doit lire et suivre attentivement les directives apparaissant dans ce manuel pour savoir comment l'utiliser et le maintenir en bon ordre, et ce, en toute sécurité.



Fonctionnement



Cet appareil produit un jet à très haute pression; avant de le faire fonctionner, il est donc essentiel de lire et de comprendre les avertissements formulés dans la section Consignes de sécurité à l'avant de ce manuel.

Vérifications préliminaires

On doit procéder aux étapes suivantes avant de brancher le cordon d'alimentation de l'appareil.

1. S'assurer que le flexible et le bloc d'aspiration soient solidement fixés.
2. Fixer un flexible de vaporisation à tresse de Nylon, conçu pour les appareils à dépression, et mesurant au moins 15 mètres (50 pi).
3. Fixer un pistolet à dépression au flexible de vaporisation; ne pas fixer l'embout au pistolet tout de suite (le retirer s'il est déjà fixé).

NOTA: Ne pas encore fixer l'embout sur le pistolet de vaporisation. Démontez l'embout s'il est déjà fixé.



S'assurer que tous les flexibles et pistolets à dépression soit mis à la terre et conçus pour accepter des pressions de liquide d'au moins 3 300 lb/po2 (22,8 MPa).

4. S'assurer que le bouton de régulation de pression soit à la position OFF (zone noire).
5. S'assurer que le commutateur soit à la position OFF.
6. Enlevez le bouchon de graisseur à l'aide d'un tournevis à tête plate. Remplir le réservoir avec une once de piston sceau lubrifiant (Piston Lube). Remplacer le bouchon de graisseur.
7. Poussez 2-5 fois sur le bouton pour préparer la graisseur. Pouvez une fois pour toutes les huit heures d'utilisation pour lubrifier la section de liquides.

IMPORTANT : Ne jamais faire fonctionner l'appareil sans liquide pendant plus de 10 secondes, ce qui pourrait user inutilement les tampons graisseurs.

8. S'assurer que l'alimentation électrique soit d'au moins 15 A à 120 V.
9. Brancher le cordon d'alimentation dans une prise adéquatement mise à la terre située à une distance d'au moins 7,5 m (25 pi) de la surface à vaporiser.

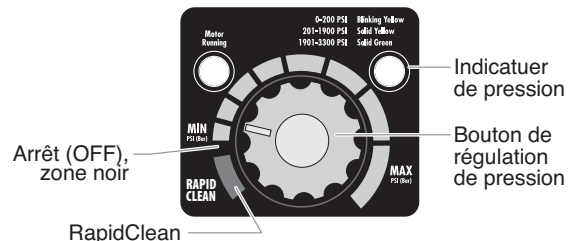
IMPORTANT : Les rallonges utilisées doivent être trifilaires, de calibre 12 et dotées d'une fiche à broche de MALT; on ne doit jamais retirer cette troisième broche ou utiliser un adaptateur.

Préparation d'un nouveau vaporisateur

Si cet appareil est neuf, il contient encore un liquide d'essai mis en usine pour le protéger de la corrosion en cours d'expédition ou d'entreposage. Ce liquide doit être complètement éliminé au moyen d'essence minérale avant que l'appareil puisse être utilisé.

IMPORTANT : La détente du pistolet doit toujours être verrouillée lorsqu'on procède à ces vérifications préliminaires.

1. Mettre le flexible d'aspiration dans un contenant d'essence minérale.
2. Mettre le flexible de retour dans un contenant de purge métallique.
3. Régler la pression au minimum en mettant le bouton de régulation à la position "MIN".



4. Abaisser la soupape PRIME/SPRAY à la position PRIME.
5. Mettre l'appareil en marche en mettant le commutateur à la position ON.

- Laisser le vaporisateur fonctionner pendant 15 à 30 secondes pour évacuer le liquide d'essai par le flexible de retour, jusqu'au contenant de purge.
- Arrêter l'appareil en mettant le commutateur à la position OFF.

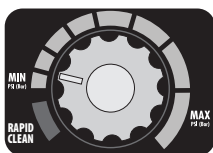
Préparation avant de peindre

Avant de peindre, il est important de s'assurer que le liquide dans l'appareil est compatible avec le produit à utiliser.

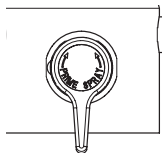
NOTA : L'incompatibilité liquide/produit peut provoquer le blocage des soupapes, ce qui entraînerait le besoin de démonter et de nettoyer la section des liquides du vaporisateur.

IMPORTANT : La détente du pistolet doit toujours être verrouillée lorsqu'on procède à ces vérifications préliminaires.

- Mettre le flexible d'aspiration dans un contenant de solvant approprié (de l'eau dans le cas de peintures au latex, de l'essence minérale dans le cas de peintures à l'huile, etc.).
- Mettre le flexible de retour dans un contenant de purge métallique.
- Régler la pression au minimum en mettant le bouton de régulation à la position "MIN".
- Abaisser la soupape PRIME/SPRAY à la position PRIME.



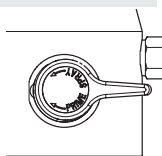
NOTA : Tenez le tube de retour dans le conteneur de déchets en faisant passer le PRIME / SPRAY soupape de PRIME dans le cas où le pulvérisateur est sous pression.



- Mettre l'appareil en marche en mettant le commutateur à la position ON.
- Laisser le vaporisateur fonctionner pendant 15 à 30 secondes pour évacuer le solvant usé par le flexible de retour, jusqu'au contenant de purge.
- Arrêter l'appareil en mettant le commutateur à la position OFF.

NOTA : S'assurer que l'embout ou le protège-embout ne soient pas installés.

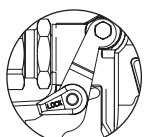
- Soulever la soupape PRIME/SPRAY à la position SPRAY.
- Mettre l'appareil en marche.
- Déverrouiller le pistolet en mettant le verrou de détente à la position appropriée.



On doit mettre le pistolet à la terre en le tenant contre le bord du contenant de purge métallique pendant qu'il se vide afin d'éviter les risques de décharges électrostatiques, lesquelles peuvent provoquer un incendie.



- Appuyer sur la détente en visant le contenant métallique pour purger le solvant usé du pistolet, jusqu'à ce que du solvant frais en ressorte.
- Verrouiller le pistolet en mettant le verrou de détente à la position appropriée.
- Déposer le pistolet et augmenter la pression en tournant lentement le bouton de régulation vers la droite.
- Inspecter tous les composants afin d'y détecter des fuites potentielles. Le cas échéant, suivre les directives de la section Procédure de décompression du présent manuel avant de fixer les flexibles et de serrer les raccords.



Détente verrouillée.

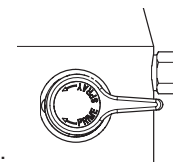
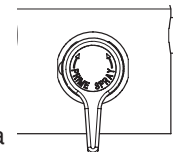
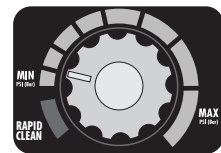
- Procéder aux étapes de la section Procédure de décompression du présent manuel avant de passer du solvant au produit de peinture.



On doit effectuer la procédure de décompression chaque fois qu'on arrête l'appareil pour en faire la maintenance, en changer les réglages de vaporisation, en remplacer/ nettoyer les embouts ou en effectuer la préparation en vue d'un nettoyage.

Peinture

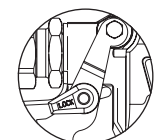
- Mettre le flexible d'aspiration dans un contenant de produit de peinture.
- Mettre le flexible de retour dans un contenant de purge métallique.
- Régler la pression au minimum en mettant le bouton de régulation à la position "MIN".
- Abaisser la soupape prime/spray à la position PRIME.
- Mettre l'appareil en marche en mettant le commutateur à la position ON.
- Laisser le vaporisateur fonctionner jusqu'à ce que le produit commence à s'écouler par le flexible de retour dans le contenant de purge.
- Arrêter l'appareil en mettant le commutateur à la position OFF.
- Retirer le flexible de retour du contenant de purge et le mettre à sa position normale, au-dessus du contenant de produit de peinture.
- Soulever la soupape PRIME/SPRAY à la position SPRAY.
- Mettre l'appareil en marche.
- Déverrouiller le pistolet en mettant le verrou de détente à la position appropriée.



On doit mettre le pistolet à la terre en le tenant contre le bord du contenant de purge métallique pendant qu'il se vide afin d'éviter les risques de décharges électrostatiques, lesquelles peuvent provoquer un incendie.



- Appuyer sur la détente en visant le contenant métallique pour purger le solvant et l'air du flexible de vaporisation, jusqu'à ce que le produit de peinture s'écoule librement du pistolet.
- Verrouiller le pistolet en mettant le verrou de détente à la position appropriée.
- Arrêter l'appareil.
- Fixer l'embout et le protège-embout au pistolet, conformément aux directives accompagnant ces derniers.



Détente verrouillée.



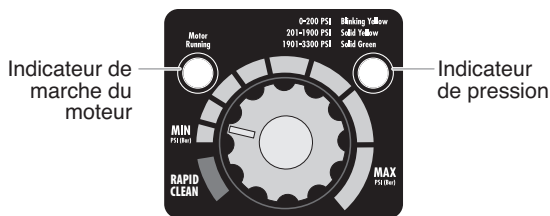
RISQUES D'INJECTION. Ne pas vaporiser sans avoir installé le protège-embout. Ne jamais appuyer sur la détente sans avoir mis l'embout en position de vaporisation ou de désobstruction. Toujours enclencher le verrou de détente avant de retirer, de remplacer ou de nettoyer l'embout.

- Mettre l'appareil en marche.
- Augmenter la pression en tournant lentement le bouton de régulation vers la droite, jusqu'à la zone verte, puis effectuer un essai sur un morceau de carton en examinant le jet résultant. Régler la pression de manière à ce que le produit soit parfaitement atomisé.

NOTA : Si la pression est trop élevée, l'embout subira une usure prématurée et produira des éclaboussures de surpulvérisation.

Indicateurs de panneau de contrôle

Voici une description des indicateurs de panneau de contrôle.



Indicateur de Pression

L'indicateur de pression affiche la pression de travail actuelle du pulvérisateur. Il a trois niveaux d'indication : jaune clignotant, jaune fixe et vert fixe.

Jaune Clignotant

Lorsque l'indicateur de pression est jaune clignotant, l'appareil fonctionne à une pression comprise entre 0 et 200 PSI. Un indicateur de pression jaune clignotant signifie :

- Que l'appareil est branché et en position "ON".
- L'appareil est à une pression d'amorçage (peu ou pas de pression)
- Il est possible sans danger de placer la soupape PRIME/SPRAY entre deux positions.
- Il est possible et sans danger de changer ou de remplacer l'embout de vaporisation (consulter le manuel de l'embout concernant les procédures de remplacement).

NOTA : Si l'indicateur de pression commence à clignoter en jaune lorsque le bouton de commande de la pression est réglé sur une pression supérieure et que la soupape de PRIME/SPRAY est en position SPRAY, soit l'embout de vaporisation est usé, soit il y a une fuite, soit l'appareil doit être entretenu/réparé.

Jaune Fixe

Lorsque l'indicateur de pression est jaune fixe, l'appareil fonctionne à une pression comprise entre 200 et 1800 PSI. Un indicateur de pression jaune fixe signifie :

- Que l'appareil est à la bonne pression pour vaporiser de la teinture, de la laque, du vernis et des peintures multicolores.
- Si l'indicateur de pression passe au jaune fixe lorsque la pression est réglée pour démarrer en vert fixe, cela signifie l'un des points suivants :
 - a. **Indicateur d'Usure d'Embout** – lors de la vaporisation avec du latex ou à haute pression, le jaune fixe apparaît. Ceci signifie que l'embout est usé et doit être remplacé.
 - b. **Embout Trop Grand** – lorsqu'un embout est trop grand pour l'appareil est installé sur le pistolet, l'indicateur de pression passe de vert fixe à jaune fixe.
 - c. **Usure de la Section des Fluides** – si un indicateur de pression jaune fixe apparaît lorsqu'on utilise un nouvel embout et que la pression est réglée au maximum, il est peut être nécessaire de réparer l'appareil (tampons graisseurs usés, piston usé, soupape collée, etc).

Vert Fixe

Lorsque l'indicateur de pression est vert fixe, l'appareil fonctionne à une pression comprise entre 1800 et 3300 PSI. Un indicateur de pression vert fixe signifie :

- L'appareil est réglé sur la bonne pression pour vaporiser des peintures d'intérieur à l'huile ou au latex.
- L'appareil fonctionne à plein régime avec une pression élevée.

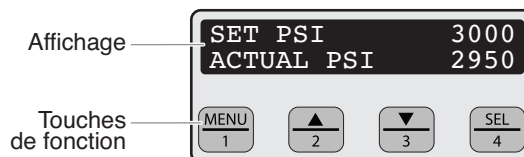
Indicateur de Fonctionnement du Moteur

L'indicateur de Fonctionnement du Moteur est allumé lorsque le moteur est mis en marche. Cet indicateur est utilisé par les centres techniques pour réparer les problèmes de moteur.

NOTA : Les indicateurs de marche et de pression qui clignotent en alternance indiquent que le moteur est en surchauffe. Arrêtez la pompe (position « ARRÊT ») et laissez-la refroidir.

Fonctionnement du système de commande Digi-Trac^{MD}

Le système de commande Digi-Trac^{MD} est une option qui augmente la fonctionnalité du pulvérisateur. Il est installé directement sous le bouton de régulation de la pression du panneau de commande et il est constitué d'un écran et de quatre touches de fonction. L'affichage montre les différents écrans de menu, ce qui permet à l'utilisateur de personnaliser et de surveiller le fonctionnement du pulvérisateur à l'aide des touches de fonction.



Touches de fonction

Les touches de fonction sont numérotées de 1 à 4. Chaque touche porte également l'étiquette d'une fonction supplémentaire.

No 1/Touche « Menu »

Appuyer sur la touche no 1 pour faire défiler les écrans de menu disponibles ou pour exécuter une fonction de l'écran de menu actif.

No 2/Touche « + »

Appuyer sur la touche no 2 pour exécuter une fonction de l'écran de menu actif ou pour augmenter une valeur.

No 3/Touche « - »

Appuyer sur la touche no 3 pour exécuter une fonction de l'écran de menu actif ou pour diminuer une valeur.

No 4/Touche « Sélectionner »

Appuyer sur la touche no 4 pour sélectionner l'écran de menu actif ou pour exécuter une fonction de l'écran de menu actif.

Écrans de menu

De nombreux écrans de menu sont disponibles pour permettre à l'utilisateur de personnaliser et de surveiller le fonctionnement du pulvérisateur. Ce sont : l'écran principal, l'écran des gallons pompés, l'écran des gallons nécessaires au travail, l'écran du numéro de série de l'appareil, l'écran des indicateurs de durée, l'écran des indicateurs de durée du travail, l'écran de la durée d'utilisation, l'écran de pression, l'écran du code de sécurité, l'écran d'amorçage et l'écran de nettoyage rapide.

Écran principal

L'écran principal est l'écran par défaut du système de commande qui apparaît au démarrage du pulvérisateur. Appuyer sur la touche no 2 pour basculer entre les unités PSI et MPa. Appuyer sur la touche no 1 pour faire dérouler les écrans de menu disponibles.

SET PSI 3000
ACTUAL PSI 2950

Écran « Gallons pompés » (Gallons Pumped)

L'écran « Gallons pompés » affiche la quantité totale des gallons ou des litres pulvérisés par le pulvérisateur.

GALLONS PUMPED
MENU-1 SELECT-4

Pour sélectionner l'écran « Gallons pompé », appuyer sur la touche no 4.

GALLONS XXXXXX
PRESS 1 FOR MENU

Écran « Gallons nécessaires au travail » (Job Gallons)

L'écran « Gallons nécessaires au travail » permet à l'utilisateur de remettre à l'état initial le compteur de gallons, afin de connaître la quantité nécessaire à un travail précis.

Pour sélectionner l'écran « Gallons nécessaires au travail », appuyer sur la touche no 4.

JOB GALLONS
MENU-1 SELECT-4

JOB GALLONS XXXX
RESET-3 MENU-1

Écran « No de série de l'appareil » (Unit Serial #)

L'écran « No de série de l'appareil » affiche le numéro de série du pulvérisateur.

Pour sélectionner l'écran « No de série de l'appareil », appuyer sur la touche no 4.

UNIT SERIAL #
MENU-1 SELECT-4

SER # XXXXXXXXXX
PRESS 1 FOR MENU

Écran « Indicateurs de durée » (Timers)

L'écran « Indicateurs de durée » affiche la durée totale depuis la mise sous tension du pulvérisateur ainsi que la durée totale d'utilisation du pulvérisateur (pompage).

Pour sélectionner l'écran « Indicateurs de durée », appuyer sur la touche no 4.

TIMERS
MENU-1 SELECT-4

ON TIME XXXX:XX
RUN TIME XXXX:XX

Écran « Indicateurs de durée du travail » (Job Timers)

L'écran « Indicateurs de durée du travail » permet à l'utilisateur de remettre à l'état initial l'indicateur « Durée de mise sous tension » et l'indicateur « Durée d'utilisation », afin de connaître la durée d'un travail précis.

Pour sélectionner l'écran « Indicateurs de durée du travail », appuyer sur la touche no 4. L'écran basculera entre les indicateurs de durée et un écran permettant à l'utilisateur de remettre à l'état initial les indicateurs de durée.

JOB TIMERS
MENU-1 SELECT-4

ON TIME XXXX:XX
RUN TIME XXXX:XX

Écran « Durée d'utilisation » (Service Time)

L'écran « Durée d'utilisation » permet à l'utilisateur de programmer un intervalle de durée d'utilisation (en heures). Sous la durée programmée, les écrans affichent le nombre d'heures actuelles sur le pulvérisateur. Pour sélectionner l'écran « Durée d'utilisation », appuyer sur la touche no 4.

L'écran basculera entre les heures d'utilisation et un écran permettant à l'utilisateur de changer l'intervalle de durée d'utilisation.

Lorsque l'intervalle de durée d'utilisation est programmé et que les heures d'utilisations sont écoulées, au démarrage du pulvérisateur l'écran basculera entre « Écran principal » et un écran « Opération nécessaire ». Pour que l'écran cesse de basculer, faire dérouler l'écran « Durée d'utilisation » et programmer un nouvel intervalle de durée d'utilisation ou programmer la durée d'utilisation à « 0 » . .

Écran « Pression » (Pressure)

L'écran « Pression » permet à l'utilisateur de voir la valeur actuelle de réglage de la pression ainsi que la pression d'utilisation réelle.

Pour sélectionner l'écran « Pression », appuyer sur la touche no 4. Cet écran est également l'écran principal.

PRESSURE
MENU-1 SELECT-4

SET PSI 3000
ACTUAL PSI 2950

Écran « Code de sécurité » (Security Code)

L'écran « Code de sécurité » permet à l'utilisateur de programmer un code de sécurité à quatre chiffres, afin d'éviter l'utilisation non autorisée du pulvérisateur. Si un code de sécurité a été programmé, l'écran du système de commande demandera un code au démarrage de l'appareil. Si le bon code est saisi, l'écran affichera l'écran principal et le pulvérisateur fonctionnera. Si un mauvais code est saisi, l'écran demandera de saisir le bon code et le pulvérisateur ne fonctionnera pas. Pour programmer ou changer le code de sécurité, appuyer sur la touche no 2.

SECURITY CODE
MENU-1 CHANGE-2

NOTA : Si le pulvérisateur est neuf, aucun code de sécurité n'est programmé et l'écran principal s'affiche au démarrage de l'appareil. De plus, lors de la première programmation du code de sécurité, l'écran « Saisir l'ancien code » ne s'affiche pas.

Saisir l'ancien code de sécurité pour atteindre l'écran permettant le changement du code. Si le mauvais code est saisi, l'écran demande de saisir le bon code, et le code de sécurité ne peut pas être changé.

ENTER OLD CODE
NUMBER

Saisir le nouveau code de sécurité. Une fois que le code est saisi, l'écran demande automatiquement de ressaisir le nouveau code pour vérification. Si le nouveau code est ressaisi correctement, l'écran confirme que le nouveau code a été enregistré et retourne à l'écran principal. Si le nouveau code n'est pas ressaisi correctement, l'écran retourne à l'écran « Saisir le nouveau code » et le processus est à recommencer.

ENTER NEW CODE
NUMBER

NOTA : Pour désactiver la fonction de sécurité de verrouillage numérique antivol, saisir « 1111 » à l'écran « Saisir le nouveau code » (c'est le code par défaut permettant de laisser le pulvérisateur non verrouillé). Ainsi, ce sera l'écran principal qui s'affichera au démarrage du pulvérisateur.

Écran « Amorçage » (Prime)

L'écran « Amorçage » apparaît lorsque le bouton de régulation de la pression est programmé au minimum « MIN ».

PRIME

Écran « Nettoyage rapide » (Rapid Clean)

L'écran « Nettoyage rapide » apparaît lorsque le bouton de régulation de la pression est réglé à la position RAPID CLEAN et que la soupape PRIME/SPRAY est à la position PRIME.

RAPID CLEAN
ACTUAL PSI XXXX

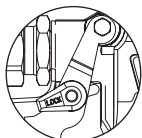
NOTA : Si rien n'est effectué sur aucun des écrans de menu pendant plus de 30 secondes, l'écran retourne à l'écran principal.

Procédure de décompression



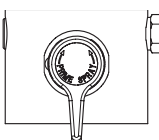
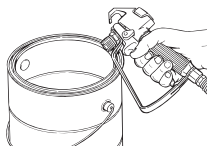
On doit effectuer la procédure de décompression chaque fois qu'on arrête l'appareil pour en faire la maintenance, en changer les réglages de vaporisation, en remplacer/ nettoyer les embouts ou en effectuer la préparation en vue d'un nettoyage.

1. Verrouiller le pistolet en mettant le verrou de détente à la position appropriée.
2. Arrêter l'appareil en mettant le commutateur à la position OFF.
3. Tourner le bouton de régulation de la pression vers la gauche, jusqu'à la position OFF, dans la zone noire.



Détente verrouillée.

4. Déverrouiller le pistolet en mettant le verrou de détente à la position appropriée.
5. Tenir fermement la partie métallique du pistolet contre le bord d'un contenant métallique afin d'éviter une accumulation d'électricité statique.
6. Appuyer sur la détente du pistolet afin de purger tout l'air restant dans le flexible.
7. Verrouiller le pistolet en mettant le verrou de détente à la position appropriée.
8. Abaisser la soupape PRIME/SPRAY à la position PRIME.



Vaporisation



RISQUES D'INJECTION. Ne pas vaporiser sans avoir installé le protège-embout. Ne jamais appuyer sur la détente sans avoir mis l'embout en position de vaporisation ou de désobstruction. Toujours enclencher le verrou de détente avant de retirer, de remplacer ou de nettoyer l'embout.

Technique de vaporisation

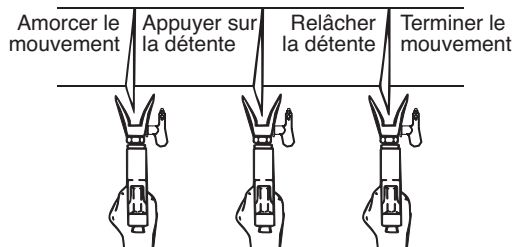
En suivant les techniques suivantes, on s'assure d'obtenir des résultats d'allure professionnelle.

Tenir le pistolet perpendiculairement par rapport à la surface, toujours à la même distance de cette dernière (selon le produit utilisé, la surface en présence et la forme de jet désirée, cette distance devrait se situer entre 30 et 35 cm [12 et 14 po]).

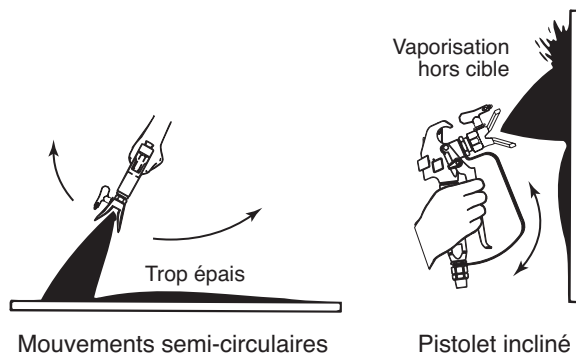
Procéder verticalement ou horizontalement à un rythme régulier, ce qui aura pour effet de minimiser le gaspillage de produit et d'assurer une couverture égale. Le rythme idéal permet d'appliquer une couche chargée sur toute la surface, sans gouttes ni coulées.

En tenant le pistolet plus près de la surface, on y applique davantage de produit, mais sur une bande plus étroite, tandis qu'en l'éloignant, on obtient une couche moins épaisse, répartie sur une plus grande largeur. En présence de gouttes, de coulées ou de surpulvérisation, on doit opter pour un embout doté d'un plus petit orifice; s'il n'y a pas assez de produit sur la surface, ou si on désire procéder plus rapidement, il est préférable de choisir un embout à orifice plus grand.

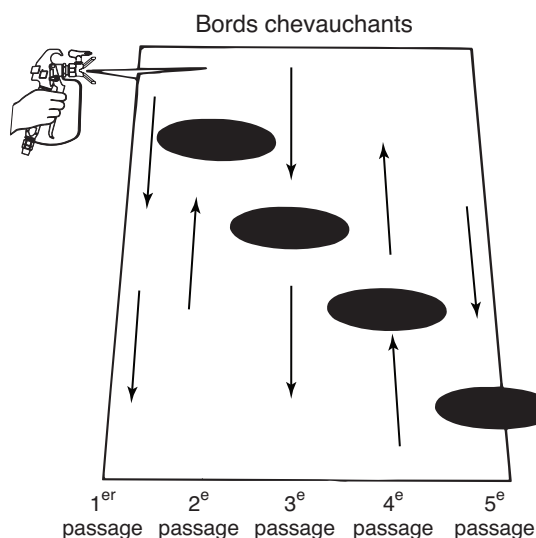
On doit procéder par gestes réguliers et uniformes, en inversant les mouvements à chaque passage (de haut en bas, puis de bas en haut, ou de gauche à droite, puis de droite à gauche). Amorcer le mouvement avant d'appuyer sur la détente.



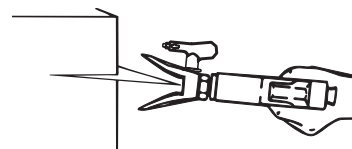
Il faut éviter de procéder par gestes semi-circulaires ou d'incliner le pistolet par rapport à la surface, ce qui produirait un fini inégal.



Il est essentiel de faire chevaucher chacun des passages pour obtenir un fini uniforme. Si, par exemple, on procède horizontalement, il faut commencer par le haut, puis viser le bord inférieur du passage précédent de manière à en chevaucher la moitié.



Lorsqu'on utilise un écran protecteur, celui-ci doit être fermement maintenu contre la surface. Le pistolet doit être légèrement incliné de manière à éloigner le jet de l'écran, ce qui évitera de faire pénétrer le produit de peinture sous ce dernier.



On doit également protéger les arbustes près des bâtiments en les attachant et en les couvrant d'une toile. Cette toile doit cependant être retirée dans les plus brefs délais. Les rallonges de pistolet Titan peuvent, elles aussi, s'avérer fort utiles dans de telles situations.

Les objets comme les voitures, l'ameublement de jardin, etc. doivent être éloignés ou recouverts lorsqu'ils sont à proximité de la surface à vaporiser. Il faut toujours s'assurer de protéger les éléments susceptibles d'être endommagés par des éclaboussures.

Essais préliminaires

1. S'assurer que le flexible à produit de peinture soit exempt de coudes et éloigné de toute arête coupante.
2. Régler la pression au minimum en mettant le bouton de régulation à la position "MIN".
3. Soulever la soupape prime/spray à la position SPRAY.
4. Tourner le bouton de régulation de pression à son réglage le plus élevé; le flexible à produit devrait se raidir sous l'effet de la pression.
5. Déverrouiller la détente du pistolet.
6. Appuyer sur la détente pour évacuer l'air du flexible.

- Quand la peinture atteint l'embout, effectuer un essai de vaporisation en vue de régler le jet en fonction du travail à effectuer.
- Régler la pression au niveau le plus bas qui permette d'obtenir le jet désiré. Si la pression est trop élevée, le jet sera trop dispersé; si elle est trop basse, le jet produira des traînées ou crachera des grumeaux de produit.



Nettoyage



Directives particulières pour le nettoyage au moyen de solvants inflammables :

- Purger le pistolet à l'extérieur de préférence, à une distance d'au moins une longueur de flexible de la pompe.
- Si le solvant usé est recueilli dans un contenant métallique de 4 litres (1 gallon), celui-ci doit être inséré dans un second contenant d'au moins 20 litres (5 gallons).
- L'endroit choisi doit être exempt de vapeurs inflammables.
- On doit suivre les directives de nettoyage à la lettre.

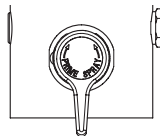
IMPORTANT : Le vaporisateur, le flexible et le pistolet doivent être nettoyés en profondeur après chaque journée d'utilisation et ce, afin d'éviter les accumulations de produit susceptibles de nuire grandement au rendement de l'appareil.



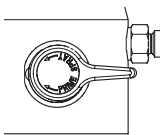
Lorsqu'on se sert d'essence minérale ou d'autres solvants pour nettoyer le vaporisateur, le flexible ou le pistolet, on doit régler la pression au minimum et retirer l'embout de la buse du pistolet. L'accumulation d'électricité statique risque de provoquer des incendies en présence de vapeurs inflammables.

- Suivre la Procédure de décompression à la section Fonctionnement du présent manuel.
- Retirer l'embout et le protège-embout, et les nettoyer au moyen d'une brosse et du solvant approprié.
- Mettre le flexible d'aspiration dans un contenant de solvant approprié (de l'eau dans le cas de peintures au latex, de l'essence minérale dans le cas de peintures à l'huile, etc.).
- Mettre le flexible de retour dans un contenant de purge métallique.
- Abaisser la soupape PRIME/SPRAY à la position PRIME.

NOTA : Tenez le tube de retour dans le conteneur de déchets en faisant passer le PRIME / SPRAY soupape de PRIME dans le cas où le pulvérisateur est sous pression.



- Régler la pression pour le RAPID CLEAN par pulsations en mettant le bouton de régulation à la position RAPID CLEAN.
- Mettre l'appareil en marche en mettant le commutateur à la position ON.
- Laisser le solvant circuler dans l'appareil pour évacuer le produit de peinture par le flexible de retour, jusqu'au contenant de purge.
- Arrêter l'appareil en mettant le commutateur à la position OFF.
- Soulever la soupape PRIME/SPRAY à la position SPRAY.
- Mettre l'appareil en marche.



On doit mettre le pistolet à la terre en le tenant contre le bord du contenant de purge métallique pendant qu'il se vide afin d'éviter les risques de décharges électrostatiques, lesquelles peuvent provoquer un incendie.



- Appuyer sur la détente en visant le contenant métallique pour purger le produit du flexible, jusqu'à ce que le solvant s'écoule du pistolet.
- Continuer d'appuyer sur la détente, en direction du contenant métallique, jusqu'à ce que le solvant évacué soit propre.

NOTA: Pour l'entreposage à long terme en milieu froid, remplir tous les composants de l'appareil d'essence minérale.

Dans le cas de rangement à court terme après utilisation de peinture au latex, remplir tous les composants d'eau mélangée au protecteur Titan Liquid Shield (se reporter à la section Accessoires du présent manuel pour obtenir le numéro de pièce de ce produit).

- Suivre la Procédure de décompression à la section Fonctionnement du présent manuel.
- Débrancher l'appareil et le ranger dans un endroit propre et sec.

IMPORTANT : Ne pas ranger l'appareil sous pression.

Maintenance



Avant de procéder, on doit suivre les directives de la section Procédure de décompression du présent manuel. On doit également respecter tous les autres avertissements si on veut éviter les blessures par injection, par contact avec une pièce mobile ou par choc électrique. Le vaporisateur doit toujours être débranché avant d'être entretenu ou réparé.

Généralités concernant la maintenance

Pour réparer ou entretenir le vaporisateur, on pourrait avoir à recourir aux outils suivants :

Tournevis étoile	Clé hexagonale de 1,0 cm (3/8 po)
Pince à bec pointu	Clé hexagonale de 0,8 cm (5/16 po)
Clé à ouverture variable	Clé hexagonale de 0,6 cm (1/4 po)
Maillet en caoutchouc	Clé hexagonale de 0,5 cm (3/16 po)
Tournevis plat	Clé hexagonale de 0,4 cm (5/32 po)
	Clé hexagonale de 0,3 cm (5/64 po)

- Avant de procéder à la maintenance de n'importe quel composant du vaporisateur, il faut lire attentivement les directives ainsi que tous les avertissements qu'elles contiennent.

IMPORTANT : Ne jamais tirer sur le cordon pour le débrancher, ce qui pourrait détacher le connecteur des fils.

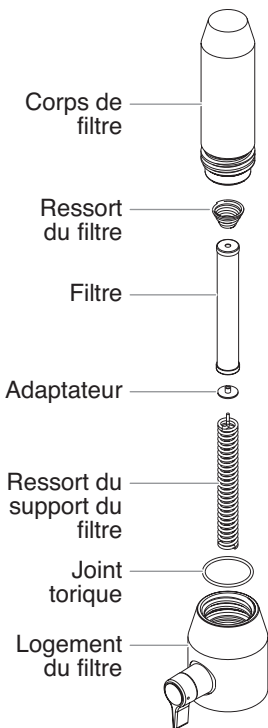
- Vérifier les résultats de la maintenance effectuée avant d'utiliser le vaporisateur en conditions normales afin de s'assurer que le problème ait bel et bien été corrigé. Si le vaporisateur ne fonctionne toujours pas comme il faut, repasser la procédure pour s'assurer qu'elle ait été bien suivie. Se reporter ensuite à la section Dépannage pour cerner la source potentielle du problème.
- S'assurer que l'endroit choisi soit bien ventilé si des solvants sont utilisés pour le nettoyage. Toujours porter des lunettes de protection lorsqu'on procède à la maintenance. D'autres dispositifs protecteurs pourraient être requis selon le type de solvant utilisé; on doit toujours communiquer avec le fabricant de ce dernier pour obtenir ses recommandations à cet effet.
- Pour toute autre question relative à ce vaporisateur à dépression, il suffit de communiquer avec Titan :

Service à la clientèle (É.-U.).....	1-800-526-5362
Télécopieur	1-800-528-4826
Service à la clientèle (Canada)	1-800-565-8665
Télécopieur	1-905-856-8496
Service à la clientèle (International)	1-201-337-1240
Télécopieur	1-201-405-7449

Remplacement des filtres

Filtere de pompe

1. Dévissez et retirez manuellement le corps de filtre.
2. Retirez le filtre du ressort intérieur.
3. Examinez le filtre et nettoyez-le ou remplacez-le au besoin.
4. Examinez le joint torique et nettoyez-le ou remplacez-le au besoin.
5. Remettez en place l'adaptateur du ressort intérieur et placez le nouveau filtre ou le filtre nettoyé sur le ressort intérieur. Insérez le filtre au centre du logement de filtre.
6. Glissez le corps de filtre sur le filtre et vissez-le dans le logement de filtre jusqu'à ce qu'il soit solidement fixé.



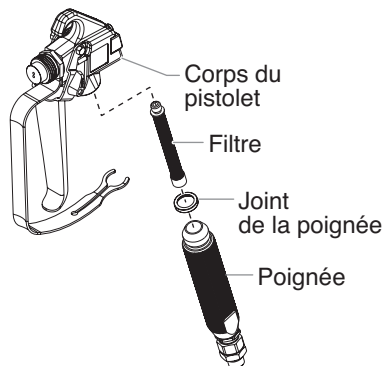
NOTA : Le logement de filtre doit être serré à la main. Assurez-vous qu'il est bien enclavé dans le bloc de la pompe.

Filtere du pistolet

1. Déverrouillez la détente du pistolet.
2. Desserrez et retirez la poignée du corps du pistolet.
3. Dévissez le filtre du corps du pistolet (dans le sens des aiguilles d'une montre).

NOTA : Le filetage à gauche nécessite qu'on tourne le filtre dans le sens des aiguilles d'une montre pour le retirer.

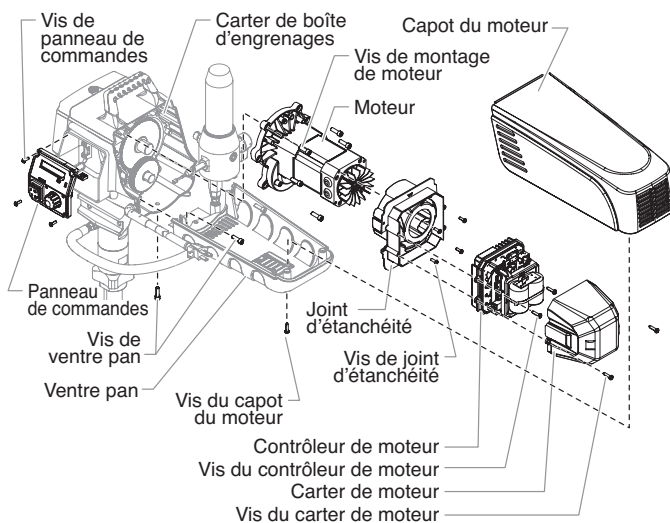
4. Vissez le nouveau filtre ou le filtre nettoyé dans le corps du pistolet (sens contraire des aiguilles d'une montre).
5. Assurez-vous que le joint d'étanchéité de la poignée est bien en place et vissez la poignée dans le corps du pistolet jusqu'à ce qu'elle soit solidement fixée.
6. Verrouillez la détente du pistolet.



NOTA : Pour obtenir plus de détails, se renseigner sur les numéros de pièce ou voir des dessins d'assemblage à plus grande échelle, se reporter au manuel de l'utilisateur du pistolet à dépression professionnel LX-80 (no 313-2293).

Remplacement de l'ensemble de moteur

1. Débranchez l'appareil.
2. Dévissez et retirez les deux (2) vis du capot du moteur. Retirez le capot.
3. Dévissez et retirez les trois (3) vis du ventre pan. Retirez le ventre pan.
4. Dévissez et retirez les deux (2) vis du carter de moteur. Retirez le carter.
5. Débranchez tous les fils reliant le moteur au pulvérisateur.
6. Dévissez et retirez les quatre (4) vis du panneau de commandes. Retirez le panneau de commandes.
7. Débranchez les fils reliant le moteur au panneau de commandes.
8. Dévissez et retirez les deux (2) vis du contrôleur de moteur. Retirez le contrôleur de moteur.
9. Dévissez et retirez les quatre (4) vis du joint d'étanchéité du moteur. Retirez le joint d'étanchéité.
10. Dévissez et retirez les six (6) vis de montage de moteur.
11. Retirez le moteur du carter de boîte d'engrenages.
12. Une fois le moteur retiré, vérifiez si les roues d'engrenage dans le carter de boîte d'engrenages sont endommagées ou très usées. Remplacez les roues d'engrenage au besoin.
13. Placez le nouveau moteur dans le carter de boîte d'engrenages.
14. Fixez solidement le moteur au moyen des six (6) vis de montage du moteur.
15. Raccordez les fils reliant le pulvérisateur au moteur (consultez le schéma de raccordement électrique sous la rubrique « Liste des pièces » du présent manuel).
16. Placez le joint d'étanchéité au bout de l'ensemble de moteur. Fixez-le solidement au moyen des quatre (4) vis de joint d'étanchéité.
17. Remplacez le contrôleur de moteur derrière le joint d'étanchéité. Fixez-le solidement au moyen des deux (2) vis du contrôleur de moteur.
18. Raccordez tous les fils reliant le moteur au pulvérisateur.
19. Raccordez tous les fils reliant le moteur au panneau de commandes.
20. Remplacez le panneau de commandes et fixez-le solidement au moyen des quatre (4) vis du panneau de commandes.
21. Remettez le carter de moteur sur le contrôleur de moteur. Fixez-le solidement au moyen des deux (2) vis du carter de moteur.
22. Remettez en place le ventre pan et fixez-le solidement au moyen des trois (3) vis de ventre pan.
23. Placez le capot du moteur sur l'ensemble de moteur.
24. Fixez solidement le capot du moteur au moyen des deux (2) vis du capot du moteur.

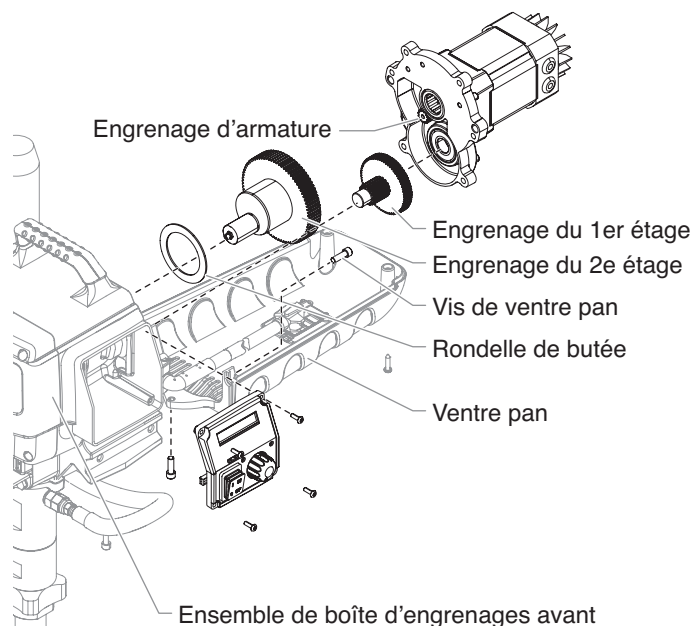


Remplacement des roues d'engrenage

1. Suivez les étapes 1 à 11 sous la rubrique Remplacement de l'ensemble de moteur (page 24) pour retirer le moteur et le panneau de commandes.
2. Vérifiez si l'engrenage d'armature au bout du moteur est endommagé ou très usé. S'il est complètement usé, remplacez l'ensemble de moteur.
3. Retirez les engrenages du 1er et du 2e étage et vérifiez s'ils sont endommagés ou très usés. Remplacez-les au besoin.
4. Vérifiez si l'ensemble de boîte d'engrenages avant est endommagé ou très usé. Le cas échéant, remplacez l'ensemble.

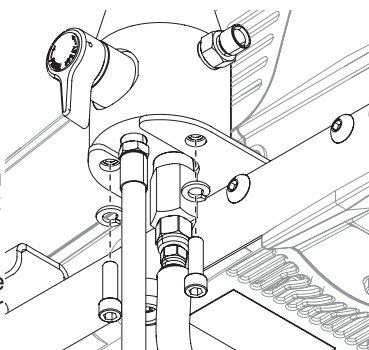
NOTA : Nettoyez la cavité de la boîte d'engrenages et la remplir de Lubriplate (no de pièce 314-171) jusqu'à la face arrière de chacun des engrenages.

5. Remplacez le moteur dans le carter de boîte d'engrenages.
6. Suivez les étapes 13 à 24 sous la rubrique Remplacement de l'ensemble de moteur (page 24) pour remplacer le moteur et le panneau de commandes.



Remplacement du transducteur

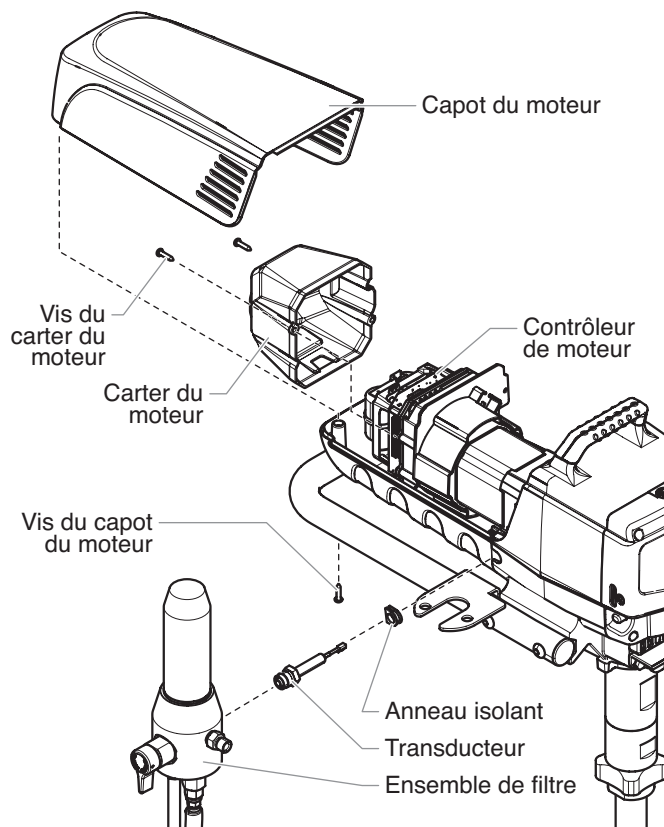
1. Débranchez l'appareil.
2. Dévissez et retirez les deux (2) boulons de l'ensemble de filtre. Retirez l'ensemble de filtre du chariot.
3. Dévissez et retirez les deux (2) vis du capot du moteur. Retirez le capot du moteur.
4. Dévissez et retirez les deux (2) vis du carter de moteur. Retirez le carter du moteur.
5. Débranchez le câble du transducteur du contrôleur de moteur.
6. Retirez l'anneau isolant de la plaque d'assemblage et faites-le glisser sur l'arbre du transducteur de sorte qu'il ne touche plus la plaque d'assemblage.



7. À l'aide d'une clé plate, dévissez et retirez le transducteur du logement de filtre. Dévissez délicatement le câble du transducteur à travers la plaque d'assemblage.
8. Retirez l'anneau isolant du vieux transducteur et placez-le sur le nouveau.
9. Vissez le câble du nouveau transducteur à travers la plaque d'assemblage et raccordez-le à le contrôleur de moteur.
10. Vissez le nouveau transducteur dans le logement de filtre et fixez-le solidement à l'aide d'une clé plate.

NOTA : Assurez-vous que le joint torique du transducteur soit bien en place avant de visser le transducteur dans le logement de filtre.

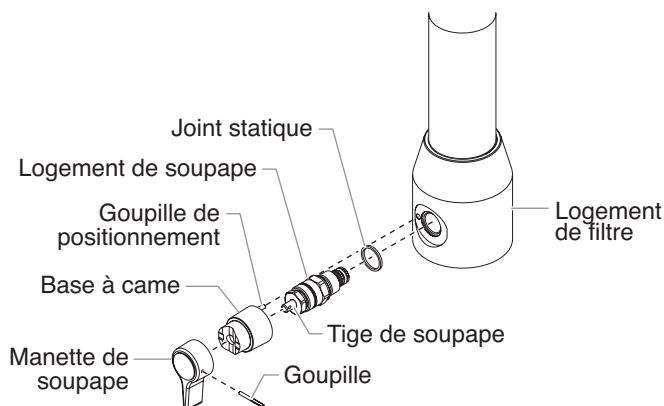
11. Poussez l'anneau isolant dans la plaque d'assemblage.
12. Branchez le câble du transducteur à le contrôleur de moteur (consultez le schéma de raccordement électrique sous la rubrique « Liste des pièces » du présent manuel).
13. Remplacez le carter de moteur sur le contrôleur de moteur. Fixez-le solidement au moyen des deux (2) vis du carter de moteur.
14. Remettez le capot du moteur sur l'ensemble de moteur.
15. Fixez solidement le capot du moteur au moyen des deux (2) vis du capot du moteur.



Remplacement de la soupape PRIME/SPRAY

Suivez les directives ci-dessous en se servant de la trousse de remplacement de la soupape PRIME/SPRAY (no de pièce 800-915).

1. Poussez la goupille hors de la manette de soupape.
2. Retirez la manette de soupape et la base à came.
3. À l'aide d'une clé plate, desserrez et retirez le logement de soupape.
4. Assurez-vous que le joint statique est bien en place, et vissez le nouveau logement de soupape dans le bloc filtre. Serrez à l'aide d'une clé plate.
5. Placez la base à came sur le logement de soupape. Lubrifiez la base à came à l'aide de graisse et alignez la came avec le bloc filtre à l'aide de la goupille de positionnement.
6. Alignez le trou de la tige de soupape avec celui de la manette de soupape.
7. Insérez la goupille dans la manette de soupape à travers la tige de soupape pour verrouiller la manette de soupape.



Entretien de la section de liquide

Suivez les directives suivantes pour l'entretien des soupapes et le remplacement des garnitures d'étanchéité de la section de liquide. Suivez chacune de ces étapes avant de procéder à l'entretien de la section de liquide.

1. Dévissez et retirez les quatre vis du couvercle avant. Retirez le couvercle avant.
2. Réglez la pression au minimum en tournant le bouton de régulation de la pression à « MIN ». L'écran Digi-Trac^{MC} devrait afficher « PRIME ».
3. Appuyez sur la touche no 1 du panneau de commandes Digi-Trac^{MC}. L'écran « CREEP MODE » s'affichera.
4. Tournez lentement le bouton de régulation de la pression dans le sens des aiguilles d'une montre afin d'augmenter la pression. L'ensemble de vilebrequin/bielle s'activera très lentement.
5. Lorsqu'il atteint le point mort de sa course, ramenez le bouton de régulation de la pression à « MIN ». Le mouvement de l'ensemble de vilebrequin/bielle devrait s'arrêter.
6. Arrêtez la pompe et débranchez l'appareil.



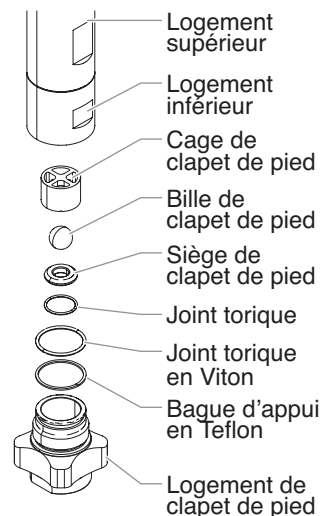
Avant de commencer l'entretien, suivez la procédure de décompression susmentionnée. Suivez également toutes les autres mises en garde afin de réduire les risques de blessures par injection, de blessures liées à des pièces en mouvement et de chocs électriques. Débranchez toujours le pulvérisateur avant l'entretien!

7. Retirez le tuyau de retour de la bride de serrage du tube-siphon.
8. Dévissez le tube-siphon/jeu de siphons du clapet de pied.
9. Dévissez et retirez le tuyau à haute pression du raccord derrière le logement supérieur de la section de liquide.

Entretien des soupapes et clapets

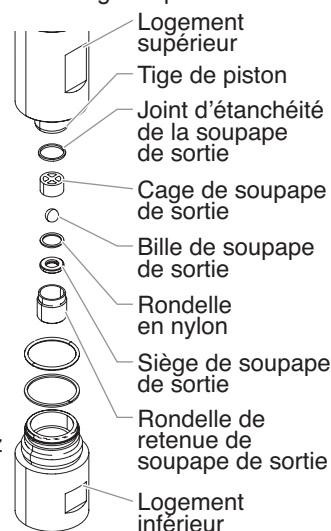
La conception de la section de liquide permet l'accès au clapet de pied et au siège de clapet ainsi qu'à la soupape de sortie et au siège de soupape sans devoir démonter complètement la section de liquide. Il est possible que les soupapes ne soient pas bien assises en raison de la présence de débris coincés dans le siège du clapet de pied ou de la soupape de sortie. Suivez les directives suivantes pour nettoyer les soupapes et les clapets et inverser ou remplacer les sièges.

1. Desserrez et retirez le logement de clapet de pied du logement inférieur.
2. Retirez les débris du logement de clapet de pied et examinez le logement et le siège du clapet. Inversez ou remplacez le siège s'il est endommagé.
3. Retenez le logement supérieur aux surplats de serrage à l'aide d'une clé plate, et dévissez le logement inférieur à l'aide d'une autre clé. Retirez le logement inférieur.
4. À l'aide d'une clé 3/4 po., dévissez et retirez la rondelle de retenue de soupape de sortie de la tige de piston.



NOTA : Assurez-vous que la tige de piston est bien reliée à la pompe avant de procéder à l'entretien de la soupape de sortie. Cette mesure empêchera la tige de piston de pivoter pendant le démontage de la soupape de sortie.

5. Retirez les débris et examinez la rondelle de retenue et le siège de soupape de sortie. Inversez ou remplacez le siège s'il est endommagé.
6. Retirez, nettoyez et examinez la cage de soupape de sortie et la bille de soupape de sortie. Remplacez-les si elles sont usées ou endommagées.
7. Remontez les soupapes en inversant les étapes ci-dessus.



NOTA : Pendant le remontage, assurez-vous que les joints toriques en Viton et les bagues d'appui en Teflon entre les logements supérieur et inférieur et entre le logement inférieur et celui du clapet de pied sont bien en place et lubrifiés à l'aide de graisse.

Remplacement des garnitures d'étanchéité de la section de liquide

1. Retirez le clapet de pied et le logement inférieur en suivant les étapes de la rubrique « Entretien des soupapes et clapets » ci-dessus.

NOTA : Il n'est pas nécessaire de retirer la soupape de sortie de la tige de piston pour effectuer cette opération.

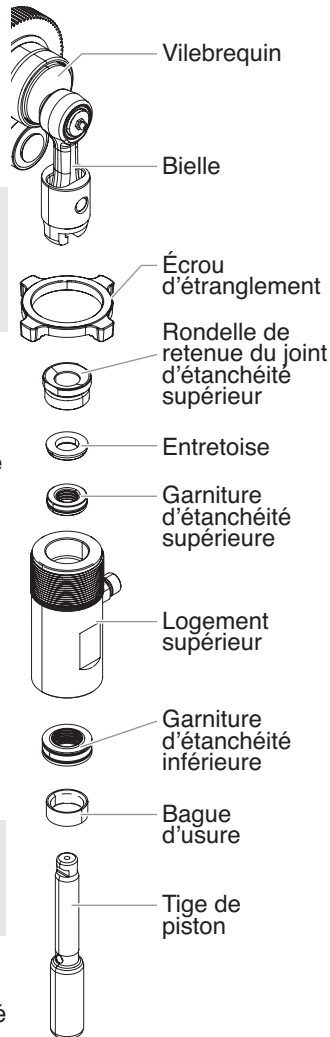
2. Dévissez dans le sens contraire des aiguilles d'une montre l'écrou d'étranglement en le frappant légèrement à l'aide d'un marteau-caoutchouc.
3. Faites pivoter la section de liquide dans le sens contraire des aiguilles d'une montre afin de la retirer du carter de la boîte d'engrenages.
4. Placez le logement supérieur en position verticale dans un étau en le serrant aux surplats de serrage.

NOTA : Si vous serrez trop l'étau, vous risquez d'endommager le logement supérieur.

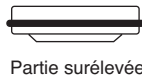
5. À l'aide d'une clé plate, retirez la rondelle de retenue du joint d'étanchéité supérieur.
6. Faites glisser la tige de piston vers l'avant de manière à la dégager de la rainure en T de la bielle.
7. Retirez le piston de la partie inférieure du logement supérieur.
8. Vérifiez si le piston porte des marques d'usure et remplacez-le au besoin.
9. Retirez les garnitures d'étanchéité supérieure et inférieure du logement supérieur.

NOTA : Évitez d'égratigner, de rayer ou d'endommager le logement supérieur en retirant les garnitures.

10. Nettoyez le logement supérieur. Vérifiez si le logement supérieur est endommagé et remplacez-le au besoin.
11. Placez les nouvelles garnitures d'étanchéité supérieure et inférieure entre les lèvres d'étanchéité en les lubrifiant à l'aide de graisse. Lubrifiez à l'aide de graisse les joints toriques sur la face extérieure des garnitures d'étanchéité.
12. Insérez la garniture d'étanchéité supérieure dans la partie supérieure du logement supérieur, la partie surélevée de la garniture vers le bas.
13. Insérez l'entretoise dans la partie supérieure de la garniture d'étanchéité supérieure.



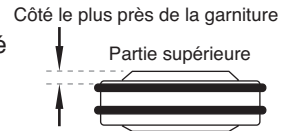
La partie surélevée du tampon supérieur doivent être vers le bas.



Partie surélevée

14. Vissez la rondelle de retenue du joint d'étanchéité supérieur dans le logement supérieur et serrez au couple de 25 à 30 ft/lb.
15. Formez d'avance la garniture d'étanchéité inférieure à l'aide du calibre de la garniture d'étanchéité inférieure (compris dans la trousse de garnitures d'étanchéité).
16. Insérez partiellement la garniture d'étanchéité inférieure dans la partie inférieure du logement supérieur, le côté dont le joint torique est le plus près de la garniture vers le haut.
17. Insérez la garniture d'étanchéité inférieure au moyen de l'outil d'insertion de la garniture d'étanchéité inférieure (voir la liste des pièces de la section de liquide pour connaître le numéro de pièce de l'outil d'insertion).
18. Placez l'outil d'insertion du piston (compris dans la trousse de garnitures) sur la partie supérieure de la tige du piston.
19. Insérez la tige du piston sous le logement supérieur à travers les garnitures d'étanchéité inférieure et supérieure et la rondelle de retenue du joint d'étanchéité supérieur.

Mettez en place la garniture d'étanchéité inférieure, le côté dont le joint torique est le plus près de la garniture d'étanchéité vers le haut



- NOTA : Lors du remplacement des garnitures d'étanchéité de la section de liquide, assurez-vous que la partie surélevée au bas de la garniture inférieure soit bien à l'extérieur de la garniture sur la tige du piston après l'insertion de cette dernière.**
20. Retirez l'outil d'insertion du piston de la partie supérieure de la tige du piston.
 21. Glissez la partie supérieure de la tige du piston dans la rainure en T de la bielle.
 22. Vissez l'écrou d'étranglement dans le sens contraire des aiguilles d'une montre jusqu'à ce qu'il touche la partie inférieure du logement supérieur.
 23. Lubrifiez le filet du logement supérieur au moyen d'un composé antigrippage. Retirez le logement supérieur de l'étau.
 24. Vissez dans le sens des aiguilles d'une montre le logement supérieur dans le logement de la boîte d'engrenages.
 25. Continuez à visser jusqu'à ce que l'écrou d'étranglement touche le logement de la boîte d'engrenages.

NOTA : Si le raccord du logement supérieur ne fait pas face au dos de l'appareil, faites pivoter le logement supérieur dans le sens contraire des aiguilles d'une montre jusqu'à ce que le raccord se retrouve face au dos de l'appareil. Ne faites pas pivoter le logement supérieur de plus d'un tour complet.

26. Une fois le raccord en place, vissez l'écrou d'étranglement dans le sens des aiguilles d'une montre jusqu'à ce qu'il touche le logement de la boîte d'engrenages.
27. Frappez légèrement l'écrou d'étranglement à l'aide d'un marteau-caoutchouc pour le serrer.
28. En s'assurant que le joint torique en Viton et la bague d'appui en Teflon soient lubrifiés et bien en place, vissez le logement inférieur dans le logement supérieur. Tenir le logement supérieur aux surplats de serrage à l'aide d'une clé plate, et serrez le logement inférieur à l'aide d'une autre clé.
29. Raccordez le tuyau à haute pression au raccord au dos du logement et serrez à l'aide d'une clé plate. Ne pliez pas le tuyau.

NOTA : Dans le cas des bas chariots, assurez-vous que le tuyau ne touche pas le châssis du chariot. Le cas échéant, faites pivoter le logement supérieur jusqu'à ce que le tuyau ne touche plus le châssis et que le raccord soit à un angle maximal de 45° par rapport au dos de l'appareil.

30. Assurez-vous que le joint torique en Viton et la bague d'appui en Teflon sont lubrifiés et bien en place; remontez le clapet de pied et vissez-le dans le logement inférieur. Serrez jusqu'à ce qu'il soit solidement fixé.
31. Vissez le tube-siphon/jeu de siphons dans le clapet de pied et vissez jusqu'à ce qu'il soit solidement fixé. Assurez-vous de recouvrir les filets de l'adaptateur du tube intérieur/tube-siphon à l'aide de ruban de Teflon avant le montage.
32. Remettez le tuyau de retour dans la bride de serrage du tube-siphon.
33. Placez le couvercle avant sur le carter de la boîte d'engrenages et fixez-le solidement à l'aide des quatre vis prévues à cette fin.
34. Mettez en marche le pulvérisateur en suivant les directives de la rubrique « Fonctionnement » du présent manuel, et assurez-vous qu'il n'y a aucune fuite.

NOTA : La trousse de garnitures d'étanchéité (no de pièce 805-1010) est offerte. Pour obtenir de meilleurs résultats, utilisez toutes les pièces comprises dans cette trousse.

Dépannage

Problème	Cause	Solution
A. L'appareil ne fonctionne pas.	<ol style="list-style-type: none"> 1. L'appareil n'est pas branché. 2. Disjoncteur déclenché. 3. Le réglage de pression est trop bas (le bouton de commande de la pression au réglage minimum n'envoie pas de puissance au vaporisateur). 4. Câblage défectueux ou débranché. 5. Température excessive du moteur. 6. Commutateur MARCHE/ARRÊT défectueux. 	<ol style="list-style-type: none"> 1. Brancher l'appareil. 2. Réenclencher le disjoncteur. 3. Faire tourner le bouton de commande de la pression pour alimenter l'appareil et accroître la pression. 4. Vérifier ou le faire réparer dans un centre d'entretien agréé par Titan. 5. Laisser le moteur refroidir. 6. Remplacer le commutateur MARCHE/ARRÊT.
B. L'appareil ne s'amorce pas.	<ol style="list-style-type: none"> 1. La soupape de PRIME/SPRAY est en position SPRAY. 2. Fuite d'air dans le flexible du siphon/d'aspiration. 3. Le filtre de la pompe et/ou le filtre d'entrée sont bouchés. 4. Le flexible de siphon/d'aspiration est bouché. 	<ol style="list-style-type: none"> 1. Faire tourner la soupape PRIME/SPRAY dans le sens des aiguilles d'une montre en position PRIME. 2. Vérifier le branchement du flexible du siphon/d'aspiration et serrer ou recoller le raccord avec du ruban en Téflon. 3. Démontez le filtre de la pompe et le nettoyer. Démontez le filtre d'entrée et le nettoyer. 4. Démontez le flexible du siphon/d'aspiration et le nettoyer.
C. La pression ne se fait pas dans l'appareil ou la pression n'est pas uniforme.	<ol style="list-style-type: none"> 1. L'embout d'aspiration est usé. 2. L'embout d'aspiration est trop grand. 3. Le bouton de commande de la pression n'est pas correctement fixé. 4. Le filtre de la pompe, le filtre du pistolet ou le filtre d'entrée sont bouchés. 5. Du produit s'échappe du flexible de retour lorsque la soupape de PRIME/SPRAY est en position SPRAY. 6. Fuite d'air dans le flexible du siphon/le flexible d'aspiration. 7. Il y a une fuite de liquide externe. 8. Il y a une fuite interne dans la section des liquides (les tampons graisseurs sont usés et/ou sales, les clapets sont usés). 9. Sièges de soupape usés. 10. Le moteur démarre mais ne tourne pas. 	<ol style="list-style-type: none"> 1. Remplacer l'embout d'aspiration selon les signes qui accompagnent le pistolet de vaporisation. 2. Remplacer l'embout d'aspiration par un embout à moins large selon les signes qui accompagnent le pistolet de vaporisation. 3. Tourner le bouton dans le sens des aiguilles d'une montre pour augmenter la pression. 4. Démontez le filtre de la pompe et le nettoyer. Retirez le filtre du pistolet et le nettoyer. Démontez le filtre d'entrée et le nettoyer. 5. Nettoyer ou remplacer la soupape de PRIME/SPRAY. 6. Vérifier le branchement du flexible du siphon/d'aspiration et serrer ou recoller le raccord avec du ruban en Téflon. 7. Vérifier qu'il n'y a pas de fuites externes dans tous les raccords. Resserrer les raccords au besoin. 8. Nettoyer les soupapes et la section des liquides selon la procédure "Maintenance de la Section des Liquides" décrite au chapitre Maintenance de ce manuel. 9. Inverser ou remplacer les sièges de soupape selon la procédure "Maintenance de la Section des Liquides" décrite au chapitre Maintenance de ce manuel. 10. Faire réparer dans un centre d'entretien agréé par Titan.
D. Fuite de liquide dans la partie supérieure de la section des liquides.	<ol style="list-style-type: none"> 1. Les tampons graisseurs supérieurs sont usés. 2. La tige du piston est usée. 	<ol style="list-style-type: none"> 1. Regarnir selon la procédure "Maintenance de la Section des Liquides" décrite au chapitre Maintenance de ce manuel. 2. Remplacer la tige du piston selon la procédure "Maintenance de la Section des Liquides" décrite au chapitre Maintenance de ce manuel.

Dépannage

Problème

E. Trop grand afflux au pistolet vaporisateur.

Cause

1. Mauvais type de flexible de vaporisation sans air.
2. L'embout d'aspiration est usé ou trop grand.
3. Pression excessive.

Solution

1. Remplacer le flexible par un flexible de vaporisation de peinture sans air en tresse de textile de 1/4" et de 15m de longueur.
2. Remplacer l'embout d'aspiration selon les consignes qui accompagnent le pistolet de vaporisation.
3. Faire tourner le bouton de commande de la pression dans le sens inverse des aiguilles d'une montre pour réduire la pression d'évaporation.

F. Forme de vaporisation incorrecte.

1. L'embout d'aspiration est trop grand pour le produit utilisé.
2. Mauvais réglage de pression.
3. Sortie de liquide insuffisante.
4. Le produit vaporisé est trop visqueux.

1. Remplacer l'embout d'aspiration par un embout neuf ou plus petit selon les consignes qui accompagnent le pistolet de vaporisation.
2. Faire tourner le bouton de commande de la pression pour régler la pression sur une forme de vaporisation plus adaptée.
3. Nettoyer toutes les crépines et tous les filtres.
4. Ajouter du solvant au produit selon les recommandations du fabricant.

G. L'outil n'est pas alimenté électriquement.

1. Le réglage de la pression est trop faible.
2. Mauvaise tension d'alimentation.

1. Faire tourner le bouton de commande de la pression dans le sens des aiguilles d'une montre pour augmenter la pression.
2. Rebrancher sur 120 V AC.

Messages d'erreur du système de commande Digi-Trac^{MD}

Les écrans de messages d'erreur suivants apparaissent dès que le système de commande Digi-Trac^{DM} détecte un problème au pulvérisateur. Lorsqu'un problème survient et que le message d'erreur s'affiche, le pulvérisateur cesse de fonctionner.



Avant de continuer, suivre les directives de la section « Procédure de décompression » du présent manuel. Respecter également toutes les autres consignes de sécurité, afin d'éviter les blessures par injection, par contact avec une pièce mobile ou par choc électrique. Débrancher toujours le pulvérisateur avant la maintenance!

Écran « Vérifier le transducteur » (Check Transducer)

L'écran « Vérifier le transducteur » apparaît lorsque le transducteur est débranché ou défectueux. Pour réparation, apporter le pulvérisateur à un centre de service autorisé Titan.

CHECK TRANSDUCER

Écran « Vérifier le potentiomètre » (Check Transducer)

L'écran « Vérifier le potentiomètre » apparaît lorsque le potentiomètre est débranché ou défectueux. Pour réparation, apporter le pulvérisateur à un centre de service autorisé Titan.

CHECK
POTENTIOMETER

Écran « Basse tension » (Low Voltage)

L'écran « Basse tension » apparaît lorsque le pulvérisateur cesse de fonctionner à cause d'une tension d'entrée basse. Vérifier l'alimentation et corriger le problème. Remettre en marche le pulvérisateur et suivre la procédure « Peindre » de la section « Fonctionnement » du présent manuel.

LOW VOLTAGE

Écran « Température du moteur élevée » (High Motor Temperature)

L'écran « Température du moteur élevée » apparaît lorsque la température du moteur devient trop élevée. Pour réparation, apporter le pulvérisateur à un centre de service autorisé Titan.

HIGH MOTOR
TEMPERATURE

Écran « Charge mécanique élevée » (High Mechanical Load)

L'écran « Charge mécanique élevée » apparaît lorsque le pulvérisateur cesse de fonctionner à cause d'un courant élevé ou lorsque le pulvérisateur revient au mode de repli d'intensité. Pour réparation, apporter le pulvérisateur à un centre de service autorisé Titan.

HIGH MECHANICAL
LOAD



Información de seguridad importante • Lea toda la información de seguridad antes de operar el equipo. **GUARDE ESTAS INSTRUCCIONES.**



Indica una situación peligrosa que, de no evitarse, puede causar la muerte o lesiones graves.



Para reducir los riesgos de incendios, explosiones, descargas eléctricas o lesiones a las personas, lea y entienda todas las instrucciones incluidas en este manual. Familiarícese con los controles y el uso adecuado del equipo.

PELIGRO: LESIÓN POR INYECCIÓN

El flujo de pintura a alta presión que produce este equipo puede perforar la piel y los tejidos subyacentes, ocasionando lesiones graves y posible amputación. CONSULTE A UN MÉDICO INMEDIATAMENTE.



¡NO TRATE LA LESIÓN POR INYECCIÓN COMO UNA CORTADURA SIMPLE! La inyección puede ocasionar amputación. Consulte a un médico inmediatamente.

La gama operativa máxima de la pistola es de 3300 PSI / 22.8 MPa de presión del líquido.

PREVENCIÓN:

- NUNCA apunte la pistola a ninguna parte del cuerpo.
- No apunte con la pistola ni rocíe a cualquier persona o animal.
- NUNCA deje que ninguna parte del cuerpo toque el flujo de líquido. NO deje que el cuerpo toque una fuga de la manguera de líquido.
- NUNCA ponga la mano frente a la pistola. Los guantes no protegen contra una lesión por inyección.
- SIEMPRE ponga el seguro del gatillo, apague la bomba y libere toda la presión antes de dar servicio, limpiar la boquilla o protección, cambiar la boquilla o dejar la pistola sin supervisión. No se libera la presión al apagar el motor. Debe girarse la perilla PRIME/ SPRAY (CEBAR/ROCIAR) a PRIME (CEBAR) para aliviar la presión. Consulte el PROCEDIMIENTO PARA ALIVIAR LA PRESIÓN descrito en este manual.
- SIEMPRE mantenga la protección de la boquilla en su sitio al rociar. La protección de la boquilla sirve principalmente de dispositivo de advertencia.
- SIEMPRE retire la boquilla rociadora antes de enjuagar o limpiar el sistema.
- La manguera de pintura puede presentar fugas por desgaste, dobleces y maltrato. La fuga puede inyectar material traspasando la piel. Inspeccione la manguera antes de cada uso. No use mangueras para levantar o tirar del equipo.
- NUNCA use una pistola rociadora sin contar con el seguro y la protección del gatillo.
- Todos los accesorios deben tener capacidades nominales de 3300 PSI / 22.8 MPa como mínimo. Esto incluye las boquillas rociadoras, pistolas, extensiones y manguera.
- No deje el aparato con corriente ni con presión cuando nadie esté pendiente de ella. Cuando no utilice el aparato, apáguelo y libere la presión siguiendo las instrucciones del PROCEDIMIENTO PARA ALIVIAR LA PRESIÓN descrito en este manual.
- Antes de utilizar el aparato, verifique que todas las conexiones son seguras. Las partes no aseguradas pueden ser expulsadas con gran fuerza o filtrar fluido a alta presión y provocar lesiones severas.
- Ponga siempre el seguro del gatillo cuando no esté pulverizando. Verifique que el seguro del gatillo funciona correctamente.

NOTA PARA EL MÉDICO:

La inyección a través de la piel es una lesión traumática. Es importante tratar la lesión tan pronto sea posible. NO retrase el tratamiento para investigar la toxicidad. La toxicidad es un factor a considerar con ciertos revestimientos inyectados directamente en la corriente sanguínea. Puede ser aconsejable consultar con un cirujano plástico o un cirujano especialista en reconstrucción de las manos.

PELIGRO: VAPORES PELIGROSOS

Las pinturas, solventes, insecticidas y demás materiales pueden ser nocivos si se inhalan o toman contacto con el cuerpo. Los vapores pueden causar náuseas graves, desmayos o envenamamiento.



PREVENCIÓN:

- Use un respirador o mascarilla si pueden inhalarse los vapores. Lea todas las instrucciones suministradas con la mascarilla para revisar que brinde la protección necesaria.
- Use lentes protectores.
- Use ropa protectora según lo indique el fabricante del revestimiento.



PELIGRO: EXPLOSIÓN O INCENDIO

Los vapores de solventes y pinturas pueden explotar o inflamarse. Pueden producirse daños materiales, lesiones graves o ambos.



PREVENCIÓN:

- Cuenten con escape y entrada de aire fresco para mantener el aire dentro de la zona de aplicación sin acumulaciones de vapores inflamables. Los gases producidos por solventes o pinturas pueden causar explosiones o incendios.
- No rocíe en lugares cerrados.
- Evite todas las fuentes de ignición como las chispas de electricidad estática, las llamas expuestas, appliances electricidad, las luces piloto y los objetos calientes. La conexión o desconexión de cables eléctricos o interruptores de luz operativos puede producir chispas. Si la pintura o el solvente fluyen por el equipo se puede generar electricidad estática.
- No fume en el área de aplicación.
- Debe haber un extintor de incendios en buen estado.
- Coloque la bomba de pintura a un mínimo de 7.62 meters (25 pies) del objeto a pintar dentro de un área bien ventilada (añada más manguera si es necesario). Los vapores inflamables son generalmente más pesados que el aire. El área debe estar sumamente bien ventilada.
- El equipo y los objetos dentro y alrededor del área a pintar deben estar debidamente conectados a tierra para evitar las chispas de estática.
- Mantenga el área limpia y libre de contenedores de pintura o solvente, trapos y otros materiales inflamables.
- Use solamente una manguera conductora o conectada a tierra para líquidos a alta presión. La pistola debe conectarse a tierra a través de las conexiones de la manguera.
- Para las aparatos eléctricas — Debe conectarse el cable eléctrico a un circuito a tierra.
- Siempre enjuague la unidad dentro de un recipiente metálico separado, con la bomba a baja presión y habiendo sacado la boquilla rociadora. Sostenga la pistola firmemente contra el costado del recipiente para conectar a tierra el mismo y evitar chispas de estática.
- Siga las advertencias e instrucciones del fabricante del material y del solvente. Conozca los contenidos de las pinturas y los solventes con los que rocía. Lea todas las Hojas de Datos sobre Seguridad de Materiales (MSDS) y las etiquetas del contenedor provistas con las pinturas y los solventes. Siga las instrucciones de seguridad del fabricante de pinturas o solventes.
- Tenga muchísimo cuidado al usar materiales cuyo punto de ignición sea inferior a 70°F (21°C). El punto de inflamación es la temperatura a la que un fluido puede producir vapores suficientes para encenderse.
- El plástico puede causar chispas de estática. Nunca cuelgue plásticos para cerrar una zona a pintar. No use mantas plásticas al aplicar materiales inflamables.
- Use la presión más baja posible para enjuagar el equipo.
- No rocíe el ensamblaje de la bomba.





Información de seguridad importante • Lea toda la información de seguridad antes de operar el equipo. **GUARDE ESTAS INSTRUCCIONES.**

PELIGRO: POSIBLE EXPLOSIÓN DEBIDO A MATERIALES INCOMPATIBLES

Causará daños materiales o lesiones graves.



PREVENCIÓN:

- No use materiales que contengan blanqueador o cloro.
- No use solventes de hidrocarburos halogenados como blanqueador, mohocida, cloruro de metileno y 1,1,1 tricloroetano. No son compatibles con el aluminio.
- Diríjase al proveedor de revestimientos para obtener los datos de compatibilidad del material con el aluminio.

PELIGRO: GENERAL

Puede causar daños materiales o lesiones graves.

PREVENCIÓN:

- Lea todas las instrucciones y las precauciones de seguridad antes de operar el equipo.
- Siga todos los códigos locales, estatales y nacionales correspondientes que rijan la ventilación, prevención de incendios y operación.
- Se han adoptado las normas de seguridad del Gobierno de los Estados Unidos según la Ley de seguridad ocupacional y salud (Occupational Safety and Health Act, OSHA). Deben consultarse estas normas, particularmente el apartado 1910 de las Normas generales y el apartado 1926 de las Normas de construcción.
- Utilice solamente componentes autorizados por el fabricante. El usuario asume todo riesgo y responsabilidad al utilizar componentes que no cumplan con las especificaciones mínimas y requisitos de seguridad del fabricante de la bomba.
- Todos los acopladores, las mangueras y las tapas de los filtros deben estar asegurados antes de operar la bomba de rocío. Las partes no aseguradas pueden ser expulsadas con gran fuerza o filtrar fluido a alta presión y provocar lesiones severas.
- Antes de cada uso, revise todas las mangueras en busca de cortes, fugas, abrasión o hinchazón de la cubierta. Revise si hay daños o movimiento de los acoplamiento. Cambie inmediatamente la manguera si existe alguna de estas condiciones. Nunca repare una manguera de pintura. Cámbiela por otra manguera conectada a tierra apta para alta presión.
- No retuerza ni doble la manguera en exceso. En la manguera airless pueden aparecer fugas a causa del desgaste, de retorcimientos o de un mal uso. Una fuga puede inyectar material en la piel.
- No exponga la manguera a temperaturas o presiones que superen las especificadas por el fabricante.
- No pinte en exteriores en días con viento.
- Use ropa que mantenga la pintura alejada de la piel y el cabello.
- No lo opere ni rocíe cerca de los niños. Mantenga a los niños alejados del equipo en todo momento.
- No se asome ni se pare sobre soportes inestables. Mantenga siempre la posición firme y el equilibrio efectivos.
- Use la presión más baja posible para enjuagar el equipo.
- Manténgase alerta y mire lo que hace.
- No utilice la unidad cuando se encuentre cansado o bajo la influencia de las drogas o el alcohol.
- Para las aparatos eléctricas — Desenchufe siempre el cable antes de trabajar en el equipo.
- No utilice la manguera como elemento de fuerza para tirar del equipo o levantarlo.
- No levantar por la manija del carro al cargar o descargando.

Instrucciones para conectar a tierra

Este producto se debe conectar a tierra. En caso de que ocurra un corto circuito, la conexión a tierra reduce el riesgo de choque eléctrico al proporcionar un alambre de escape para la corriente eléctrica. Este producto está equipado con un cable que tiene un alambre de conexión a tierra con un enchufe de conexión a tierra apropiado. El enchufe se debe enchufar en una toma de corriente que se haya instalado y conectado a tierra debidamente, de acuerdo con todos los códigos y estatutos locales.

ADVERTENCIA - La instalación incorrecta del enchufe a tierra puede ocasionar un riesgo de choque eléctrico.



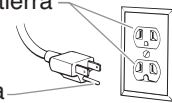
Si es necesario reparar o cambiar el cable o el enchufe, no conecte el cable verde a tierra a ninguno de los terminales de espiga plana. El cable con aislamiento de color verde por fuera con o sin rayas amarillas es el alambre a tierra y debe conectarse a la espiga a tierra.

Consulte a un electricista o técnico de servicio capacitado si las instrucciones para la conexión a tierra no se entienden claramente o si tiene dudas en cuanto a que el producto esté debidamente conectado a tierra. No modifique el enchufe que se incluye. Si el enchufe no encaja en el receptáculo, pida a un electricista capacitado que instale un receptáculo adecuado.

Receptáculo conectado a tierra

Pata a tierra

Tapa de la caja de receptáculo conectada a tierra



IMPORTANTE: Use solamente extensiones trifilares que tengan un enchufe de conexión a tierra de 3 hojas y un receptáculo de triple ranura que acepte el enchufe del producto. Asegúrese de que su extensión esté en buenas condiciones. Cuando use una extensión, asegúrese de usar una que sea lo suficientemente resistente como para soportar la corriente que descargue su producto. Un cable de un tamaño menor causará una caída de voltage en la línea que dará como resultado una pérdida de energía y un sobrecalentamiento. Se recomienda usar un cable de calibre 12. Si se utiliza un cable de extensión en el exterior, tiene que estar marcado con el sufijo W-A después de la designación del tipo de cable. Por ejemplo, SJWTW-A para indicar que el cable es apropiado para uso en exteriores.

IMPORTANTE: Cuando se usa el rociador con un generador o línea o sin control, uncontrolled line voltage, se recomienda que Titan's "Line Surge Protector" (P/N 800-935) se utiliza.

Specifications

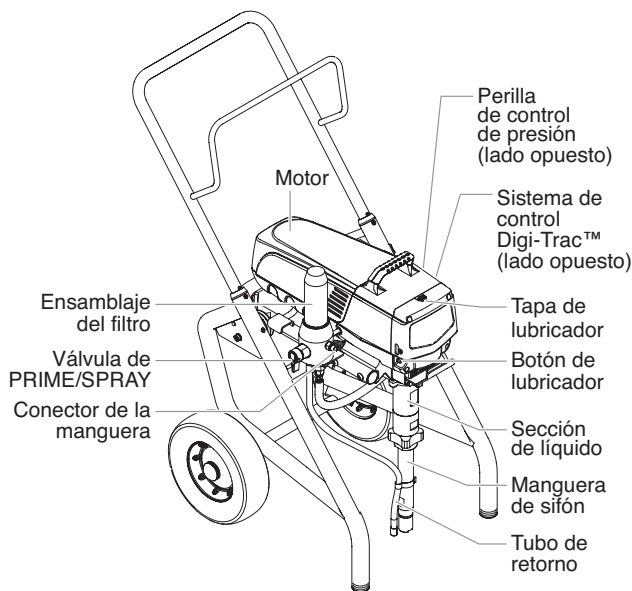
Capacidad (GPM)	
740.....	0.80 (3.0 LPM)
840.....	0.95 (3.6 LPM)
Tamaño max. de soportes	
740.....	0.029"
840.....	0.031"
Max presión de pulverización.....	3300 PSI (22.8 MPa)
Suministro eléctrico	
740.....	1.8 HP motor DC de Brushless
840.....	2.1 HP motor DC de Brushless
Voltage.....	100~120V AC, 50/60 Hz
Peso, carro.....	95 lbs. (43.1 kg)
Peso, bajo carro.....	81 lbs. (36.7 kg)
Cable de alimentación, dimensión máxima.....	300' (91.4 m)
Requisitos eléctricos de generador.....	5000 W (desactivar característica de hacia abajo)

Contenido

Precauciones de seguridad.....	30
Especificaciones	31
Descripción general	32
Funcionamiento.....	32
Configuración	32
Preparación para pintar.....	33
Pintura	33
Indicadores de panel de control	34
Operación de sistema de control Digi-Trac™	34-35
Procedimiento para aliviar la presión	35
Rociado	36
Técnica de rociado	36
Práctica	36
Limpieza	37
Mantenimiento	37
Notas generales de reparación y servicio	37
Reemplazo de los filtros	38
Reemplazo del motor	38
Reemplazo de los engranajes	39
Reemplazo del transductor	39
Reemplazo de la válvula de PRIME/SPRAY	40
Servicio a la sección de líquidos	40-42
Solución de problemas	42
Mensajes de error del sistema de control Digi-Trac™	43
Listados de piezas.....	44
Ensamblaje principal	44
Ensamblaje de la caja de engranajes	46
Ensamblaje de carro	47
Ensamblaje de la sección de líquidos	48
Ensamblaje del filtro	50
Ensamblaje de bajo carro	51
Ensamblaje del juego de succión (bajo carro)	52
Esquema eléctrico	53
Etiquetas	53
Accesorios	56
Garantía	59

Descripción general

Este rociador sin aire es una herramienta precisa que se utiliza para rociar diferentes tipos de materiales. Lea y siga este manual de instrucciones minuciosamente para ver las instrucciones de operación apropiadas, así como también información de mantenimiento y seguridad.



Funcionamiento



Este equipo produce un flujo constante a presiones extremadamente altas. Lea detalladamente las advertencias de la sección Precauciones de seguridad en la parte delantera de este manual antes de operar este equipo.

Configuración

Realice el procedimiento a continuación antes de enchufar el cable de alimentación de una unidad eléctrica.

1. Fíjese que el juego de succión y la manguera de retorno estén conectados y seguros.
2. Conecte un mínimo de 50 pies de manguera rociadora sin aire de nilón a la unidad.
3. Conecte la pistola rociadora sin aire a la manguera rociadora. No conecte todavía la punta a la pistola rociadora. Retire la punta si está conectada.

NOTA: Todavía no conecte la punta a la pistola rociadora. Quite la punta si ya estaba conectada.



Fíjese que todas las mangueras sin aire y las pistolas rociadoras estén conectadas a tierra y que tengan una capacidad nominal mínima de 3300 psi (22.8 MPa) de presión de fluido.

4. Fíjese que la perilla de control de presión esté en la posición OFF en la zona negra.
5. Fíjese que el interruptor de ON/OFF esté en la posición OFF.
6. Quite la tapa del lubricador usando un destornillador de punta plana. Llene el lubricador con una oz de lubricante de sello de pistón (Piston Lube). Coloque la tapa.
7. Presione el botón e 2-5 veces para preparar el lubricador para lubricar la sección de fluidos. Presione una vez para utilizarlo durante 8 horas para lubricar la sección de líquidos.

IMPORTANTE: Nunca haga funcionar la unidad durante más de 10 segundos sin líquido. La operación de esta unidad sin líquido ocasionará un desgaste innecesario de las empaquetaduras.

8. Revise que el servicio eléctrico sea de 120V, 15 amperios, como mínimo.
9. Enchufe el cable de alimentación en un tomacorriente con conexión a tierra apropiada a una distancia mínima de 25 pies del área de rociado.

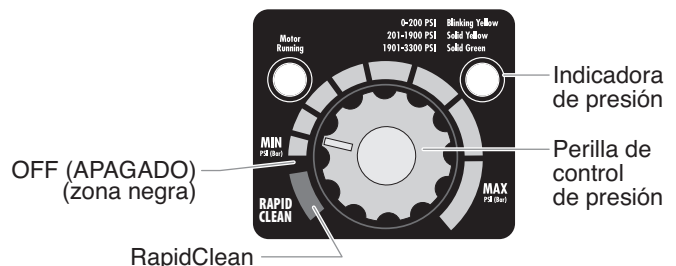
IMPORTANTE: Use siempre un cable de extensión de tres conductores, calibre 12 como mínimo, con enchufe conectado a tierra. Nunca retire la tercera pata ni use un adaptador.

Preparación de un rociador nuevo

Si esta unidad es nueva, se envía con un líquido de prueba en la sección de líquidos para evitar la corrosión durante el envío y almacenamiento. Este líquido debe retirarse completamente del sistema con alcoholes minerales antes de comenzar a rociar.

IMPORTANTE: Mantenga siempre el seguro del gatillo de la pistola rociadora en la posición bloqueada mientras prepara el sistema.

1. Coloque el tubo de succión en un recipiente de alcoholes minerales.
2. Coloque la manguera de retorno en un recipiente metálico para desecho.
3. Fije la presión al mínimo girando la perilla de control de presión al ajuste "MIN".



4. Mueva hacia abajo la válvula PRIME/SPRAY a la posición PRIME.

- Encienda la unidad moviendo el interruptor de ON/OFF a la posición ON.
- Deje funcionar el rociador entre 15 y 20 segundos para eliminar el resto del líquido de prueba a través de la manguera de retorno hacia el recipiente de desecho.
- Apague la unidad moviendo el interruptor de ON/OFF (ENCENDIDO/APAGADO) a la posición OFF (APAGADO).

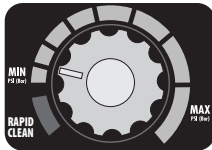
Preparación para pintar

Antes de pintar, es importante revisar que el líquido del sistema sea compatible con la pintura que va a utilizar.

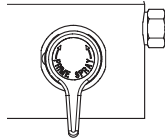
NOTA: Los líquidos y pinturas incompatibles pueden causar que se atasquen cerradas las válvulas, lo cual puede necesitar que se desmonte y limpie la sección de líquidos del rociador.

IMPORTANTE: Mantenga siempre el seguro del gatillo de la pistola rociadora en la posición bloqueada mientras prepara el sistema.

- Coloque el tubo de succión en un recipiente con el solvente apropiado. Los solventes apropiados son, por ejemplo, agua para pintura látex o alcoholes minerales para las pinturas a base de aceite.
- Coloque la manguera de retorno en un recipiente metálico para desecho.
- Fije la presión al mínimo girando la perilla de control de presión al ajuste "MIN".
- Mueva hacia abajo la válvula PRIME/SPRAY a la posición PRIME.



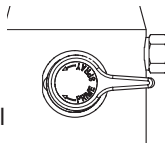
NOTA: Sujete el tubo de retorno en el contenedor de residuos al mover el PRIME / SPRAY válvula de PRIME en caso de que el pulverizador es presurizado.



- Encienda la unidad moviendo el interruptor de ON/OFF a la posición ON.
- Deje funcionar el rociador entre 15 y 30 segundos para eliminar el resto del solvente anterior a través de la manguera de retorno hacia el recipiente metálico de desecho.
- Apague la unidad moviendo el interruptor de ON/OFF a la posición OFF.

NOTA: Fíjese que la pistola rociadora no tenga instalada una punta o protección de punta.

- Mueva hacia arriba la válvula PRIME/SPRAY a la posición SPRAY.
- Encienda la unidad.
- Desbloquee la pistola girando el seguro del gatillo de la pistola a la posición liberada.



Conecte a tierra la pistola apoyándola contra el borde del recipiente de metal mientras elimina el líquido. De lo contrario puede provocar la descarga de electricidad estática, lo cual a su vez puede ocasionar un incendio.



- Apriete el gatillo en el recipiente metálico para desecho hasta que el solvente usado salga y comience a salir solvente fresco de la pistola.
- Bloquee la pistola girando el seguro del gatillo de la pistola a la posición bloqueada.
- Deje hacia abajo la pistola y aumente la presión girando la perilla de control de presión lentamente en el sentido horario hacia la zona verde.
- Revise todo el sistema en busca de fugas. Si ocurren fugas, siga el



"Procedimiento para aliviar la presión" en este manual antes de apretar conectores o mangueras.

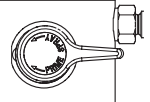
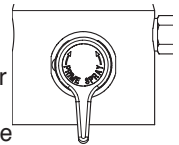
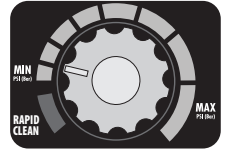
- Siga el "Procedimiento para aliviar la presión" de este manual antes de cambiar de solvente a pintura.



No deje de seguir el procedimiento para aliviar la presión cuando apague la unidad por cualquier motivo, incluso el servicio o ajuste de alguna pieza del sistema de rociado, cambio o limpieza de las puntas rociadoras o la preparación para la limpieza.

Pintura

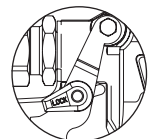
- Coloque el tubo de succión en un recipiente de pintura.
- Coloque la manguera de retorno en un recipiente metálico para desecho.
- Fije la presión al mínimo girando la perilla de control de presión al ajuste "MIN".
- Mueva hacia abajo la válvula PRIME/SPRAY a la posición PRIME.
- Encienda la unidad moviendo el interruptor de ON/OFF a la posición ON.
- Deje funcionar el rociador hasta que empiece a pasar pintura a través de la manguera de retorno hacia el recipiente metálico de desecho.
- Apague la unidad moviendo el interruptor de ON/OFF a la posición OFF.
- Retire la manguera de retorno del recipiente para desecho y colóquela en la posición de operación, sobre el recipiente de pintura.
- Mueva hacia arriba la válvula PRIME/SPRAY a la posición SPRAY.
- Encienda la unidad.
- Desbloquee la pistola girando el seguro del gatillo de la pistola a la posición liberada.



Conecte a tierra la pistola apoyándola contra el borde del recipiente de metal mientras elimina el líquido. De lo contrario puede provocar la descarga de electricidad estática, lo cual a su vez puede ocasionar un incendio.



- Apriete el gatillo en el recipiente metálico para desecho hasta que todo el aire y el solvente usado salga de la manguera rociadora y comience a salir pintura libremente de la pistola.
- Bloquee la pistola girando el seguro del gatillo de la pistola a la posición bloqueada.
- Apague la unidad.
- Coloque la protección y la punta en la pistola según se indica en los manuales de las mismas.



Coloque el seguro del gatillo en la posición de bloqueo



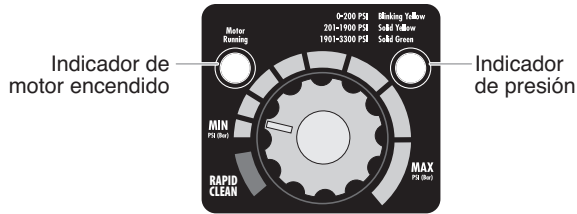
POSIBLE PELIGRO DE INYECCIÓN. No rocíe sin la protección de la punta en su lugar. Nunca apriete el gatillo de la pistola a menos que la punta esté en la posición de rociado o desatasco. Siempre coloque el seguro del gatillo de la pistola antes de retirar, reemplazar o limpiar la punta.

- Encienda la unidad.
- Aumente la presión girando la perilla de control de presión lentamente en el sentido horario hacia la zona verde y pruebe el patrón de rociado en un trozo de cartón. Ajuste la perilla de control de presión hasta que la pistola rocíe en forma completamente atomizada.

NOTA: Si se sube la presión más de lo necesario para atomizar la pintura causará el desgaste prematuro de la punta y rociará en exceso.

Indicadores de panel de control

A continuación se presenta una descripción de los indicadores de panel de control.



Indicador de presión

El indicador de presión muestra la actual presión de funcionamiento del rociador. Tiene tres indicaciones distintas: amarillo intermitente, amarillo fijo y verde fijo.

Amarillo intermitente

Cuando el indicador de presión está en amarillo intermitente, el rociador está funcionando entre 0 y 200 PSI. El indicador de presión amarillo intermitente significa que:

- El rociador está enchufado y en posición "ON"
- El rociador tiene presión de cebado (sin presión o con poca presión)
- Se puede cambiar de posición la válvula PRIME/SPRAY con seguridad
- Se puede cambiar o reemplazar la punta rociadora con seguridad (consulte las instrucciones para su reemplazo en el manual de la pistola)

NOTA: Si el indicador de presión comienza a parpadear en amarillo cuando la perilla de control de presión está ajustada a una mayor presión y la válvula PRIME/SPRAY está en posición SPRAY, ya sea la punta rociadora está desgastada, o hay una fuga, o bien el rociador necesita servicio o reparación.

Amarillo fijo

Cuando el indicador de presión está en amarillo fijo, el rociador está funcionando entre 200 y 1800 PSI. El indicador de presión amarillo fijo significa que:

- El rociador tiene un ajuste de presión adecuado para el rociado de tintes, lacas, barnices, y diversos colores
- Si el indicador de presión pasa a amarillo fijo cuando la presión está ajustada de tal manera que comienza en verde fijo, indica una de las siguientes cosas:
 - a. **Indicador de punta desgastada** — cuando se rocía con látex o a alta presión aparece el amarillo fijo. Esto significa que la punta está desgastada y se debe reemplazar.
 - b. **Punta demasiado grande** — cuando se pone en la pistola una punta demasiado grande para el rociador, el indicador de presión pasará de verde fijo a amarillo fijo.
 - c. **Sección de líquidos desgastada** — si aparece un indicador de presión amarillo fijo cuando se utiliza una punta nueva y la presión está ajustada al máximo, puede ser necesario darle servicio (empaquetaduras desgastadas, pistón desgastado, válvula atascada, etc.).

Verde fijo

Cuando el indicador de presión está en verde fijo, el rociador está funcionando entre 1800 y 3300 PSI. El indicador verde fijo significa:

- El rociador tiene el ajuste de presión adecuado para rociar pinturas a base de aceite o de látex
- El rociador está funcionando en su máximo rendimiento con un ajuste de alta presión

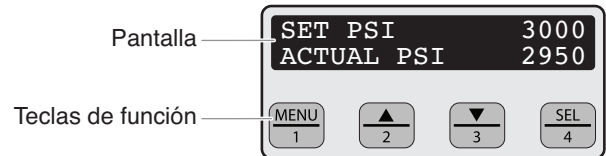
Indicador de motor en marcha

El indicador de motor en marcha está encendido cuando el motor ha recibido la orden de ponerse en marcha. Este indicador es utilizado por los centros de servicio para solucionar problemas de los motores.

NOTA: Si el motor está en marcha y los indicadores de presión parpadean alternadamente, significa que se sobrecalentó el motor. Apague la bomba y deje que se enfríe.

Operación de sistema de control Digi-Trac™

El sistema de control Digi-Trac™ es un accesorio opcional que aumenta la funcionalidad del pulverizador. Se instala directamente bajo la perilla de control de presión en el panel de control. Consta de una pantalla y cuatro teclas de función. La pantalla muestra diversas pantallas de menú que le permiten al usuario personalizar y controlar el funcionamiento del pulverizador con teclas de función.



Teclas de función

Las teclas de función están numeradas de la 1 a la 4. Además, cada una está etiquetada con una función adicional.

Nº 1/Tecla Menu (Menú)

Al presionar la tecla Nº 1, se desplaza por las pantallas de menú disponibles o realiza una función que se describe en la pantalla de menú activa.

Nº 2/Tecla +

Al presionar la tecla Nº 2, se realiza una función que se describe en la pantalla de menú activa o aumenta un valor.

Nº 3/Tecla -

Al presionar la tecla Nº 3, realiza una función que se describe en la pantalla de menú activa o disminuye un valor.

Tecla Nº 4/Select

Al presionar la tecla Nº 4 se selecciona la pantalla de menú activa o realiza una función que se describe en la pantalla de menú activa.

Pantallas de menú

Varias pantallas de menú están disponibles para que el usuario personalice y controle la operación del pulverizador. Estas incluyen Main Screen (Pantalla principal), Gallons Pumped (Galones bombeados), Job Gallons (Galones de trabajo), Unit Serial # (Nº de serie de la unidad), Timers (Temporizadores), Job Timers (Temporizadores de trabajo), Service Time (Tiempo de servicio), Pressure (Presión), Security Code (Código de seguridad), Prime (Cebador) y RAPID CLEAN (Limpieza rápida).

Pantalla principal

La pantalla principal es la pantalla predeterminada para el sistema de control durante el arranque del pulverizador. Al presionar Nº 2 se alterna entre las unidades de medición PSI y MPa. Presione la tecla Nº 1 para desplazarse por las pantallas de menú restantes.

```
SET PSI      3000
ACTUAL PSI   2950
```

Pantalla Gallons Pumped

La pantalla Gallons Pumped muestra el número de galones o litros que ha pulverizado el pulverizador.

```
GALLONS PUMPED
MENU-1        SELECT-4
```

Para seleccionar la pantalla Gallons Pumped (Galones bombeado), presione la tecla Nº 4.

```
GALLONS XXXXXX
PRESS 1 FOR MENU
```

Pantalla Job Gallons

La pantalla Job Gallons permite que el usuario restablezca el contador de galones para registrar el uso en trabajos específicos.

```
JOB GALLONS
MENU-1        SELECT-4
```

Para seleccionar la pantalla Job Gallons (Galones de trabajo), presione la tecla Nº 4.

```
JOB GALLONS   XXXX
RESET-3       MENU-1
```

Pantalla Unit Serial

La pantalla Unit Serial # muestra el número de serie de los pulverizadores.

Seleccione la pantalla Unit Serial #, presione la tecla N° 4.

UNIT SERIAL #
MENU-1 SELECT-4

SER # XXXXXXXXXX
PRESS 1 FOR MENU

Pantalla Timers

La pantalla Timers muestra el tiempo total que el pulverizador ha estado encendido y el tiempo total de funcionamiento del pulverizador (bombeando).

Para seleccionar la pantalla Timers, presione la tecla N° 4.

TIMERS
MENU-1 SELECT-4

ON TIME XXXX:XX
RUN TIME XXXX:XX

Pantalla Job Timers

La pantalla Job Timers permite que el usuario restablezca los valores "ON TIME" (Tiempo encendido) y "RUN TIME" (Tiempo de funcionamiento) del registro de tiempo en trabajos específicos.

Para seleccionar la pantalla Job Timers, presione la tecla N° 4. La pantalla alternará entre los temporizadores y una pantalla que le permite al usuario restablecer los temporizadores.

JOB TIMERS
MENU-1 SELECT-4

ON TIME XXXX:XX
RUN TIME XXXX:XX

Pantalla Service Time

La pantalla Service Time le permite al usuario configurar un intervalo de servicio (en horas). Bajo el tiempo que se configure, la pantalla muestra la cantidad actual de horas en el pulverizador. Para seleccionar la pantalla Service Timer, presione la tecla N° 4.

La pantalla alternará entre las horas de servicio y una pantalla que le permite al usuario cambiar el intervalo de servicio.

Cuando se ajusta el intervalo de servicio y se cumplen las horas de funcionamiento, la pantalla alternará entre la "pantalla principal" y una pantalla "Service Required" (Se requiere servicio) en el arranque del pulverizador. Para detener la alternancia, desplace la pantalla "Service Time" y ajuste un nuevo intervalo de servicio o ajuste el tiempo de servicio en "0".

SERVICE TIME
MENU-1 SELECT-4

SERVICE @ XXXHR
RUN HOURS XX

Pantalla Pressure

La pantalla Pressure permite que el usuario vea el valor de referencia actual de la presión y la presión de trabajo real.

Seleccione la pantalla Pressure, presione la tecla N° 4. Esta pantalla también es la pantalla principal.

PRESSURE
MENU-1 SELECT-4

SET PSI 3000
ACTUAL PSI 2950

Pantalla Security Code

La pantalla Security Code le permite al usuario configurar un código de seguridad de cuatro dígitos para evitar el uso no autorizado del pulverizador. Si se ha configurado un código de seguridad, la pantalla del sistema de control le pedirá el código durante el inicio. Si se ingresa el código erróneo, la pantalla mostrará la pantalla principal y funcionará el pulverizador. Si se ingresa el código erróneo, la pantalla continuará preguntando el código correcto y se deshabilitará el pulverizador. Para configurar o cambiar el código de seguridad, presione la tecla N° 2.

NOTA: Si el pulverizador es nuevo, no hay código de seguridad configurado y aparecerá la pantalla principal en el inicio. Además, cuando se seleccione por primera vez un código de seguridad, no aparecerá la pantalla "Enter Old Code Number" (Ingrese el número de código antiguo).

SECURITY CODE
MENU-1 CHANGE-2

Ingrese el número de código de seguridad antiguo para acceder a la pantalla que permita cambiar el código. Si se ingresa el código erróneo, la pantalla continuará preguntando el código correcto y no se podrá cambiar el código de seguridad.

ENTER OLD CODE
NUMBER

Ingrese el código de seguridad nuevo.

Cuando se ingrese el código nuevo, la pantalla le pedirá automáticamente que vuelva a ingresarlo para fines de verificación. Si se vuelve a ingresar el mismo código nuevo, la pantalla confirmará que se aceptó el código nuevo y regresará a la pantalla principal. Si se vuelve a ingresar incorrectamente el código nuevo, la pantalla regresará a la pantalla "Enter New Code Number" y se repetirá el proceso.

ENTER NEW CODE
NUMBER

NOTA: Para desactivar la función de seguridad de bloqueo digital antirrobo, ingrese "1111" en la pantalla "Enter New Code Number" (éste es el código predeterminado que desbloquee el pulverizador). Como resultado, aparecerá la pantalla principal durante el arranque del pulverizador.

Pantalla Prime

La pantalla Prime aparece cuando la perilla de control de presión se ajusta en "MIN" (Mín).

PRIME

Pantalla Rapid Clean

La pantalla Rapid Clean aparece cuando se ajusta la perilla de control de presión en la posición RAPID CLEAN y la válvula PRIME/SPRAY (Pulverizar/Cebar) está en la posición PRIME (Cebiar).

RAPID CLEAN
ACTUAL PSI XXXX

NOTA: Si no existe actividad en ninguna pantalla de menú durante 30 segundos, la pantalla volverá a la pantalla principal.

Procedimiento para aliviar la presión

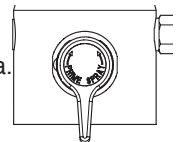


No deje de seguir el procedimiento para aliviar la presión cuando apague la unidad por cualquier motivo, incluso el servicio o ajuste de alguna pieza del sistema de rociado, cambio o limpieza de las puntas rociadoras o la preparación para la limpieza.

1. Bloquee la pistola girando el seguro del gatillo de la pistola a la posición bloqueada.
2. Apague la unidad moviendo el interruptor de ON/OFF a la posición OFF.
3. Gire la perilla de control de presión en sentido antihorario a su posición OFF en la zona negra.
4. Desbloquee la pistola girando el seguro del gatillo de la pistola a la posición liberada.
5. Sostenga firmemente la parte metálica de la pistola contra el lado de un recipiente metálico para conectar a tierra la pistola y evitar la acumulación de electricidad estática.
6. Accione el gatillo para aliviar toda presión que haya quedado en la manguera.
7. Bloquee la pistola girando el seguro del gatillo de la pistola a la posición bloqueada.
8. Mueva hacia abajo la válvula PRIME/SPRAY a la posición PRIME.



Coloque el seguro del gatillo en la posición de bloqueo



Rociado



POSIBLE PELIGRO DE INYECCIÓN. No rocíe sin la protección de la punta en su lugar. Nunca apriete el gatillo de la pistola a menos que la punta esté en la posición de rociado o desatasco. Siempre coloque el seguro del gatillo de la pistola antes de retirar, reemplazar o limpiar la punta.

Técnica de rociado

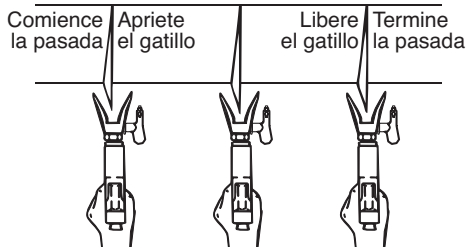
Cuando se sigan las técnicas a continuación, se asegurarán resultados profesionales al pintar.

Sostenga la pistola en forma perpendicular a la superficie y siempre a la misma distancia. Dependiendo del tipo de material, superficie o patrón de rociado deseado, la pistola debe sostenerse a una distancia entre 12 a 14 pulgadas (30 a 35 cm).

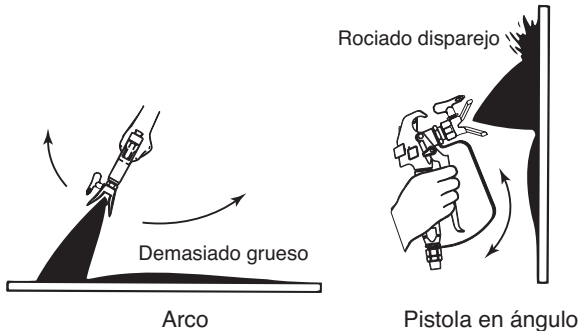
Mueva la pistola ya sea horizontal o verticalmente por la superficie a una velocidad constante. Moviendo la pistola a una velocidad constante se conserva material y se obtiene una cobertura pareja. La velocidad de rociado correcta permite aplicar una capa de pintura fresca sin chorrear ni exceder la cantidad de pintura.

Si se sostiene la pistola más cerca de la superficie se deposita más pintura sobre la superficie y se produce un patrón de pintura más angosto. Si se sostiene la pistola más lejos de la superficie se produce una capa más delgada de pintura y un patrón de rociado más amplio. Si ocurren chorreos, corrimiento o exceso de pintura, cambie a una punta de rociado con un orificio más pequeño. Si hay una cantidad insuficiente de pintura en la superficie o desea rociar más rápido, debe seleccionar una punta con orificio más grande.

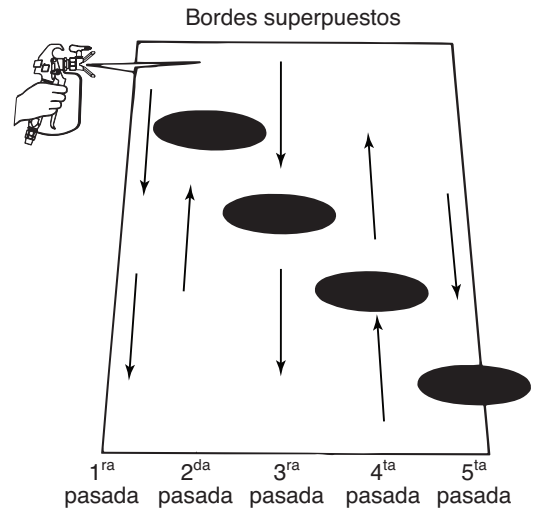
Haga una pasada uniforme para rociar. Rocíe en forma alternada de izquierda a derecha y viceversa. Comience el movimiento de la pistola antes de presionar el gatillo.



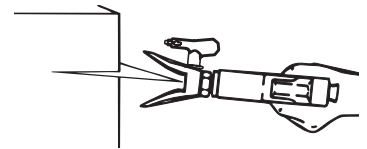
Evite hacer arcos o sostener la pistola en ángulo. Esto causará un aspecto disparejo.



La superposición adecuada (solapando el patrón de rociado) es algo indispensable para lograr un acabado parejo. Superponga cada pasada. Si rocía horizontalmente, apunte al borde inferior de la pasada precedente, de tal modo que se superponga al patrón anterior en un 50%.



Para las esquinas y bordes, separe el centro del patrón de rociado en la esquina o borde y rocíe verticalmente de manera que ambas secciones reciban aproximadamente la misma cantidad de pintura.



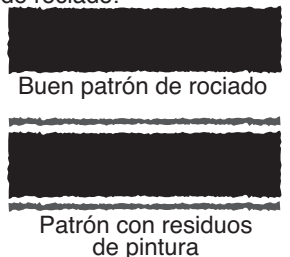
Cuando rocíe con una protección, sosténgala firmemente contra la superficie. Coloque la pistola levemente en ángulo apuntando desde la protección hacia la superficie. Esto evitará que se fuerce pintura por debajo.

Los arbustos junto a las casas deben amarrarse hacia atrás y cubrirse con tela de lona. La tela debe quitarse lo más pronto posible. Las extensiones de pistola Titan son sumamente útiles en estas situaciones.

Deben alejarse o cubrirse los objetos cercanos como automóviles, muebles de terraza, etc. siempre que se encuentren en la cercanía de un trabajo de pintura. Tenga cuidado con otros objetos circundantes que puedan dañarse con el exceso de rociado.

Práctica

1. Revise que la manguera de pintura no tenga dobleces y esté alejada de objetos con bordes cortantes.
2. Fije la presión al mínimo girando la perilla de control de presión al ajuste "MIN".
3. Gire hacia arriba la válvula PRIME/SPRAY a su posición SPRAY.
4. Gire la perilla de control de presión en sentido horario hasta el ajuste más alto. La manguera de pintura se endurecerá a medida que la pintura comience a fluir.
5. Libere el seguro del gatillo de la pistola.
6. Apriete el gatillo de la pistola rociadora para purgar el aire de la manguera.
7. Cuando la pintura llegue a la boquilla, rocíe un área de prueba para examinar el patrón de rociado.
8. Use el ajuste de presión más bajo necesario para obtener un buen patrón de rociado. Si el ajuste de presión está muy alto, el patrón de rociado será muy liviano. Si la presión es demasiado baja, aparecerán residuos o la pintura salpicará en exceso en lugar de salir como un rocío fino.



Limpieza



Instrucciones de limpieza especiales para usar con solventes inflamables:

- Siempre lave la pistola rociadora preferiblemente afuera y alejada por lo menos un largo de manguera de la bomba rociadora.
- Si recoge los solventes lavados en un recipiente metálico de un galón, colóquelo en un recipiente vacío de cinco galones, luego lave los solventes.
- El área debe estar libre de vapores inflamables.
- Siga todas las instrucciones de limpieza.

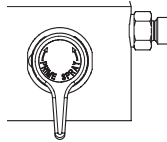
IMPORTANTE: Deben limpiarse el rociador, la manguera y la pistola totalmente después del uso diario. De lo contrario, se permite la acumulación de material, afectando seriamente el rendimiento de la unidad.



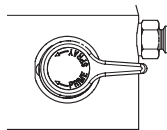
Siempre rocíe con la presión mínima y sin la boquilla de la pistola al utilizar alcoholes minerales u otros solventes para limpiar el rociador, la manguera o la pistola. La acumulación de electricidad estática puede producir un incendio o explosión en la presencia de vapores inflamables.

1. Siga el “Procedimiento de alivio de presión” de la sección Operación de este manual.
2. Retire la punta de la pistola y la protección y limpie con un cepillo usando el solvente adecuado.
3. Coloque el tubo de succión en un recipiente con el solvente apropiado. Los solventes apropiados son, por ejemplo, agua para pintura látex o alcoholes minerales para las pinturas a base de aceite.
4. Coloque la manguera de retorno en un recipiente metálico para desecho.
5. Mueva hacia abajo la válvula PRIME/SPRAY a su posición PRIME.

NOTA: Sujete el tubo de retorno en el contenedor de residuos al mover el PRIME / SPRAY válvula de PRIME en caso de que el pulverizador es presurizado.



6. Fije la presión en RAPID CLEAN girando la perilla de control de presión a su posición RAPID CLEAN.
7. Encienda la unidad moviendo el interruptor de ON/OFF a la posición ON.
8. Deje circular el solvente a través de la unidad y purgue la pintura de la manguera de retorno hacia el recipiente metálico para desecho.
9. Apague la unidad moviendo el interruptor de ON/OFF a la posición OFF.
10. Mueva hacia arriba la válvula PRIME/SPRAY a su posición SPRAY.
11. Encienda la unidad.



Conecte a tierra la pistola apoyándola contra el borde del recipiente de metal mientras elimina el líquido. De lo contrario puede provocar la descarga de electricidad estática, lo cual a su vez puede ocasionar un incendio.



12. Dispare la pistola en el recipiente metálico para desecho hasta que se haya purgado toda la pintura de la manguera y esté saliendo solvente de la pistola.
13. Continúe apretando el gatillo de la pistola rociadora en el recipiente de desecho hasta que el solvente que salga por la pistola esté sin pintura.

NOTA: Para el almacenamiento a largo plazo o en temperaturas frías, haga pasar alcoholes minerales a través del sistema completo.

Para el almacenamiento a corto plazo cuando esté usando pintura látex, haga pasar agua mezclada con Titan Liquid Shield a través del sistema completo (para ver el número de pieza, consulte la sección Accesorios de este manual).

14. Siga el “Procedimiento de alivio de presión” de la sección Operación de este manual.
15. Desenchufe la unidad y almacénela en un área limpia y seca.

IMPORTANTE: No almacene la unidad bajo presión.

Mantenimiento



Antes de proceder, siga el Procedimiento de alivio de presión presentado anteriormente en este manual. Además, siga todas las otras advertencias para reducir el riesgo de una lesión por inyección, lesiones por piezas en movimiento o choque eléctrico. ¡Siempre desenchufe el rociador antes de darle servicio!

Notas generales de reparación y servicio

Se necesitan las herramientas siguientes para reparar el rociador:

Destornillador Phillips	Llave hexagonal de 3/8 de pulgada
Alicates de punta	Llave hexagonal de 5/16 de pulgada
Llave ajustable	Llave hexagonal de 1/4 de pulgada
Mazo de goma	Llave hexagonal de 3/16 de pulgada
Destornillador de paleta	Llave hexagonal de 5/32 de pulgada
	Llave hexagonal de 5/64 de pulgada

1. Antes de reparar alguna parte del rociador, lea minuciosamente las instrucciones, incluidas todas las advertencias.

IMPORTANTE: Nunca tire del cable para desconectarlo. Al hacerlo podría soltarse el conector del cable.

2. Pruebe su reparación antes de usar rociador normalmente para verificar que se haya resuelto el problema. Si el rociador no funciona bien, revise el procedimiento de reparación para determinar si todo se ha realizado en forma correcta. Consulte los cuadros de Solución de problemas para ayudar a identificar otros problemas posibles.
3. Compruebe que el área de servicio esté bien ventilada en caso de que se estén utilizando solventes durante la limpieza. Al hacer el mantenimiento siempre use gafas de protección. Puede que se necesite equipo protector adicional dependiendo del tipo de solvente de limpieza. Siempre pida recomendaciones al proveedor de solventes.
4. Si tiene otras preguntas referentes al rociador Titan, llame a Titan:

Servicio al cliente (EE.UU.)..... 1-800-526-5362

Fax 1-800-528-4826

Servicio al cliente (Canadá) 1-800-565-8665

Fax..... 1-905-856-8496

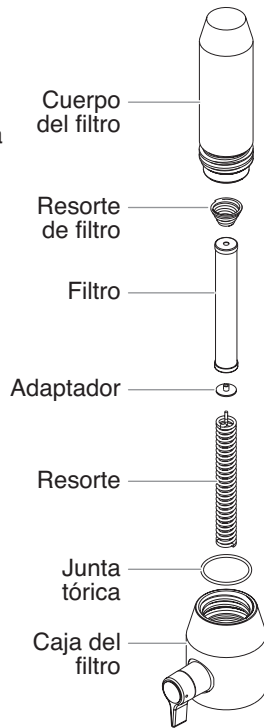
Servicio al cliente (Internacional) 1-201-337-1240

Fax 1-201-405-7449

Reemplazo de los filtros

Filtro de la bomba

1. Suelte y retire el cuerpo del filtro con la mano.
2. Deslice el filtro fuera del resorte del centro.
3. Inspeccione el filtro. En base a la inspección, limpie o reemplace el filtro.
4. Inspeccione la junta tórica. En base a la inspección, limpie o reemplace la junta tórica.
5. Deslice el filtro limpio o nuevo sobre el resorte del centro con el adaptador del resorte del filtro en su lugar. Empuje el filtro en el centro de la carcasa del filtro.
6. Deslice el cuerpo del filtro sobre el filtro y rósqelo en la carcasa del filtro hasta que quede fijo.



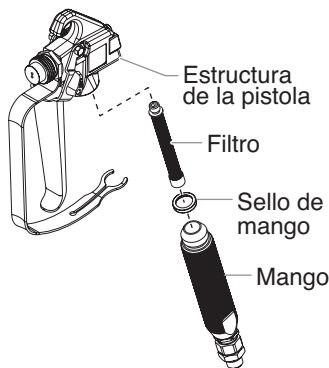
NOTA: La carcasa del filtro se debe apretar con la mano, pero asegúrese de que ésta esté asentada completamente en el bloque de la bomba.

Filtro de la pistola

1. Mueva el seguro del gatillo de la pistola a la posición desbloqueada.
2. Suelte y retire el mango del cuerpo de la pistola.
3. Destornille el filtro del cuerpo de la pistola girándolo en el sentido de las agujas del reloj.

NOTA: Las roscas hacia la izquierda requieren que se gire el filtro en el sentido de las agujas del reloj para retirarlo.

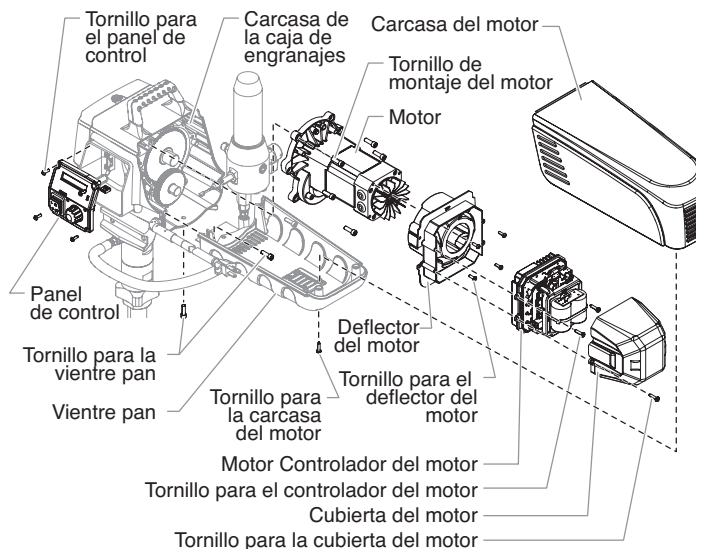
4. Atornille el filtro limpio o nuevo en el cuerpo de la pistola girando en sentido contrario al de las agujas del reloj.
5. Asegúrese de que el sello del mango esté en posición y rosque el mango en el cuerpo de la pistola hasta que esté fijo.
6. Mueva el seguro del gatillo de la pistola a la posición bloqueada.



NOTA: Para ver mayores detalles, información de números de pieza y dibujos de montaje a mayor escala, consulte el manual del propietario de la pistola sin aire profesional LX-80 (Núm. 313-2293).

Reemplazo del conjunto de motor

1. Desconecte la unidad.
2. Suelte y retire los dos (2) tornillos de la carcasa del motor. Retire la carcasa del motor.
3. Suelte y retire los tres (3) tornillos de la ventre pan. Retire la ventre pan.
4. Suelte y retire los dos (2) tornillos de la cubierta del motor. Retire la cubierta del motor.
5. Desconecte todos los cables entre el motor y el pulverizador.
6. Suelte y retire los cuatro (4) tornillos del panel de control. Retire el panel de control.
7. Desconecte los cables entre el motor y el panel de control.
8. Suelte y retire los dos (2) tornillos del controlador del motor. Retire el controlador del motor.
9. Suelte y retire los cuatro (4) tornillos del deflector del motor. Retire el deflector del motor.
10. Suelte y retire los seis (6) tornillos de montaje del motor.
11. Retire el motor de la carcasa de la caja de engranajes.
12. Con el motor retirado, inspeccione los engranajes en la carcasa de la caja de engranajes para saber si hay daños o desgaste excesivo. Reemplace los engranajes, si fuese necesario.
13. Instale el nuevo motor en la carcasa de la caja de engranajes.
14. Fije el motor con los seis (6) tornillos de montaje del motor.
15. Vuelva a conectar los cables entre el pulverizador y el nuevo motor (consulte el esquema eléctrico en la sección Lista de piezas de este manual).
16. Coloque el deflector sobre el extremo del conjunto de motor. Fíjelo con los cuatro (4) tornillos del deflector del motor.
17. Coloque el controlador del motor de vuelta en su lugar detrás del deflector del motor. Fíjelo con los dos (2) tornillos del controlador del motor.
18. Vuelva a conectar todos los cables entre el motor y el pulverizador.
19. Vuelva a conectar los cables entre el motor y el panel de control.
20. Vuelva a colocar el panel de control y fíjelo con los cuatro (4) tornillos para el panel de control.
21. Coloque la cubierta del motor de vuelta sobre el controlador del motor. Fíjela con los dos (2) tornillos para la cubierta del motor.
22. Coloque la ventre pan de vuelta en su lugar y fíjela con los tres (3) tornillos para la ventre pan.
23. Deslice la carcasa del motor sobre el conjunto de motor.
24. Fije la carcasa del motor con los dos (2) tornillos para la carcasa del motor.

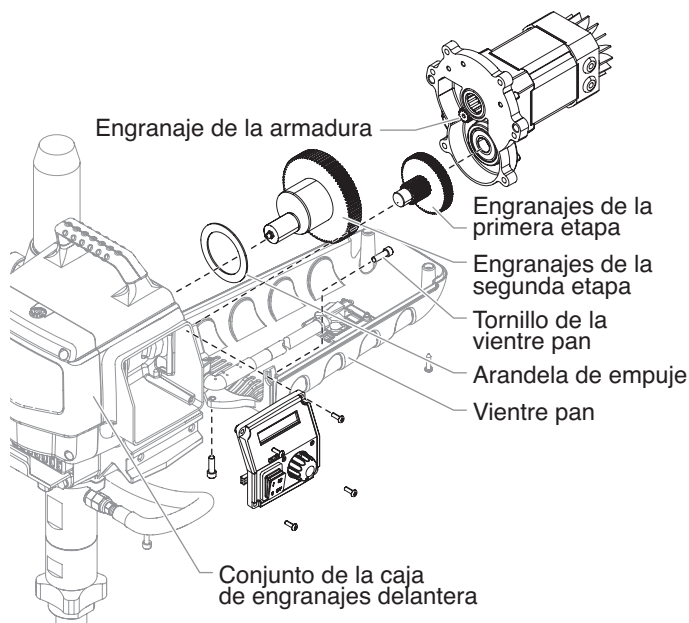


Reemplazo de los engranajes

1. Siga los pasos 1-11 en Reemplazo del conjunto de motor (página 38) para retirar el motor y el panel de control.
2. Inspeccione el engranaje de la armadura en el extremo del motor para saber si tiene daños o presenta desgaste excesivo. Si el engranaje está completamente desgastado, reemplace el conjunto de motor.
3. Retire e inspeccione los conjuntos de la primera y la segunda etapa de engranajes para saber si tienen daños o presentan desgaste excesivo. Reemplácelos, si fuese necesario.
4. Inspeccione que el conjunto de la caja de engranajes delantera para saber si tiene daños o presenta desgaste excesivo. Si están dañados o desgastados, reemplace el conjunto de la caja de engranajes delantera.

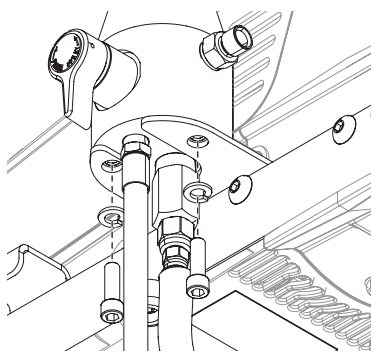
NOTA: Limpie y vuelva a llenar la cavidad de la caja de engranajes hasta la superficie posterior de cada engranaje con Lubriplate (N°P 314-171).

5. Vuelva a instalar el motor en la carcasa de la caja de engranajes.
6. Siga los pasos 13-24 en Reemplazo del conjunto de motor (página 38) para reemplazar el motor y el panel de control.



Reemplazo del transductor

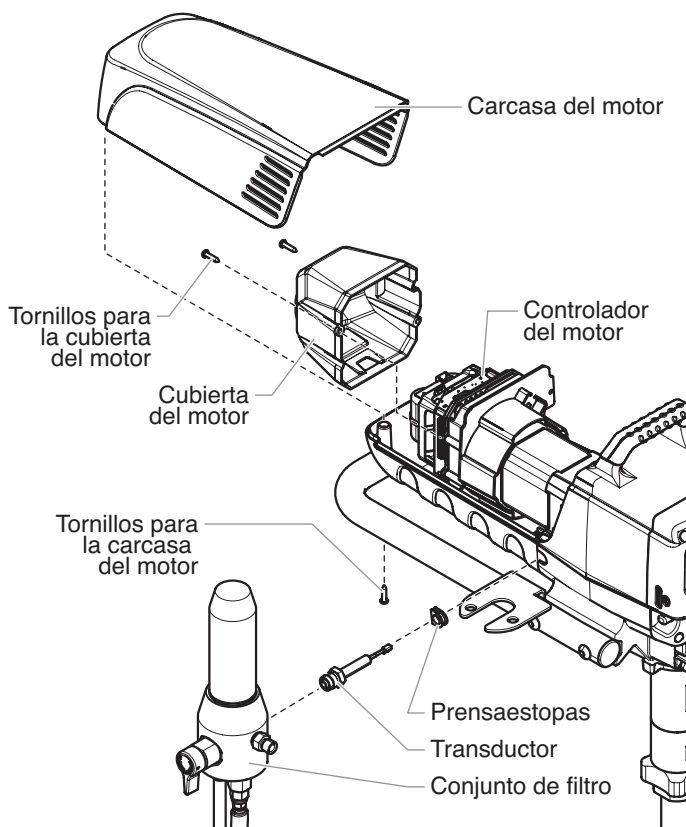
1. Desconecte la unidad.
2. Suelte y retire los dos (2) pernos del conjunto de filtro. Deslice el conjunto de filtro del carro.
3. Suelte y retire los dos (2) tornillos de la carcasa del motor. Retire la carcasa del motor.
4. Suelte y retire los dos (2) tornillos de la cubierta del motor. Retire la cubierta del motor.
5. Desconecte el cable del transductor del controlador del motor.



6. Tire el prensaestopas fuera de la placa de montaje y deslícelo hacia arriba por el eje del transductor hasta que salga de la placa de montaje.
7. Use una llave para soltar y retirar el transductor de la carcasa del filtro. Pase cuidadosamente el cable del transductor por la placa de montaje.
8. Deslice el prensaestopas fuera del transductor antiguo y sobre el nuevo transductor.
9. Pase el cable del nuevo transductor por la placa de montaje y de vuelta al controlador del motor.
10. Rosque el nuevo transductor en la carcasa del filtro y apriételo firmemente con una llave.

NOTA: Asegúrese de que la junta tórica en el transductor esté en su lugar antes de roscar el transductor en la carcasa del filtro.

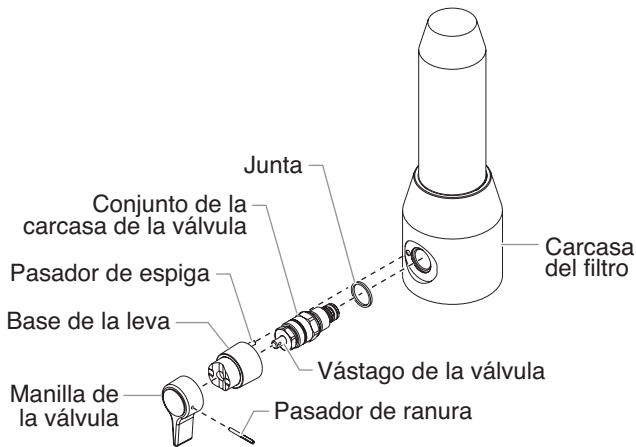
11. Empuje el prensaestopas en la placa de montaje.
12. Conecte el cable del transductor al controlador del motor (consulte el esquema eléctrico en la sección Lista de piezas de este manual).
13. Coloque la cubierta del motor de vuelta sobre el controlador del motor. Fíjela con los dos (2) tornillos para la cubierta del motor.
14. Deslice la carcasa del motor sobre el conjunto de motor.
15. Fije la carcasa del motor con los dos (2) tornillos para la carcasa del motor.



Reemplazo de la válvula PRIME/SPRAY

Realice el siguiente procedimiento con el juego de reemplazo de válvula PRIME/SPRAY (Cebado/Pulverización) N°/P 800-915.

1. Empuje el pasador de ranura fuera de la manilla de la válvula.
2. Retire la manilla de la válvula y la base de la leva.
3. Con una llave, suelte y retire el conjunto de la carcasa de la válvula.
4. Asegúrese de que la junta esté en su lugar y rosque el conjunto de la carcasa de la válvula nueva en el bloque del filtro. Apriete firmemente con una llave.
5. Coloque la base de la leva sobre el conjunto de la carcasa de la válvula. Lubrique la base de la leva con grasa y alinee la leva con el bloque del filtro usando el pasador de espiga.
6. Alinee el orificio del vástago de la válvula con el orificio de la manilla de la válvula.
7. Inserte el pasador de ranura en la manilla de la válvula y a través del vástago de la válvula para fijar la manilla de la válvula en su posición.



Mantenimiento de la sección de líquido

Use los siguientes procedimientos para realizar mantenimiento en las válvulas y volver a colocar la empaquetadura de la sección de líquido. Realice los siguientes pasos antes de realizar mantenimiento a la sección de líquido.

1. Suelte y retire los cuatro tornillos de la cubierta delantera. Retire la cubierta delantera.
2. Ajuste la presión en el mínimo girando la perilla de control de presión al ajuste "MIN" (Mín.). La pantalla Digi-Trac™ debe decir "PRIME" (Cebado).
3. Presione la tecla N° 1 en el panel de control Digi-Trac™. Ahora aparecerá la pantalla "CREEP MODE" (Modo de deslizamiento).
4. Gire lentamente la perilla de control de presión en el sentido de las agujas del reloj para aumentar la presión. El conjunto de cigüeñal/deslizante comenzará a moverse lentamente.
5. Cuando llegue al fondo, en el punto muerto de su recorrido, gire la perilla de control de presión de vuelta al ajuste "MIN". El conjunto de cigüeñal/deslizante debiera detenerse.
6. Apague la bomba y desconecte la unidad.



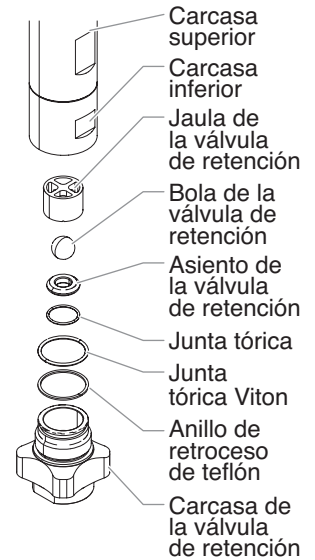
Antes de proceder, siga el Procedimiento de liberación de presión que se describe anteriormente en este manual. Además, siga todas las otras advertencias para reducir el riesgo de una lesión por inyección, por piezas móviles o descarga eléctrica. Desconecte siempre el pulverizador antes de realizar mantenimiento.

7. Retire la manguera de retorno de la abrazadera del tubo del sifón.

8. Destornille el conjunto de tubo de sifón/sifón de la válvula de retención.
9. Suelte y retire la manguera de alta presión del niple que está en la parte posterior de la carcasa superior de la sección de líquido.

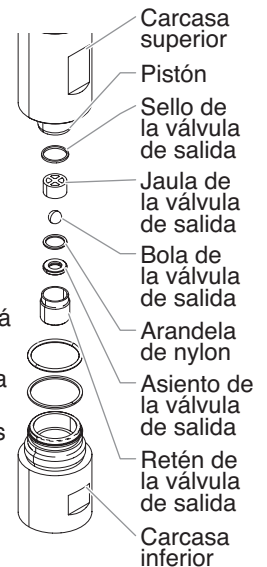
Mantenimiento de las válvulas

El diseño de la sección de líquido permite acceder a la válvula de retención, así como también, a la válvula de salida y al asiento, sin desmontar completamente la sección de líquido. Es posible que las válvulas no se asienten correctamente debido a los desperdicios adheridos al asiento de la válvula de retención o el asiento de la válvula de salida. Use las siguientes instrucciones para limpiar las válvulas e invertir, o reemplazar los asientos.



1. Suelte y retire la carcasa de la válvula de retención de la carcasa inferior.
2. Limpie cualquier desperdicio en la carcasa de la válvula de retención, y examine la carcasa y el asiento de la válvula de retención. Si el asiento está dañado, inviértalo o reemplácelo.
3. Use dos llaves para sostener la carcasa superior con las partes planas de la llave con una llave y suelte la carcasa inferior con la otra. Retire la carcasa inferior.
4. Use una llave de 3/4" para soltar y retirar el retén de la válvula de salida de la biela del pistón.

NOTA: Realice siempre mantenimiento a la válvula de salida con la biela del pistón conectada a la bomba. Esto evitará que la biela del pistón gire durante el desmontaje de la válvula de salida.



5. Limpie cualquier desperdicio, y examine el retén y el asiento de la válvula de salida. Si el asiento está dañado, inviértalo o reemplácelo.
6. Retire, limpie e inspeccione la jaula de la válvula de salida y la bola de la válvula de salida. Reemplácelos si están desgastados o dañados.
7. Vuelva a ensamblar las válvulas invirtiendo los pasos anteriores.

NOTA: Durante el reensamblaje, asegúrese de que las juntas tóricas Viton y los anillos de retroceso de teflón entre la carcasa superior y la inferior, así como también, entre la carcasa inferior y la carcasa de la válvula de retención estén lubricados con grasa y estén en su posición.

Volver a colocar la empaquetadura de la sección de líquido

1. Retire el conjunto de la válvula de retención y la carcasa inferior con los pasos del procedimiento "Mantenimiento de las válvulas" descrito anteriormente.

NOTA: No es necesario desensamblar la válvula de salida de la biela del pistón para este propósito.

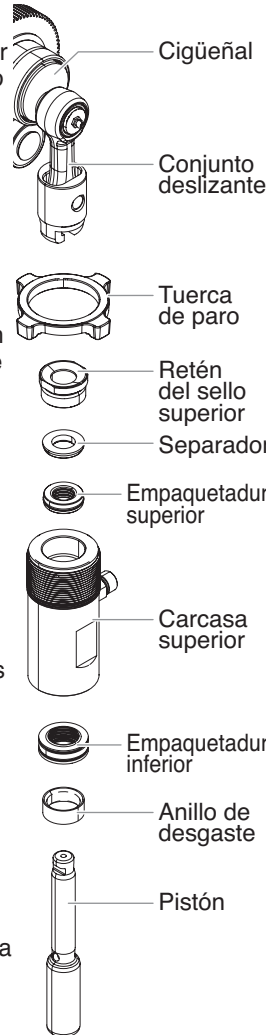
2. Golpee la tuerca de paro con un martillo blando, de modo que se pueda girar en sentido contrario al de las agujas del reloj y se suelte.
3. Gire la sección de líquido en sentido contrario al de las agujas del reloj para retirarla de la carcasa de la caja de engranajes.
4. Coloque la carcasa superior en posición vertical en una prensa sujetándola en las partes planas para llaves.

NOTA: No apriete en exceso la prensa. Se pueden producir daños en la carcasa superior.

5. Con una llave, retire el retén del sello superior.
6. Deslice la biela del pistón hacia delante hasta que el pistón salga de la ranura en T del conjunto deslizante.
7. Tire el pistón hacia fuera por la parte inferior de la carcasa superior.
8. Inspeccione que la biela del pistón no tenga desgaste y reemplácela si fuese necesario.
9. Retire las empaquetaduras superiores e inferiores de la carcasa superior.

NOTA: Tenga cuidado de no rayar, raspar o dañar de otra forma la carcasa superior durante el retiro de las empaquetaduras.

10. Limpie la carcasa superior. Inspeccione la carcasa superior para saber si tiene daños y, si fuese necesario, reemplácela.
11. Ubique las nuevas empaquetaduras superior e inferior, y rellene las áreas entre los bordes de la empaquetadura con grasa. Lubrique las juntas tóricas con grasa en el exterior de las empaquetaduras.
12. Inserte la empaquetadura superior en la parte superior de la carcasa superior con el labio elevado en la empaquetadura orientado hacia abajo.
13. Inserte el separador en la parte superior de la empaquetadura superior.



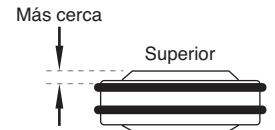
Instale la empaquetadura superior con el reborde levantado apuntando hacia abajo.



Reborde levantado

14. Rosque el retén del sello superior en la carcasa superior y apriete de 25 a 30 lb-pie.
15. Forme previamente la empaquetadura inferior usando la herramienta de calibración de la misma (incluida en el juego para volver a colocar la empaquetadura).
16. Inserte la empaquetadura inferior parcialmente en la parte inferior de la carcasa superior, de modo que el lado que tenga la junta tórica más cerca de la superficie de la empaquetadura esté orientado hacia arriba.
17. Presione la empaquetadura inferior en su posición usando la herramienta de inserción de la empaquetadura inferior (consulte la lista de piezas del conjunto de la sección de líquido para conocer el N°/P de la herramienta de inserción de la empaquetadura inferior).
18. Coloque la herramienta de inserción del pistón (se incluye en el juego para volver a colocar la empaquetadura) sobre la parte superior de la biela del pistón.
19. Inserte la biela del pistón en la parte inferior de la carcasa superior a través de la empaquetadura inferior, pasando por la empaquetadura superior y finalmente por el retén del sello superior.

Instale la empaquetadura inferior con el lado que tenga la junta tórica más cerca de la superficie de la empaquetadura orientado hacia arriba.



- NOTA: Cuando vuelva a colocar la empaquetadura de la sección de líquido, asegúrese de que el labio elevado de la parte inferior de la empaquetadura inferior esté completamente fuera de la empaquetadura alrededor de la biela del pistón después de la inserción de la biela del pistón.**
20. Retire la herramienta de inserción del pistón de la parte superior de la biela del pistón.
 21. Deslice la parte superior de la biela del pistón en la ranura en T en el conjunto deslizante.
 22. Gire la tuerca de paro en sentido contrario al de las agujas del reloj hasta que esté a ras con la carcasa superior.
 23. Lubrique las roscas en la carcasa superior con compuesto antiadherente. Retire la carcasa superior de la prensa.
 24. Rosque la carcasa superior en la carcasa de la caja de engranajes girándola en el sentido de las agujas del reloj.
 25. Siga girando la carcasa superior en el sentido de las agujas del reloj hasta que la tuerca de paro esté a ras con la carcasa de la caja de engranajes.

NOTA: Si el niple en la carcasa superior no está orientado hacia el lado posterior de la unidad, gire la carcasa superior en sentido contrario al de las agujas del reloj hasta que el niple esté orientado hacia el lado posterior de la unidad. No gire la carcasa superior más de un giro completo.

26. Luego de ubicar el niple, gire la tuerca de paro en el sentido de las agujas del reloj hasta que haga contacto con la carcasa de la caja de engranajes.
27. Golpee la tuerca de paro con un martillo blando para apretarla contra la carcasa de la caja de engranajes.
28. Asegúrese de que la junta tórica Viton y el anillo de retención de teflón estén lubricados y en su lugar, y rosque la carcasa inferior en la carcasa superior. Use dos llaves para sostener la carcasa superior en las partes planas de la llave con una llave y apretar la carcasa inferior con la otra.
29. Conecte la manguera de alta presión en el niple de la parte posterior de la carcasa y apriételo con una llave. No tuerza la manguera.

NOTA: Para unidades de transporte bajo, asegúrese de que la manguera no toque la estructura del carro. Si lo hace, vuelva a posicionar el niple girando la carcasa superior hasta que la manguera esté lejos de la estructura y el niple esté dentro de 45° de la parte posterior de la unidad.

30. Asegúrese de que la junta tórica Viton y el anillo de retención de teflón estén lubricados y en su lugar; reensamble el conjunto de la válvula de retención y rósqelo en la carcasa inferior. Apriete firmemente.
31. Rosque el conjunto de tubo del sifón/sifón en la válvula de retención y apriételo firmemente. Asegúrese de envolver las roscas del adaptador del tubo descendente/tubo del sifón con cinta de teflón antes de ensamblarlas.
32. Vuelva a colocar la manguera de retorno en la abrazadera del tubo de sifón.
33. Coloque la cubierta delantera en la carcasa de la caja de engranaje y fíjela en la posición correcta usando los cuatro tornillos de la cubierta delantera.
34. Encienda el pulverizador siguiendo el procedimiento que se indica en la sección "Operación" de este manual y revise en busca de fugas.

NOTA: El juego para volver a colocar la empaquetadura N°/P 805-1010 se encuentra disponible. Para obtener mejores resultados, use todas las piezas que se proporcionan en este juego.

Solución de problemas

Problema	Causa	Solución
A. No funciona la unidad.	<ol style="list-style-type: none"> 1. La unidad no está enchufada. 2. Disyuntor disparado. 3. Ajuste de presión demasiado bajo (la perilla de control de presión en su ajuste mínimo no suministra energía a la unidad). 4. Conexiones defectuosas o sueltas. 5. Temperatura excesiva del motor 6. Interruptor ON/OFF defectuoso. 	<ol style="list-style-type: none"> 1. Enchufe la unidad. 2. Reajuste el disyuntor. 3. Gire la perilla de control de presión en la dirección de las agujas del reloj para suministrar energía a la unidad y aumentar el ajuste de presión. 4. Inspeccione o lleve a un centro de servicio autorizado por Titan. 5. Deje que el motor se enfríe. 6. Reemplace el interruptor ON/OFF.
B. No se ceba la unidad.	<ol style="list-style-type: none"> 1. La válvula PRIME/SPRAY está en la posición SPRAY. 2. Fuga de aire en el tubo de sifón/juego de succión. 3. El filtro de bomba y/o la malla de entrada está obstruido. 4. El tubo de sifón/juego de succión está obstruido. 	<ol style="list-style-type: none"> 1. Gire la válvula PRIME/SPRAY en la dirección de las agujas del reloj hasta la posición PRIME. 2. Compruebe la conexión del tubo de sifón/juego de succión y apriete o vuelva a asegurar la conexión con cinta Teflón. 3. Quite el elemento del filtro de bomba y límpielo. Quite la malla de entrada y límpiela. 4. Quite el tubo de sifón/juego de succión y límpielo.
C. La unidad no crea presión ni la mantiene.	<ol style="list-style-type: none"> 1. La punta rociadora está desgastada. 2. La punta rociadora es demasiado grande. 3. La perilla de control de presión no está debidamente ajustada. 4. El filtro de bomba, el filtro de la pistola o la malla de entrada están obstruidos. 5. El material fluye desde la manguera de retorno cuando la válvula PRIME/SPRAY está en la posición SPRAY. 6. Fuga de aire en el tubo de sifón/juego de succión. 7. Existe una fuga de fluido externa. 8. Existe una fuga en la sección de líquidos interna (las empaquetaduras están desgastadas o sucias, las bolas de las válvulas están desgastadas). 9. Los asientos de las válvulas están desgastados 10. El motor tiene alimentación pero no gira. 	<ol style="list-style-type: none"> 1. Quite la punta rociadora siguiendo las instrucciones suministradas con la pistola rociadora. 2. Reemplace la punta rociadora por una punta que tenga un orificio más pequeño siguiendo las instrucciones suministradas con la pistola rociadora. 3. Gire la perilla de control de presión en la dirección de las agujas del reloj para incrementar el ajuste de presión. 4. Quite el elemento del filtro de bomba y límpielo. Quite el filtro de la pistola y límpiela. Quite la malla de entrada y límpiela. 5. Limpie o reemplace la válvula PRIME/SPRAY. 6. Compruebe la conexión del tubo de sifón/juego de succión y apriete o vuelva a asegurar la conexión con cinta Teflón. 7. Compruebe todas las conexiones en busca de fugas externas. Apriete las conexiones, si fuese necesario. 8. Limpie las válvulas y de servicio a la sección de líquidos siguiendo el procedimiento de "Servicio a la sección de líquidos" de la sección de Mantenimiento de este manual. 9. Invierta o reemplace los asientos de las válvulas siguiendo el procedimiento de "Servicio a la sección de líquidos" de la sección de Mantenimiento de este manual. 10. Lleve la unidad a un centro de servicio autorizado por Titan.
D. Fuga de fluido en el extremo superior de la sección de líquidos.	<ol style="list-style-type: none"> 1. Las empaquetaduras superiores están desgastadas. 2. La vara del pistón está desgastada. 	<ol style="list-style-type: none"> 1. Vuelva a poner las empaquetaduras siguiendo el procedimiento de "Servicio a la sección de líquidos" de la sección de Mantenimiento de este manual. 2. Reemplace el vástago del pistón siguiendo el procedimiento de "Servicio a la sección de líquidos" de la sección de Mantenimiento de este manual.

Solución de problemas

Problema	Causa	Solución
E. Presión excesiva en la pistola del rociador.	<ol style="list-style-type: none"> 1. El tipo de manguera rociadora sin aire es erróneo. 2. La punta rociadora está desgastada o es demasiado grande. 3. Presión excesiva. 	<ol style="list-style-type: none"> 1. Reemplace la manguera por una manguera rociadora sin aire con trenzado textil conectada a tierra de 1/4" con un largo mínimo de 50 pies (15 metros). 2. Reemplace la punta rociadora siguiendo las instrucciones suministradas con la pistola rociadora. 3. Gire la perilla de control de presión en el sentido contrario a las agujas del reloj para reducir la presión de rociado.
F. Patrón de atomización deficiente.	<ol style="list-style-type: none"> 1. La punta rociadora es demasiado grande para el material que se está utilizando. 2. Ajuste de presión incorrecto. 3. Paso de líquido insuficiente. 4. El material que se está rociando es demasiado viscoso. 	<ol style="list-style-type: none"> 1. Reemplace la punta rociadora con una punta rociadora nueva o más pequeña siguiendo las instrucciones suministradas con la pistola rociadora. 2. Gire la perilla de control de presión para ajustar la presión para obtener un patrón de rociado adecuado. 3. Limpie todas las mallas y filtros. 4. Añada solvente al material de acuerdo con las recomendaciones del fabricante.
G. La unidad no tiene alimentación.	<ol style="list-style-type: none"> 1. El ajuste de la presión es demasiado bajo. 2. Suministro de tensión inadecuado. 	<ol style="list-style-type: none"> 1. Gire la perilla de control de presión en el sentido de las agujas del reloj para aumentar el ajuste de presión. 2. Vuelva a conectar la tensión de entrada para 120V AC.

Mensajes de error del sistema de control Digi-Trac™

Las siguientes pantallas de mensajes de error aparecen cuando el sistema de control Digi-Trac™ detecta un problema con el pulverizador. Cuando se produce un problema y aparece el mensaje de error, se detendrá el pulverizador.



Antes de proceder, siga el Procedimiento de liberación de presión que se describe anteriormente en este manual. Además, siga todas las otras advertencias para reducir el riesgo de una lesión por inyección, por piezas móviles o descarga eléctrica. Desconecte siempre el pulverizador antes de realizar mantenimiento.

Pantalla Check Transducer

La pantalla Check Transducer (Verificar transductor) aparece cuando se desconecta el transductor o está defectuoso. Lleve el pulverizador a un servicio técnico autorizado Titan para que lo reparen.

CHECK TRANSDUCER

Pantalla Check Potenciómetro

La pantalla Check Potenciómetro (Verificar transductor) aparece cuando se desconecta el potenciómetro o está defectuoso. Lleve el pulverizador a un servicio técnico autorizado Titan para que lo reparen.

CHECK POTENTIOMETER

Pantalla Low Voltage

La pantalla Low Voltage (Bajo voltaje) aparece cuando el pulverizador se detiene debido a bajo voltaje de entrada. Verifique el suministro de energía y corrija el problema. Vuelva a arrancar el pulverizador con el siguiente procedimiento de "Pintura" en la sección Operación de este manual.

LOW VOLTAGE

Pantalla High Motor Temperature

La pantalla High Motor Temperature (Alta temperatura del motor) aparece cuando la temperatura del motor ha aumentado demasiado. Lleve el pulverizador a un servicio técnico autorizado Titan para que lo reparen.

HIGH MOTOR TEMPERATURE

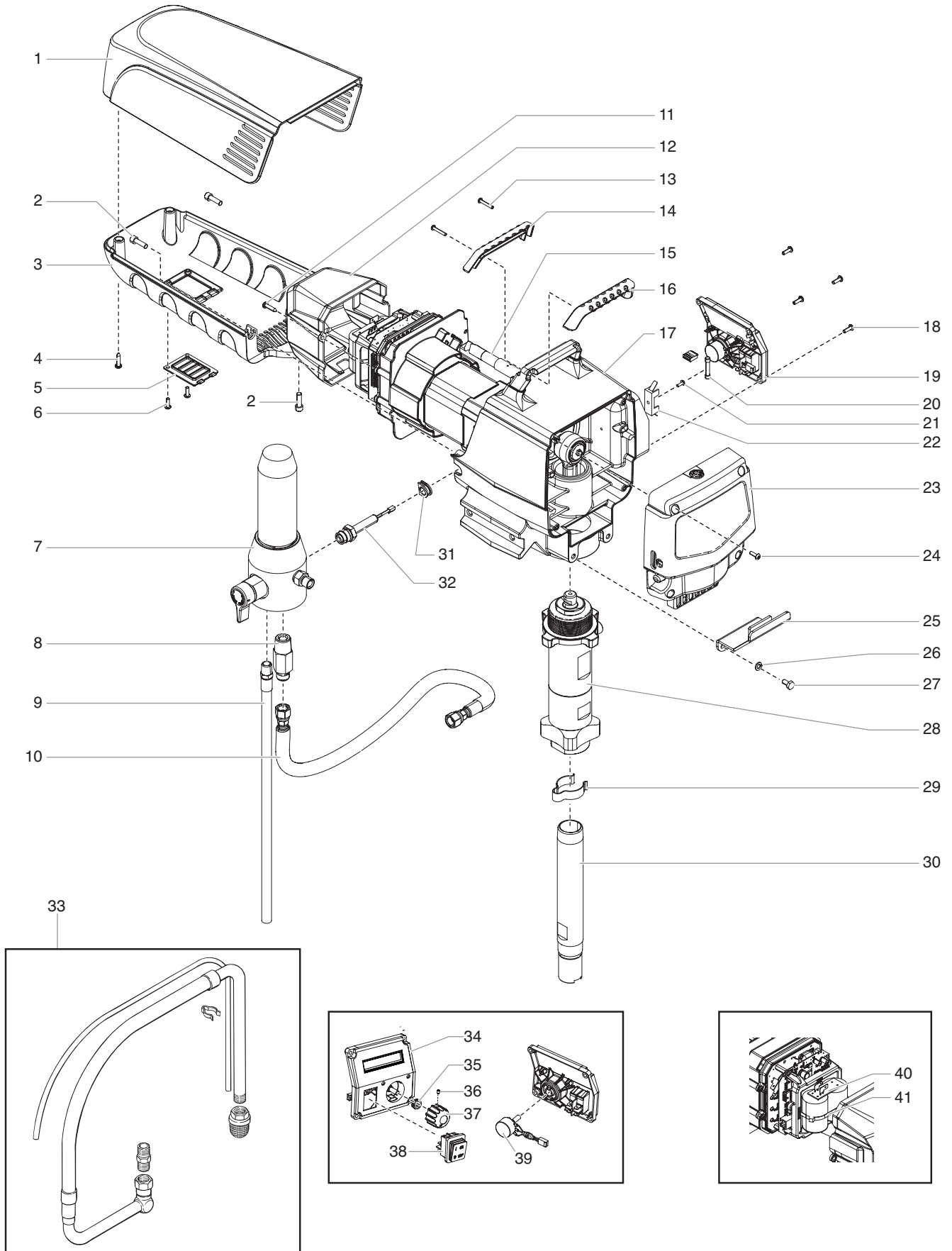
Pantalla High Mechanical Load

La pantalla High Mechanical Load (Carga mecánica alta) aparece cuando el pulverizador se detiene debido a corriente alta o cuando el pulverizador entra en el modo de reinyección. Lleve el pulverizador a un servicio técnico autorizado Titan para que lo reparen.

HIGH MECHANICAL LOAD

Parts List • Liste de pièces • Lista de piezas

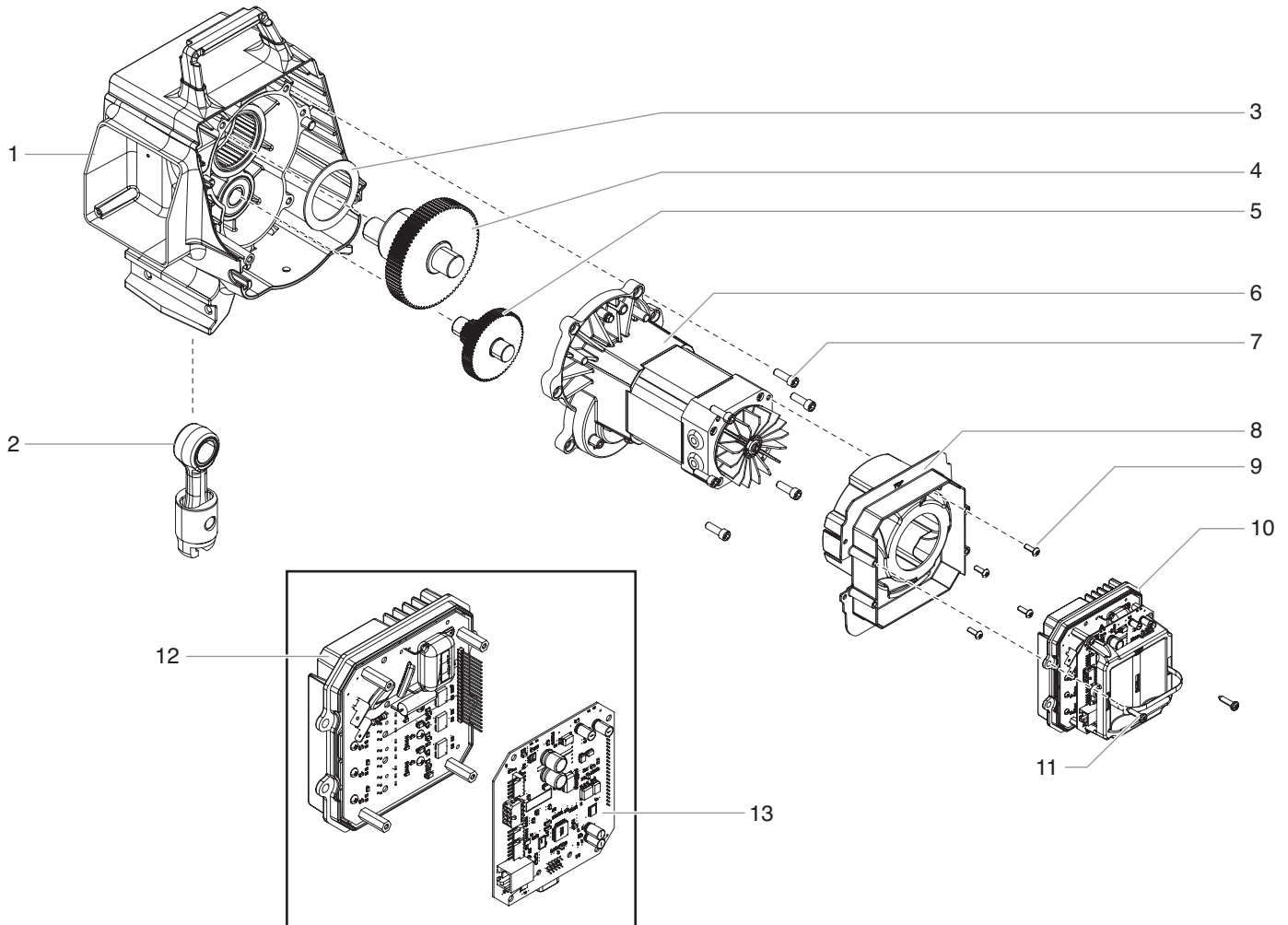
Main Assembly • Vue d'ensemble • Ensamblaje principal



Item Article Artículo	Part No. N° de pièce Pieza No.	English Description	Français Description	Español Descripción	Quantity Quantite Cantidad
1	805-433	Motor shroud	Carter du moteur	Cubierta del motor	1
2	700-681	Belly pan screw	Vis de ventre pan	Tornillo de vientre pan	3
3	805-431	Belly pan	Ventre pan	Ventre pan	1
4	9802266	Motor shroud screw	Vis de carter du moteur	Tornillo de cubierta del motor	2
5	805-490	Belly pan cover	Couvercle de ventre pan	Tapa de vientre pan	1
6	700-139	Belly pan screw	Vis de ventre pan	Tornillo de vientre pan	2
7	805-269	Filter assembly (see separate listing)	Ensemble de filtre (voir la liste de pièces distincte)	Conjunto de filtro (consulte la lista separada)	1
8	805-549	Hose fitting	Raccord de tuyau	Conexión de manguera	1
9	800-904	Return tube	Tube de retour	Tubo de retorno	1
10	0507387	Hose	Flexible	Manguera	1
11	9802266	Screw	Vis	Tornillo	2
12	805-462	Motor controller cover	Carter du contrôleur de moteur	Cubierta del controlador del motor	1
13	9805317	Handle screw	Vis de poignée	Tornillo de la manilla	2
14	805-332	Handle cover, back	Couvre-poignée, dos	Cubierta de la manilla, posterior	1
15	805-404	Power cord assembly	Ensemble de cordon d'alimentation	Ensamblaje de cable de alimentación	1
16	805-333	Handle cover, front	Couvre-poignée, face	Cubierta de la manilla, delantera	1
17	805-231	Drive assembly (see separate listing)	Boîte d'engrenages (voir la liste de pièces distincte)	Conjunto de transmisión (consulte la lista separada)	1
18	700-139	Control panel screw	Vis de panneau de contrôle	Tornillo de panel de control	4
19	805-237	Control panel assembly, complete includes items 34-39)	Ensemble de panneau de contrôle, complète (comprend les articles 34-39)	Ensamblaje de panel de control, completa (incluye artículos 34-39)	1
20	800-929	Fuse, 15A	Fusible, 15A	Fusible, 15A	1
21	9804916	Fuse block screw	Vis de bloc de fusible	Tornillo de bloque de fusible	1
22	0552210	Fuse block	Bloc de fusible	Bloque de fusible	1
23	805-254	Face plate / oiler assembly	Ensemble de couvercle / graisseur	Ensamblaje de cubierta frontal / lubricador	1
24	700-139	Face plate screw	Vis de couvercle	Tornillo de la cubierta frontal	4
25	805-467	Pail hook (upright cart only)	Crochet pour seau (chariot vertical seulement)	Gancho para el cubo (solamente para el carro vertical)	1
26	9821503	Lock washer (upright cart only)	Rondelle de blocage (chariot vertical seulement)	Arandela de seguridad (solamente para el carro vertical)	2
27	858-625	Pail hook screw (upright cart only)	Vis de crochet pour seau (chariot vertical seulement)	Tornillo del gancho para el cubo (solamente para el carro vertical)	2
28	805-236	Fluid section assembly	Ensemble de section des liquides	Ensamblaje de sección de líquidos	1
29	730-334	Clip (upright cart only)	Agrafe (chariot seulement)	Sujetador (carro solamente)	1
30	451-241	Siphon tube (upright cart only)	Tube d'aspiration (upright cart only)	Tubo de succión (upright cart only)	1
31	805-439	Grommet	Anneau isolant	Prensaestopas	1
32	800-447	Transducer assembly	Ensemble de transducteur	Ensamblaje de transductor	1
33	805-296	Siphon assembly (low rider)	Ensemble d'aspiration (bas chariot)	Juego de succión (bajo carro)	1
34	805-853	Control panel cover with label	Couvercle de panneau de contrôle avec étiquette	Tapa de panel de control con etiqueta	1
35	700-176	Nut with seal	Écrou avec joint	Tuerca con sello	1
36	704-598	Set screw	Vis	Tornillo	1
37	805-354	Control knob	Bouton de contrôle	Botón de control	1
38	9850936	Switch	Interrupteur	Interruptor	1
39	800-094	Potentiometer	Potentiomètre	Potenciómetro	1
40	0522027	Capacitor assembly	Ensemble capaciteur	Conjunto de capacitor	1
41	770-099	Tie wrap	Attache à tête d'équerre	Amarras	1
	0551972	Surge suppressor (not shown, see schematic)	Protection contre les surtensions (non présenté, voir le schéma)	Supresor de sobrecarga (no se muestra, consulte el esquema)	1

Drive Assembly • Boîte d'engrenages • Ensamblaje de la caja de engranajes

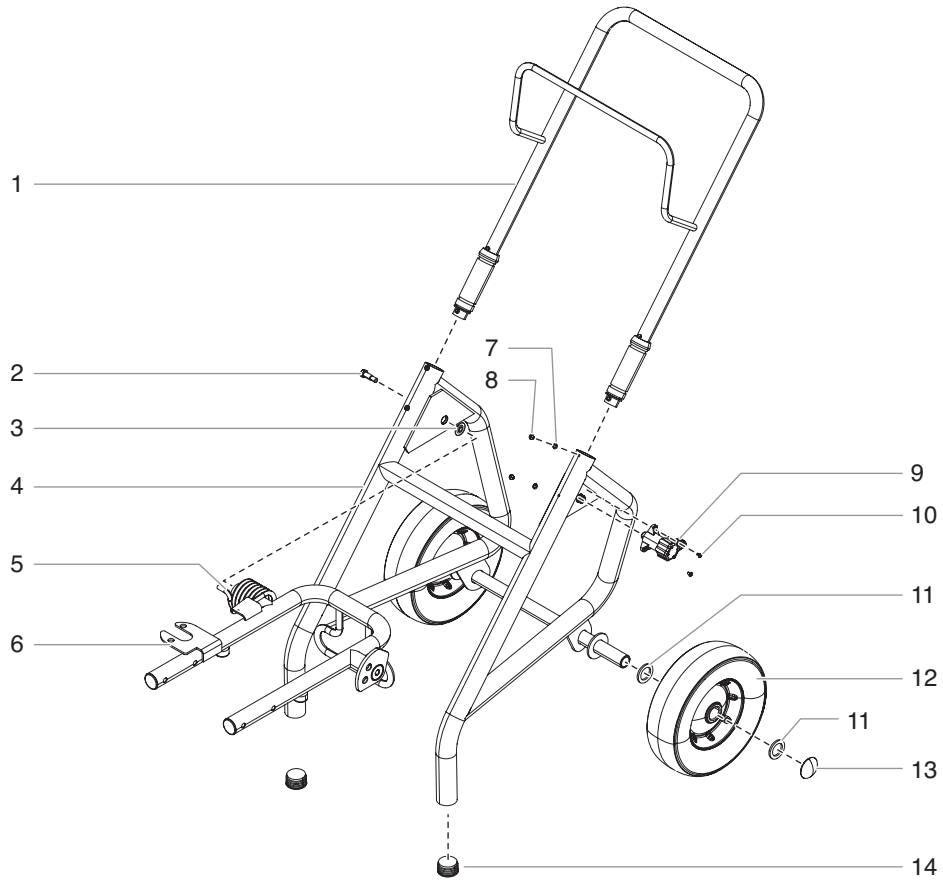
(P/N 805-205)



Item Article Artículo	Part No. N° de pièce Pieza No.	English Description	Français Description	Español Descripción	Quantity Quantite Cantidad
1	805-229	Housing assembly	Logement de la pompe	Caja de la bomba	1
2	805-241	Slider assembly	Bielle	Vara conectora	1
3	805-445	Thrust washer	Rondelle de butée	Arandela de empuje	1
4	805-239	Crankshaft / gear assembly	Ensemble vilebrequin/ engrenages	Ensamblaje cigüeñal/engranaje	1
5	805-240	1st stage gear	Engrenage du 1er étage	Engranajes de la primera etapa	1
6	805-265	Motor assembly	Ensemble de moteur	Ensamblaje del motor	1
7	700-681	Motor mount screw	Vis de moteur	Tornillo de motor	6
8	805-494	Motor baffle	Joint d'étanchéité	Empaquetadura	1
9	700-139	Motor baffle screw	Vis de joint d'étanchéité	Tornillo de empaquetadura	4
10	805-839	Motor controller (740)	Contrôleur de moteur (740)	Controlador de motor (740)	1
	805-840	Motor controller (840)	Contrôleur de moteur (840)	Controlador de motor (840)	1
11	9802266	Motor controller screw	Vis de contrôleur de moteur	Tornillo de controlador de motor	2
12	805-1007	Power board	Carte d'alimentation	Placa de energía	1
13	805-1003	Controller board assembly (740)	Ensemble électronique de commande par pression (740)	Conjunto del control de presión electrónico (740)	1
	805-1004	Controller board assembly (840)	Ensemble électronique de commande par pression (840)	Conjunto del control de presión electrónico (840)	1

Upright Cart Assembly • Ensemble de chariot • Ensamblaje de carro

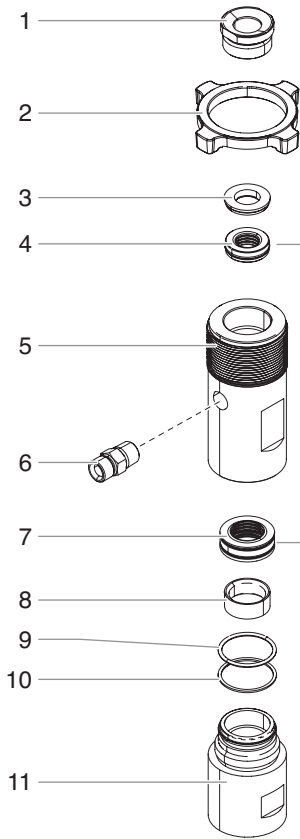
(P/N 805-227)



Item Article Artículo	Part No. N° de pièce Pieza No.	English Description	Français Description	Español Descripción	Quantity Quantite Cantidad
1	805-206	Handle assembly	Ensemble de poignée	Ensamblaje del mango	1
2	9805352	Shoulder screw	Vis à épaulement	Tornillo de hombro	2
3	805-451	Bushing	Bague de réduction	Buje	2
4	805-202	Cart	Chariot	Carro	1
5	9894275	Spring	Ressort	Resorte	1
6	805-255	Carriage assembly	Chariot	Conjunto del carro	1
7	856-002	Washer	Rondelle	Arandela	4
8	856-921	Screw	Vis	Tornillo	4
9	805-228	Cam assembly	Ensemble de cames	Conjunto de la leva	1
10	9805353	Cam assembly screw	Vis d'ensemble de cames	Tornillo para el conjunto de la leva	2
11	0294534	Wheel spacer	Espaceur de roue	Separador de rueda	4
12	0278373	Wheel	Roue	Rueda	2
13	9890104	Axle cap	Chapeau	Tapa	2
14	9885571	Plug	Capuchon	Tapa	2

Fluid Section Assembly • Section de liquides • Sección de líquido

(P/N 805-1010)



Install upper packing with raised lip facing down.

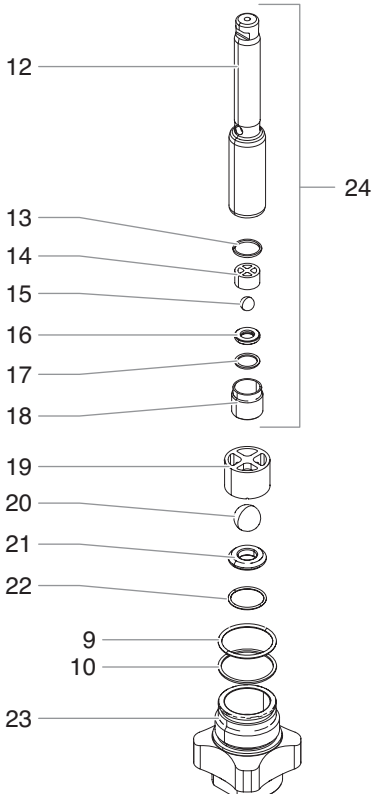
Raised Lip

La partie surélevée du tampon supérieur doivent être vers le bas.

Partie surélevée

Instale la empaquetadura superior con el reborde levantado apuntando hacia abajo.

Reborde levantado



Closer

Top

Install lower packing with the side that has the o-ring closest to the top of the packing facing up.

Côté le plus près de la garniture

Partie supérieure

Mettez en place la garniture d'étanchéité inférieure, le côté dont le joint torique est le plus près de la garniture d'étanchéité vers le haut

Más cerca

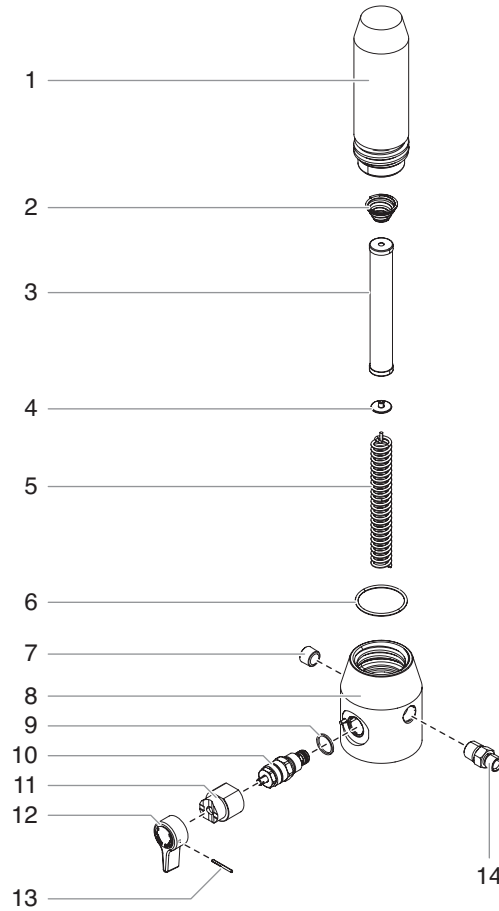
Superior

Instale la empaquetadura inferior con el lado que tenga la junta tórica más cerca de la superficie de la empaquetadura orientado hacia arriba.

Item Article Artículo	Part No. N° de pièce Pieza No.	English Description	Français Description	Español Descripción	Quantity Quantite Cantidad
1	805-505	Seal retainer	Rondelle de retenue de joint d'étanchéité	Retén del sello	1
2	805-449	Knock-off nut	Écrou d'étranglement	Tuerca de paro	1
3	800-327	Spacer	Entretoise	Separador	1
4	800-353	Upper packing assembly	Tampon graisseur supérieur	Empaquetadura superior	1
5	805-435	Upper housing	Logement supérieur	Carcasa superior	1
6	0508343	Fitting	Raccord	Conector	1
7	800-355	Lower packing assembly	Tampon graisseur inférieur	Ampaquetadura inferior	1
8	800-354	Wear ring	Bague d'usure	Anillo de desgaste	1
9	800-332	O-ring, Viton	Joint torique, Viton	Junta tórica, Viton	2
10	800-333	O-ring, Teflon	Joint torique, Teflon	Junta tórica, Teflon	2
11	805-436	Lower housing	Logement inférieur	Carcasa inferior	1
12	805-437	Piston rod	Tige de piston	Vara del pistón	1
13	800-348	Outlet valve seal	Joint d'étanchéité de soupape de sortie	Sello de la válvula de salida	1
14	0507452	Upper cage	Cage supérieur	Jaula superior	1
15	9841502	Outlet valve ball	Clapet de soupape de sortie	Bola de la válvula de salida	1
16	0294516	Outlet valve seat	Siège de soupape de sortie	Asiento de la válvula de salida	1
17	0507454	Washer	Rondelle	Arandela	1
18	800-336	Outlet valve retainer	Rondelle de retenue de soupape de sortie	Retén de la válvula de salida	1
19	800-322	Lower cage	Cage inférieur	Jaula superior	1
20	51519	Inlet ball	Bille d'entrée	Bola de entrada	1
21	00310	Inlet seat	Siège d'admission	Asiento de entrada	1
22	762-058	O-ring	Joint torique	Junta tórica	1
23	800-305	Foot valve	Clapet de pied	Válvula de retención	1
24	805-235	Piston assembly (includes items 12-18)	Ensemble de piston (comprend les articles 12-18)	Ensamblaje del pistón (incluye artículos 12-18)	
	800-273	Repacking kit (includes items 3-4, 7-10, 13, 15-16, 20 and 22)	Trousse de garnitures d'étanchéité (comprend les articles 3-4, 7-10, 13, 15-16, 20 et 22)	Juego para volver a colocar la empaquetadura (incluye artículos 3-4, 7-10, 13, 15-16, 20 y 22)	
	800-359	Piston insertion tool	Outil d'insertion de piston	Herramienta de inserción del pistón	

Filter Assembly • Ensemble de filtre • Ensamblaje de filtro

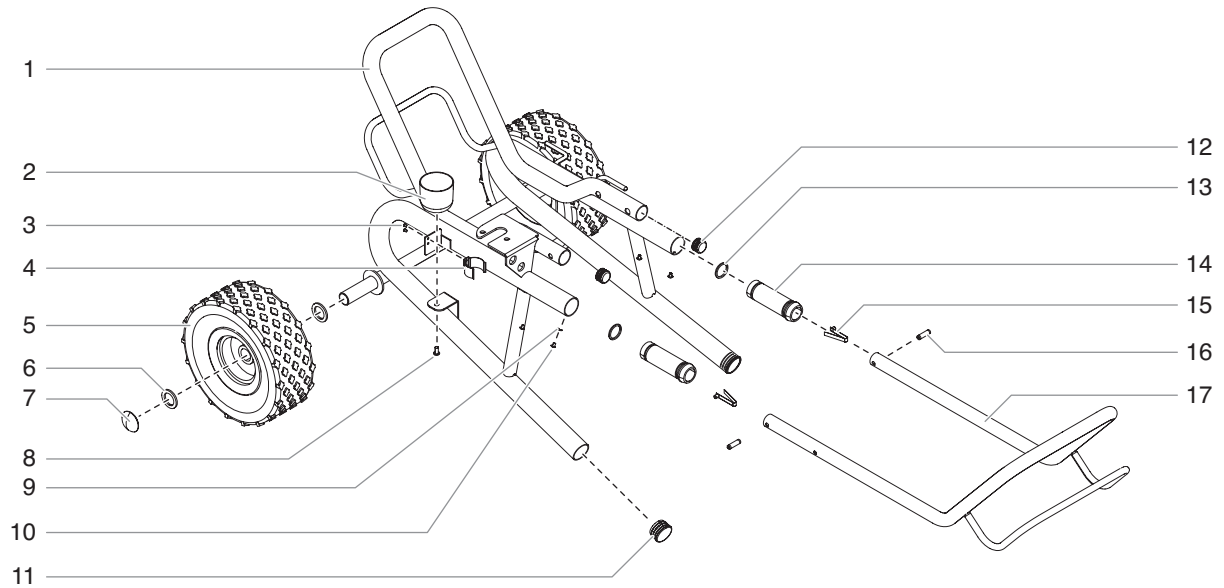
(P/N 805-269)



Item Article Artículo	Part No. N° de pièce Pieza No.	English Description	Français Description	Español Descripción	Quantity Quantite Cantidad
1	800-905	Filter body	Corps de filtre	Cuerpo del filtro	1
2	14058	Filter spring	Ressort du filtre	Resorte de filtro	1
3	730-067	Filter assembly	Ensemble de filtre	Ensamblaje del filtro	1
4	702-251	Adapter	Adaptateur	Adaptador	1
5	757-105	Spring	Ressort	Resorte	1
6	800-906	O-ring	Joint torique	Junta tórica	1
7	800-908	Plug	Fiche	Tapón	1
8	805-508	Filter housing	Logement de filtre	Caja del filtro	1
9	700-537	Gasket	Joint d'étanchéité	Empaquetadura	1
10	800-925	Bypass valve assembly	Soupape de dérivation	Conjunto de la válvula de derivación	1
11	700-252	Cam base	Base à came	Base de leva	1
12	700-697	Valve handle	Manette de soupape	Mango de la válvula	1
13	700-759	Groove pin	Goupille	Pasador de surco	1
14	812-003	Fitting	Raccord	Conector	1

Low Rider Cart • Ensemble de bas chariot • Ensamblaje de bajo carro

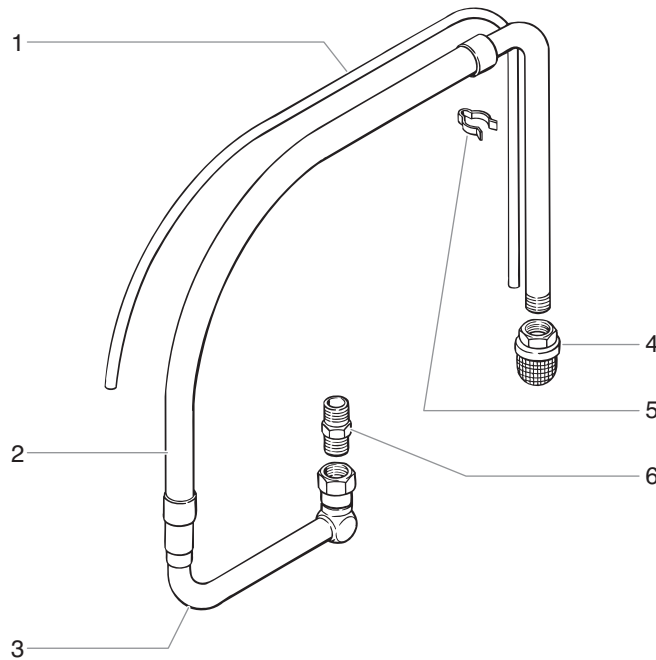
(P/N 805-289)



Item Article Artículo	Part No. N° de pièce Pieza No.	English Description	Français Description	Español Descripción	Quantity Quantite Cantidad
1	805-564	Cart	Chariot	Carro	1
2	700-1041	Drip cup	Cuvette d'égouttage	Recipiente de goteo	1
3	700-906	Rivet	Rivet	Remache	2
4	800-037	Hose clip	Agrafe pour tuyau	Sujetador de la manguera	1
5	800-593	Wheel	Roue	Rueda	2
6	0294534	Wheel spacer	Espaceur de roue	Separador de rueda	4
7	9890104	Axle cap	Chapeau	Tapa	2
8	9805230	Drip cup screw	Vis de cuvette d'égouttage	Tornillo de recipiente de goteo	1
9	856-002	Washer	Rondelle	Arandela	4
10	856-921	Screw	Vis	Tornillo	4
11	9885571	Plug	Fiche	Tapón	2
12	0294635	Plug	Fiche	Tapón	2
13	590-506	Washer	Rondelle	Arandela	2
14	590-504	Handle sleeve	Manche	Manga de asa	2
15	590-507	Spring button	Bouton d'enclenchement	Botón, a presión	2
16	590-508	Roll pin	Goupille rouleau	Pasador de rollo	2
17	800-591	Handle assembly	Ensemble de poignée	Ensamblaje de mango	1

Low Rider Siphon Assembly • Ensemble d'aspiration (bas chariot) • Ensamblaje del juego de succión (bajo carro)

(P/N 805-296)

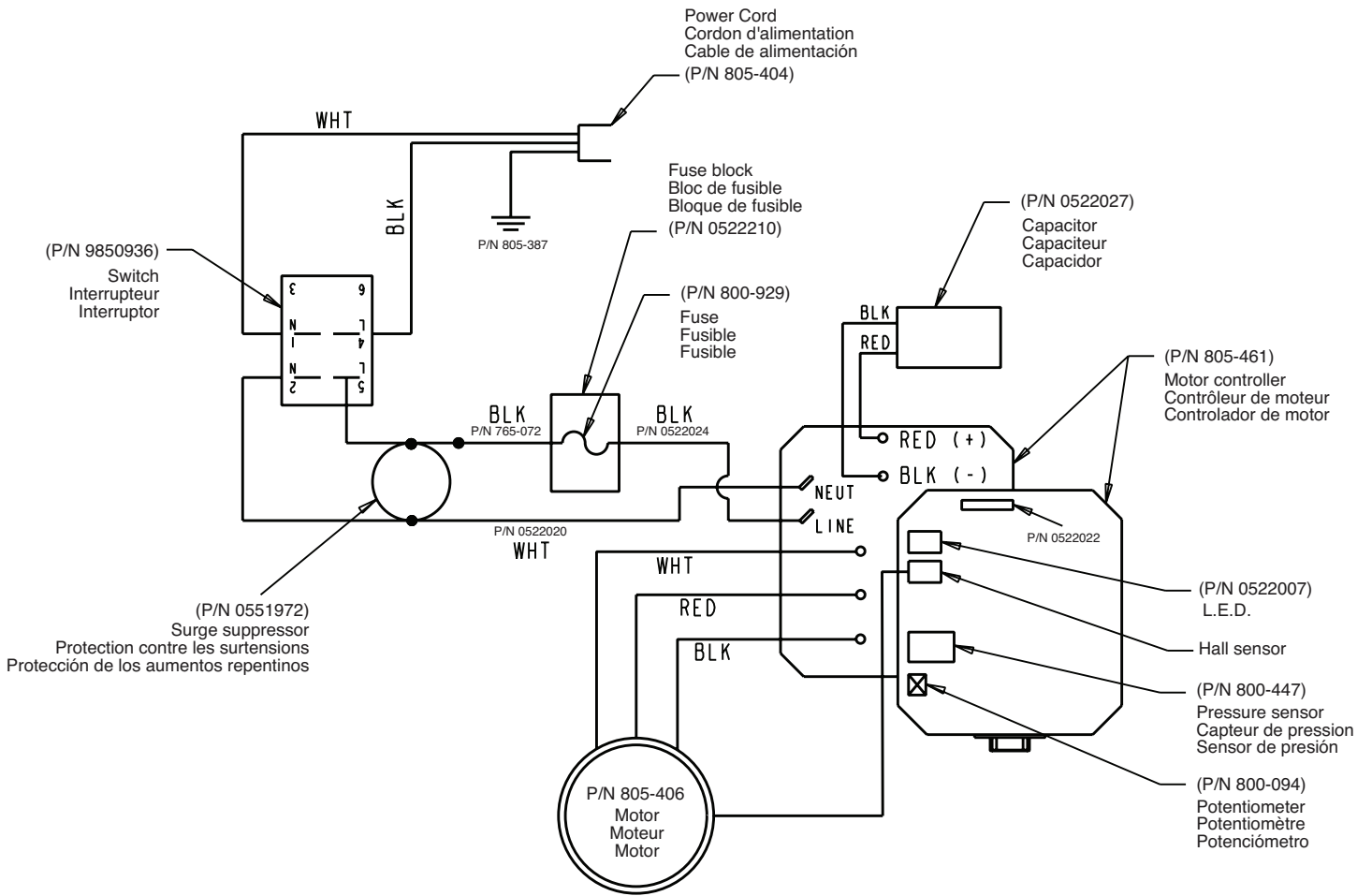


Item Article Artículo	Part No. N° de pièce Pieza No.	English Description	Français Description	Español Descripción	Quantity Quantite Cantidad
1	800-903	Return hose	Tuyau de retour	Manguera de retorno	1
2	710-203	Siphon tube	Tube-siphon	Tubo de sifón	1
3	710-195	Swivel	Émerillon	Pieza giratoria	1
4	710-046	Inlet screen	Crépine d'aspiration	Rejilla de entrada	1
5	730-334	Clamp	Bride de serrage	Abrazadera	1
6	710-081	Siphon tube adapter	Adaptateur de tube-siphon	Adaptador del tubo del sifón	1
7	700-742	Tie wrap (not shown)	Attache à tête d'équerre (non présenté)	Amarras (no se muestran)	1
	710-204	Siphon tube assembly (includes items 2-6)	Ensemble de tube-siphon (comprend les articles 2 à 6)	Conjunto del tubo del sifón (incluye los elementos 2 a 6)	1

Labels • Étiquettes • Etiquetas

Part No. N° de pièce Pieza No.	English Description	Français Description	Español Descripción
805-809	Front cover label	Étiquette du couvercle avant	Etiqueta de la cubierta delantera
805-811	Motor cover label (740)	Étiquette du carter de moteur (740)	Etiqueta de la cubierta del motor (740)
805-812	Motor cover label (840)	Étiquette du carter de moteur (840)	Etiqueta de la cubierta del motor (840)
805-818	Warning label	Etiqueta de la cubierta del motor	Etiqueta de advertencia
805-909	Pressure control knob	Étiquette du bouton de pression	Etiqueta de botón de presión

Electrical Schematic • Schéma de raccordement électrique • Esquema eléctrico



Accessories

Airless Tip Selection

Tips are selected by the orifice size and fan width. The proper selection is determined by the fan width required for a specific job and by the orifice size that will supply the desired amount of fluid and accomplish proper atomization.

For light viscosity fluids, smaller orifice tips generally are desired. For heavier viscosity materials, larger orifice tips are preferred. Please refer to the chart below.

NOTE: Do not exceed the sprayer's recommended tip size.

The following chart indicates the most common sizes and the appropriate materials to be sprayed.

Tip Size	Spray Material	Filter Type
.011 – .013	Lacquers and stains	100 mesh filter
.015 – .019	Oil and latex	60 mesh filter
.021 – .026	Heavy bodied latex and blockfillers	30 mesh filter

Fan widths measuring 8" to 12" (20 to 30 cm) are preferred because they offer more control while spraying and are less likely to plug.

Liquid Shield Plus

Cleans and protects spray systems against rust, corrosion and premature wear. Now with -25° anti-freeze protection.

Part #	Description
314-4834 ounce bottle
314-4821 quart bottle



Piston Lube

Specially formulated to prevent materials from adhering to the piston rod, which becomes abrasive to the upper seals. Piston Lube will break down any material that may accumulate in the oil cup and keep it from drying.

Part #	Description
314-4814 ounce bottle
314-4808 ounce bottle



LX-80^{II} Airless Gun

- 3600 PSI
- All metal construction
- In-handle filter
- High pressure swivel

Part #	Description
580-100LX-80II — 4 Finger Gun
581-085LX-80II — 2 Finger Gun
580-050LX-80II — 4 Finger GTH Kit
581-150LX-80II — 2 Finger GTH Kit

S-3 Stainless Steel Airless Gun

- 3900 PSI
- Stainless Steel fluid passages
- High Pressure Swivel
- In-handle filter
- 4-finger trigger pull

Part #	Description
550-250	S-3 — 4 Finger Gun

Synergy Fine Finish Tips

- Perfect for all fine finish work
- Ideal for lacquers, stain, enamels, urethane, and clear top coats
- Increases standard tip life up to 80%
- Delivers up to a 27% finer atomization at lower pressures
- Increases transfer efficiency resulting in less overspray

Part #	Description
671-XXX	Synergy Fine Finish Tips

WideSpray Reversible Tips

- Designed for high production applications
- Increase production up to 100%
- WideSpray will save time and make you more money

Part No.	Description
661-XXXX	WideSpray Reversible Tips

I-Remote Universal Remote Control System

- Operates your sprayer from over 100 feet away
- Works through walls, trees and other obstacles
- Increase or decrease the pressure of the sprayer without climbing down off the ladder

Part #	Description
800-690I-Remote Control System
800-691I-Remote Control Only
800-692I-Remote Receiver Only

Miscellaneous

Part #	Description
490-012Hose Coupling, 1/4" x 1/4"
730-397High Pressure Fl. Gauge
314-171Lubriplate, 14 ounce individual
314-172Lubriplate, 6 lb. can

Accessoires

Gamme d'embouts à dépression

On choisit les embouts en fonction de la grosseur de leur orifice (selon la quantité de produit qu'on veut étendre et le degré d'atomisation requis) et de la largeur du ventilateur, selon les travaux exigés.

En présence de liquides moins visqueux, on recommande généralement les embouts à orifice plus petit, tandis que pour les produits plus épais, on préférera Tles embouts à plus gros orifice. Se reporter au tableau ci-dessous.

NOTA : Ne pas choisir un embout plus gros que celui recommandé pour le vaporisateur.

Le tableau suivant indique quels embouts utiliser selon le produit à vaporiser.

Grosseur d'embout	Produit utilisé	Type de filtre
.011 – .013	Laques et teintures	100 mailles
.015 – .019	Peintures à l'huile ou au latex	60 mailles
.021 – .026	Peintures au latex épaisses ou matériaux de remplissage	30 mailles

On préférera les ventilateurs d'une largeur de 20 à 30 cm (8 à 12 po) parce qu'ils augmentent la maîtrise de l'utilisateur et risquent moins de s'obstruer.

Liquid Shield Plus

Nettoie et protège les systèmes de vaporisation de la rouille, de la corrosion et de l'usage prématurée. Maintenant avec la protection d'antigel de -25°.

N° de pièce	Description
314-483	Bouteille de 4 oz
314-482	Bouteille de 1 qt.



Piston Lube

Spécialement formulé pour empêcher les produits d'adhérer à la tige des pistons, ce qui tend à endommager les joints supérieurs. Le Piston Lube décompose tous les matériaux qui risquent de s'accumuler dans la cuvette d'égouttage et les empêchent de sécher.

N° de pièce	Description
314-481	Bouteille de 4 oz
314-480	Bouteille de 8 oz



Pistolet sans air LX-80II

- 3 600 lb/po²
- Entièrement en métal
- Filtre dans la poignée
- Tourillon haute pression

N° de pièce Description

580-100LX-80II — Pistolet à 4 doigts
581-085LX-80II — Pistolet à 2 doigts
580-050LX-80II — Trousse GTH à 4 doigts
581-150LX-80II — Trousse GTH à 2 doigts

Pistolet en acier inoxydable S-3

- 3 900 lb/po²
- Conduits en acier inoxydable
- Tourillon haute pression
- Filtre dans la poignée
- Gâchette 4 doigts

N° de pièce Description

550-250	S-3 — Pistolet à 4 doigts
---------	---------------------------

Buses de finition Synergy

- Parfait pour les travaux de finition
- Idéal pour les laques, les teintures, l'émail, l'uréthane et les enduits lustrés
- Peut accroître de 80 % la durée de vie des buses traditionnelles
- Peut améliorer de 27 % la pulvérisation à des pressions basses
- Accroît l'efficacité de transfert, réduisant ainsi la perte de peinture à la pulvérisation

N° de pièce Description

671-XXX	Buses de finition Synergy Fine Finish
---------	---------------------------------------

Buses réversibles WideSpray

- Conçues pour la production de masse
- Peut accroître la production de 100 %
- Les buses WideSpray permettent d'économiser temps et argent

N° de pièce Description

671-XXX	Buses de finition Synergy Fine Finish
---------	---------------------------------------

Système de commande à distance universelle I-Remote

- Permet de commander à distance (plus de 30,48 mètres ou 100 pieds)
- Fonctionne malgré la présence d'obstacles, comme des murs ou des arbres
- Permet d'augmenter ou de diminuer la pression du pulvérisateur sans devoir descendre de l'échelle

N° de pièce Description

800-690	Système de commande I-Remote
800-691	Dispositif de commande I-Remote
800-692	Récepteur I-Remote

Divers

N° de pièce Description

490-012	Raccord de flexible (0,6 cm ² [1/4 po ²])
730-397	Indicateur haute pression (liquides)
314-171	Lubriplate, contenant d'environ 400 g (14 oz)
314-172	Lubriplate, contenant d'environ 3 kg (6 lb)

Accesorios

Selección de la punta sin aire

Las puntas se seleccionan por el tamaño de orificio y la amplitud de abanico. La selección correcta se determina según la amplitud de abanico necesaria para un trabajo específico y por el tamaño de orificio que suministrará la cantidad de líquido deseada y logrará la atomización adecuada.

Para líquidos de viscosidad ligera, generalmente se prefieren las puntas con orificios pequeños. Para materiales con más viscosidad, se prefieren las puntas con orificios más grandes. Consulte la tabla a continuación.

NOTA: No exceda el tamaño de punta recomendada para el rociador.

La tabla siguiente indica los tamaños más comunes y los materiales más adecuados para rociar.

Tamaño de punta	Material a rociar	Tipo de filtro
.011 – .013	Lacas y barnices	Filtro de malla 100
.015 – .019	Pintura a base de aceite y látex	Filtro de malla 30
.021 – .026	Látex espeso y rellenos	Filtro de malla 60

Las amplitudes de abanico entre 8 y 12 pulgadas (20 a 30 cm) son preferibles porque ofrecen más control al rociar y es menos probable que causen obstrucciones.

Protector líquido Liquid Shield

Limpia y protege los sistemas de rociado contra el óxido, la corrosión y el desgaste prematuro. Ahora con la protección del anticongelante de -25°.

Pieza # Descripción

314-483....Botella de 4 onzas

314-482....Botella de 1 cuarto de galón



Lubricante para pistones Piston Lube

Formulado especialmente para evitar que los materiales se adhieran a la vara del pistón, lo cual es abrasivo para los sellos superiores. El Piston Lube degrada todo material que pueda acumularse en el recipiente y evita que se seque.

Pieza # Descripción

314-481....Botella de 4 onzas

314-480....Botella de 8 onzas



Pistola sin aire LX-80^{II} Airless Gun

- 3600 psi
- Fabricación de metal
- Filtro en la empuñadura
- Dispositivo giratorio de alta presión

Pieza # Descripción

580-100....LX-80II — Pistola para cuatro dedos

581-085....LX-80II — Pistola para dos dedos

580-050....LX-80II — Juego de manguera, punta y pistola para cuatro dedos

581-150....LX-80II — Juego de manguera, punta y pistola para dos dedos

Pistola sin aire de acero inoxidable S-3

- 3900 psi
- Conducto para líquido de acero inoxidable
- Dispositivo giratorio de alta presión
- Filtro en la empuñadura
- Presión del gatillo para cuatro dedos

Pieza # Descripción

550-250 S-3 — Pistola para cuatro dedos

Puntas de acabado fino Synergy

- Perfectas para todo tipo de trabajo de acabado fino
- Ideales para laca, tinte, esmalte, uretano y los mejores revestimientos claros
- Aumenta la vida útil estándar de la punta hasta en un 80%
- Brinda hasta un 27% de atomización más fina a presiones más bajas
- Aumenta la eficacia de transferencia, lo que resulta en menos pulverización en exceso

Pieza # Descripción

671-XXX Puntas de acabado fino Synergy

Puntas reversibles WideSpray

- Diseñadas para aplicaciones de alta producción
- Aumenta la producción hasta en un 100%
- WideSpray le ahorrará tiempo y le hará ganar más dinero

Pieza # Descripción

661-XXXX Puntas reversibles WideSpray

Sistema de control remoto universal I-Remote

- Opera su pulverizador desde más de 30 m (100 pies) de distancia
- Funciona a través de paredes, árboles u otros obstáculos
- Aumente o disminuya la presión del pulverizador sin bajar de la escalera

Pieza # Descripción

800-690 Sistema de control I-Remote

800-691 Sólo control I-Remote

800-692 Sólo receptor I-Remote

Varios

Pieza # Descripción

490-012 ... Acoplamiento de manguera, 1/4 x 1/4 de pulgada

730-397 ... FI.de alta presión Medidor

314-171 ... Lubriplate, individual de 14 onzas

314-172 ... Lubriplate, lata de 6 lb.

Garantie

Titan Tools, inc. (« Titan ») garantit qu'au moment de la livraison à l'acheteur original (« Utilisateur »), l'appareil couvert par la présente garantie sera exempt de défauts de matériaux et de fabrication. Les responsabilités de Titan en vertu de cette garantie se limitent au remplacement ou à la réparation sans frais des pièces dont on aura, à la satisfaction raisonnable de Titan, démontré la défectuosité dans un délai de 12 mois après la date d'achat par l'Utilisateur. Cette garantie ne s'applique que si l'appareil a été installé et utilisé conformément aux recommandations et directives de Titan.

Cette garantie ne s'applique pas dans les cas d'endommagement ou d'usure engendrés par de l'abrasion, de la corrosion, un mauvais usage, de la négligence, un accident, une installation incorrecte, un remplacement par des composants non fournis par Titan ou toute intervention non autorisée apte à nuire au fonctionnement normal de l'appareil.

Les pièces défectueuses doivent être envoyées à un centre de service/vente Titan autorisé; les frais de transport, incluant le retour à l'usine, le cas échéant, doivent être défrayés à l'avance par l'Utilisateur. Une fois remplacées ou réparées, les pièces seront renvoyées à ce dernier par transport prépayé.

AUCUNE AUTRE GARANTIE EXPLICITE N'EST DONNÉE. PAR LES PRÉSENTES, TITAN SE DÉGAGE DE TOUTE AUTRE GARANTIE IMPLICITE, INCLUANT, SANS TOUTEFOIS S'Y LIMITER, LES GARANTIES DE COMMERCIALITÉ ET D'ADAPTATION À UN USAGE PARTICULIER, DANS LES LIMITES PERMISES PAR LA LOI. LA DURÉE DES GARANTIES IMPLICITES NE POUVANT ÊTRE DÉCLINÉES SE LIMITE À LA PÉRIODE INDIQUÉE DANS LA GARANTIE EXPLICITE. LES RESPONSABILITÉS DE TITAN NE SAURAIENT EN AUCUN CAS SE CHIFFRER À UN MONTANT SUPÉRIEUR À CELUI DU PRIX D'ACHAT, ET CELLES RELATIVES AUX DOMMAGES CONSÉCUTIFS, ACCESSOIRES OU PARTICULIERS EN VERTU DE TOUTE GARANTIE SONT ÉGALEMENT DÉCLINÉES, DANS LES LIMITES PERMISES PAR LA LOI.

TITAN NE DONNE AUCUNE AUTRE GARANTIE EXPLICITE ET DÉCLINE TOUTE GARANTIE IMPLICITE DE COMMERCIALITÉ ET D'ADAPTATION À UN USAGE PARTICULIER RELATIVEMENT AUX ACCESSOIRES, À L'ÉQUIPEMENT, AUX MATÉRIAUX OU AUX COMPOSANTS VENDUS MAIS NON FABRIQUÉS PAR ELLE; CES ÉLÉMENTS (MOTEURS À ESSENCE, COMMUTATEURS, FLEXIBLES, ETC.) SONT PLUTÔT SOUMIS, LE CAS ÉCHÉANT, AUX GARANTIES DE LEUR FABRICANT. TITAN S'ENGAGE À OFFRIR UN SOUTIEN RAISONNABLE AUX UTILISATEURS QUI FERONT DES RÉCLAMATIONS RELATIVES À L'INOBSERVATION DE CES GARANTIES.

Des fiches techniques de sécurité des produits (FTSS) sont disponibles sur le site Internet de Titan ou par téléphone en vous adressant au Service Client.

Brevets

Ces produits sont protégés par un ou plusieurs des brevets (U.S.A.) suivants :

6,031,352	5,848,566	5,769,321	5,725,364	5,671,656	5,435,697	5,228,842
5,346,037	5,252,210	5,217,238	5,192,425	4,908,538	4,768,929	4,744,571
D384,676	6,179,222	5,934,883	4,723,892	D570,069		

Garantía

Titan Tool, Inc., ("Titan") garantiza que en el momento de la entrega al comprador original para su uso ("Usuario final"), el equipo cubierto por esta garantía está exento de defectos en material y fabricación. La obligación de Titan en virtud de esta garantía se limita a sustituir o reparar sin cargo las piezas que; a la entera satisfacción de Titan, demuestren estar defectuosas dentro de 12 meses después de la venta al usuario final. Esta garantía corresponde solamente cuando la unidad se instala y funciona según las recomendaciones e instrucciones de Titan.

Esta garantía no corresponde en el caso de daños o desgaste causados por abrasión, corrosión o uso indebido, negligencia, accidente, instalación errada, sustitución de piezas con componentes que no sean Titan o alteraciones con la unidad de tal modo que se vea afectado el funcionamiento normal.

Las piezas defectuosas deben devolverse a un centro de ventas y servicio autorizado de Titan. Todos los cargos de transporte, incluso la devolución a la fábrica, si es necesario, debe pagarlos previamente el usuario final. El equipo reparado o cambiado se devolverá al usuario final con porte prepago.

NO EXISTE NINGUNA OTRA GARANTÍA EXPRESA. TITAN DESCONOCE POR LA PRESENTE TODA OTRA GARANTÍA IMPLÍCITA INCLUSIVE ENTRE OTRAS, LAS DE COMERCIABILIDAD E IDONEIDAD PARA UN FIN PARTICULAR, EN LA MEDIDA QUE LO PERMITA LA LEY. LA DURACIÓN DE LAS GARANTÍAS IMPLÍCITAS QUE NO PUEDEN DESCONOCERSE SE LIMITA AL PLAZO ESPECIFICADO EN LA GARANTÍA EXPRESA. EN NINGÚN CASO EXCEDERÁ LA RESPONSABILIDAD DE TITAN EL MONTO DEL PRECIO DE COMPRA. LA RESPONSABILIDAD CIVIL POR DAÑOS Y PERJUICIOS RESULTANTES, FORTUITOS O ESPECIALES BAJO TODA GARANTÍA QUEDA EXCLUIDA EN LA MEDIDA QUE LO PERMITA LA LEY.

TITAN NO OFRECE GARANTÍAS Y DESCONOCE TODA GARANTÍA IMPLÍCITA DE COMERCIABILIDAD E IDONEIDAD PARA UN FIN PARTICULAR REFERENTE A ACCESORIOS, EQUIPO, MATERIALES O COMPONENTES VENDIDOS PERO NO FABRICADOS POR TITAN. AQUELLOS ARTÍCULOS VENDIDOS, PERO NO FABRICADOS POR TITAN (COMO LOS MOTORES DE GAS, INTERRUPTORES, MANGUERAS, ETC.) ESTÁN PROTEGIDOS POR LA GARANTÍA DE SU PROPIO FABRICANTE, SI LA HAY. TITAN PROPORCIONARÁ AL COMPRADOR ASISTENCIA RAZONABLE PARA EFECTUAR RECLAMOS EN CASO DE INCUMPLIMIENTO DE ESTAS GARANTÍAS.

Las Hojas de Datos de Seguridad (Material Safety Data Sheets - MSDS) se encuentran disponibles en el sitio web de Titan o llamando al Servicio al Cliente.

Patentes

Estos productos están protegidos por una de las siguientes patentes (U.S.A.):

6,031,352	5,848,566	5,769,321	5,725,364	5,671,656	5,435,697	5,228,842
5,346,037	5,252,210	5,217,238	5,192,425	4,908,538	4,768,929	4,744,571
D384,676	6,179,222	5,934,883	4,723,892	D570,069		

Warranty

Titan Tool, Inc., (“Titan”) warrants that at the time of delivery to the original purchaser for use (“End User”), the equipment covered by this warranty is free from defects in material and workmanship. With the exception of any special, limited, or extended warranty published by Titan, Titan’s obligation under this warranty is limited to replacing or repairing without charge those parts which, to Titan’s reasonable satisfaction, are shown to be defective within twelve (12) months after sale to the End User. This warranty applies only when the unit is installed and operated in accordance with the recommendations and instructions of Titan.

This warranty does not apply in the case of damage or wear caused by abrasion, corrosion or misuse, negligence, accident, faulty installation, substitution of non-Titan component parts, or tampering with the unit in a manner to impair normal operation.

Defective parts are to be returned to an authorized Titan sales/service outlet. All transportation charges, including return to the factory, if necessary, are to be borne and prepaid by the End User. Repaired or replaced equipment will be returned to the End User transportation prepaid.

THERE IS NO OTHER EXPRESS WARRANTY. TITAN HEREBY DISCLAIMS ANY AND ALL IMPLIED WARRANTIES INCLUDING, BUT NOT LIMITED TO, THOSE OF MERCHANTABILITY AND FITNESS FOR A PARTICULAR PURPOSE, TO THE EXTENT PERMITTED BY LAW. THE DURATION OF ANY IMPLIED WARRANTIES WHICH CANNOT BE DISCLAIMED IS LIMITED TO THE TIME PERIOD SPECIFIED IN THE EXPRESS WARRANTY. IN NO CASE SHALL TITAN LIABILITY EXCEED THE AMOUNT OF THE PURCHASE PRICE. LIABILITY FOR CONSEQUENTIAL, INCIDENTAL OR SPECIAL DAMAGES UNDER ANY AND ALL WARRANTIES IS EXCLUDED TO THE EXTENT PERMITTED BY LAW.


TITAN MAKES NO WARRANTY AND DISCLAIMS ALL IMPLIED WARRANTIES OF MERCHANTABILITY AND FITNESS FOR A PARTICULAR PURPOSE WITH RESPECT TO ACCESSORIES, EQUIPMENT, MATERIALS OR COMPONENTS SOLD BUT NOT MANUFACTURED BY TITAN. THOSE ITEMS SOLD, BUT NOT MANUFACTURED BY TITAN (SUCH AS GAS ENGINES, SWITCHES, HOSES, ETC.) ARE SUBJECT TO THE WARRANTY, IF ANY, OF THEIR MANUFACTURER. TITAN WILL PROVIDE THE PURCHASER WITH REASONABLE ASSISTANCE IN MAKING ANY CLAIM FOR BREACH OF THESE WARRANTIES.

Patents

These products are covered by one or more of the following U.S. patents:

6,031,352	5,848,566	5,769,321	5,725,364	5,671,656	5,435,697	5,228,842
5,346,037	5,252,210	5,217,238	5,192,425	4,908,538	4,768,929	4,744,571
D384,676	6,179,222	5,934,883	4,723,892	D570,069		

Material Safety Data Sheets (MSDS) are available on Titan’s website or by calling Customer Service.

	<p>United States Sales & Service Tech Service/Order Entry: 1-800-526-5362 Fax (Order Entry): 1-800-528-4826 Fax (Tech Service): 1-800-525-9501 1770 Fernbrook Lane Minneapolis, MN 55447 www.titantool.com</p>	<p>Canadian Branch Phone: 1-800-565-8665 Fax: 1-800-856-8496 200 Trowers Road, Unit 7B Woodbridge, Ontario L4L 5Z8</p>	<p>International Phone: 1-201-337-1240 Fax: 1-201-405-7449 1770 Fernbrook Lane Minneapolis, MN 55447</p>
---	--	--	--