

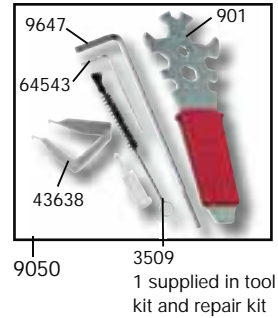


Replacement parts:

# SATAjet 3000 B HVLP and RP DIGITAL and Standard Model

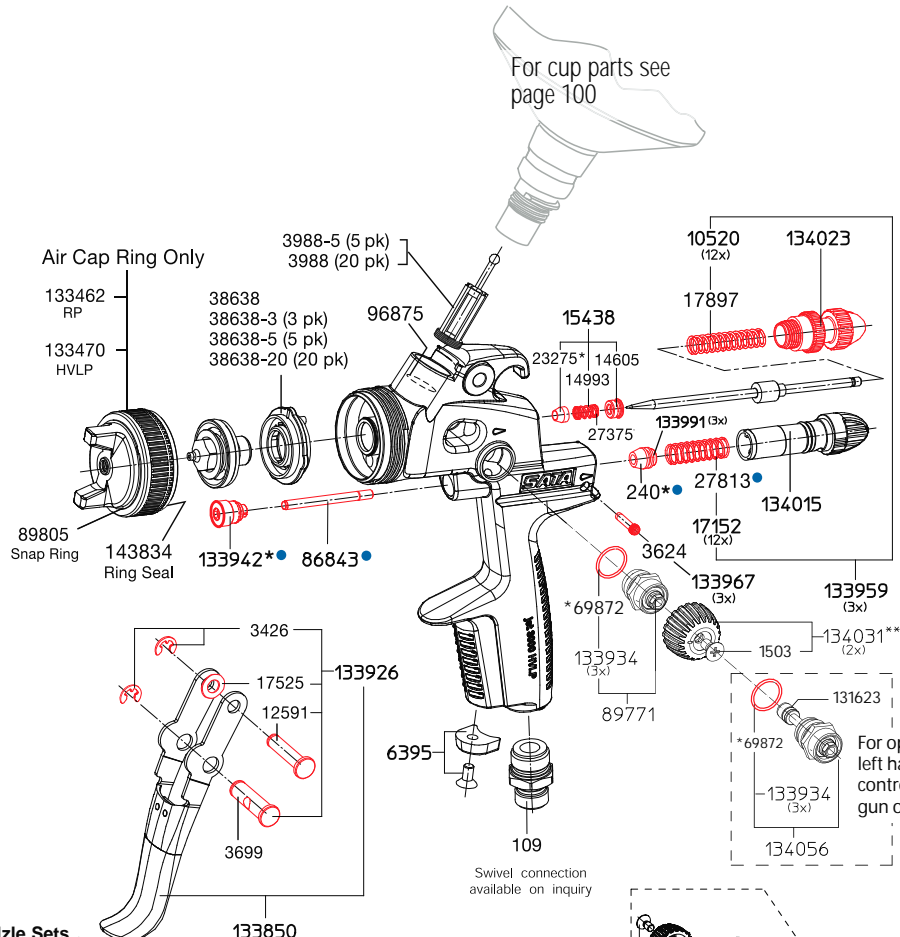
Rev 10-0304

For cup parts see page 100



1 supplied in tool kit and repair kit

**WARNING**  
**on DIGITAL GUNS**  
 Replacing part number 133975 or removing the DIGITAL display cover **VOIDS WARRANTY**  
 It must be returned for service otherwise it will not function properly



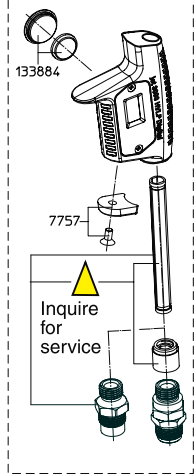
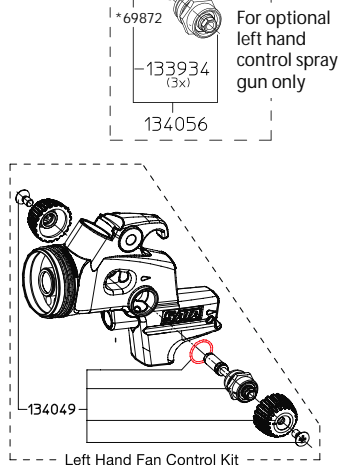
**SATAjet 3000 B RP Nozzle Sets**

Nozzle Size	Part No.
1.0	132357
1.2	132365
1.3	132373
1.4	132381
1.6	132399
1.8	132407
2.0	132415
2.5	132423

**SATAjet 3000 B HVLP Nzzle Sets**

Nozzle Size	Part No.	Test Air Cap
1.0	132910	136341
1.2	132928	136341
WSB	132993	136341
1.3	132936	136341
1.4	132944	136341
1.4 HC	145797	136341
1.5	132951	
1.7	132969	
1.9	132977	
2.2	132985	

Parts color red are contained in repair kit, part no. 133835  
 ● Indicates air piston service set, part no. 82552  
 \* Included in Jet 3000 packing set, part number 136960



**Part# Description**

240	Packing, air piston	17897	Spring, paint needle	96875	Inner cup seal
901	Wrench, universal spanner	23275	Packing, needle	131623	"O" ring, fan control, (small)
1503	Screw, fan control	27243	Cup, 0.6L QCC plastic	133462	RP air cap ring w/ seal
1826	Non-drip device, pk of 4	27375	Spring, needle packing, pk of 12 #14993	133470	HVLP air cap ring w/ seal
3426	Circlip, pin	27813	Spring, air piston	133835	Repair kit, complete
3509	Brush, large standard	38638	Ring, air distribution	133850	Kit, trigger service complete
3624	Pin, air micrometer	38638-3	Ring, air distribution, pk of 3	133884	Kit, battery, cover w/gasket
3699	Pin, lower trigger	38638-5	Ring, air distribution, pk of 5	133926	Kit, trigger sleeve
3988	Sieve, pk of 20	38638-20	Ring, air distribution, pk of 20	133934	"O" ring, fan control, pk of 3 (large)
3988-5	Sieve, pk of 5	43638	Puller, wire air ring	133942	Bushing, air piston
6007	Brush, large standard, pk of 10	49395	Lid, 0.6L plastic	133959	Kit, spring, pk of 3 each of #27813 & #17897
6395	Disc, CC (standard), pk of 4	49437	Cup Lid Drip Ring, 0.6L, pk of 5	133967	Pin, air micrometer, pk of 3
6585	Insert, aluminum cup	64543	Allen wrench, 2	133991	Packing, air piston, pk of 3
7757	Disc, CC (DIGITAL), pk of 4	69872	"O" ring, fan control, (large)	134015	Air micrometer
9050	Tool kit	71555	Lid, plastic, pk of 3	134023	Kit, fluid control and lock nut
9647	Allen wrench, 4	82552	Kit, air piston service	134049	Kit, left hand fan control
10520	Spring, needle, pk of 12 #17897	86843	Piston, air rod	134056	Control, RH fan w/ O-ring
12591	Pin, upper trigger	89771	Fluid Control, w/"O" ring	134098	Fitting, standard ¼ air inlet
14605	Bushing, needle packing	89805	Air cap snap ring	136960	Packing kit
14993	Spring, needle packing	96644	Nipple, QCC aluminum cup	137729	Cup, 0.75 L alum, cpl
15438	Kit, needle packing	96685	Cup, 1L QCC aluminum	140574	Knob, fan control w/screw
17152	Spring, air piston, pk of 12 #27813	96693	Ring, QCC marking	143834	Seal, air cap ring
17525	Spring, spacer lock	96719	Adapter, QCC to PPS cup		