

SATA HRS

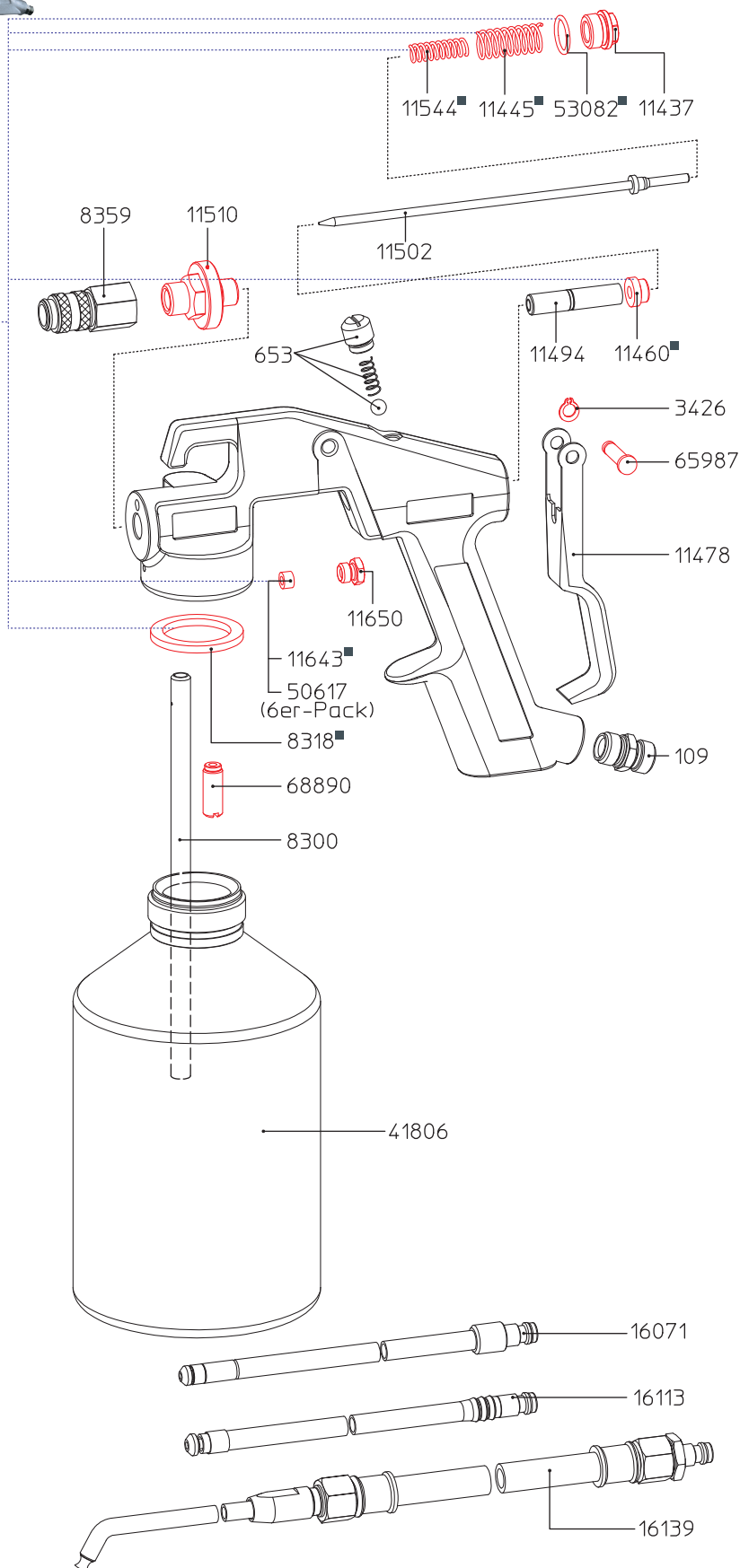


Art. No./ Descr.

9779
Repair kit for SATA HRS

109	Air connection piece G 1/4
653	Back-check valve, cpl.
3426	Locking plate 4 mm DIN 6799 stainless steel for trigger
8300	Suction pipe for HKD, drilled
8318	Sealing ring
8359	Free passage type quick coupling, connection I
11437	End screw
11445	Compression spring for air piston
11460	Air piston
11478	Trigger for HRS, ready for assembly
11494	Cam rod HRS, complete with O-ring
11502	Paint needle 1,5 HRS, complete with needle sleeve
11510	Mixing cap HRS, completely machined
11544	Compression spring for paint needle
11643	Packing for paint needle
11650	Stuffing box
16071	Door wand 1100 mm long, 8 mm dia. connection I
16113	Nylon wand 1300 mm long and 8 mm dia., connection I
16139	Hook wand, consisting of guiding hose 16063, spray pipe 24513, connection I
35204[■]	Wear-and-tear parts kit
41806	1 liter aluminium pressure pot f. HRS max. pressure 10 bar/150psi complete with threaded ring
50617	Set of packings
53082	O ring 12 x 1.5 mm, made of Perbunan
65987	Trigger pin for HRS and UBE
68890	Valve cpl.

50617



2009

