



**BINKS "TROPHY" SERIES  
GRAVITY FEED HVLP & LVMP  
TOUCH-UP SPRAY GUNS**

**(1466-XXXX-XXX)**

CE  II 2 G X

Binks Trophy Series Touch-up Gravity Spray Gun is the premier spray gun for use in gravity feed touch-up and light production spray applications and sets a new standard in durability, ergonomics, and atomization. The lightweight ergonomic design offers unsurpassed comfort and control. The latest advanced atomization technology has been incorporated for achieving consistent, fine finishes when spraying a wide range of industrial coating applications.

Binks Trophy Series Touch-up Gravity Spray Guns are offered in two different atomization technologies: HVLP and LVMP.



**SPECIFICATIONS**

|                       |                           |
|-----------------------|---------------------------|
| Maximum Air Pressure  | 100 psi / 6.9 bar (P-1)   |
| Gun Body              | Anodized Aluminum         |
| Fluid Path            | Stainless Steel           |
| Fluid Inlet Size      | 7/16 – 14(f)              |
| Air Inlet Size        | 1/4" NPS / BSP(m)         |
| Gun Weight (less cup) | 12 oz. / 348 grams        |
| Wetted Parts (gun)    | Stainless Steel & PTFE    |
| Wetted Parts (cup)    | Aluminum and Plated Brass |

**The Trophy HVLP Series of Spray Guns can be used to operate at high transfer efficiencies in compliance with "California South Coast Air Quality Management District" regulations as a High Volume, Low Pressure spray gun.**

**IMPORTANT! DO NOT DESTROY**

It is the customer's responsibility to have all operators and service personnel read and understand this manual. Contact your local Binks representative for additional copies of this manual.

**READ ALL INSTRUCTIONS BEFORE OPERATING THIS BINKS PRODUCT.**

In this part sheet, the words **WARNING**, **CAUTION** and **NOTE** are used to emphasize important safety information as follows:

**⚠ WARNING**  
Hazards or unsafe practices which could result in severe personal injury, death or substantial property damage.

**⚠ CAUTION**  
Hazards or unsafe practices which could result in minor personal injury, product or property damage.

**NOTE**  
Important installation, operation or maintenance information.

## ⚠ WARNING

Read the following warnings before using this equipment.



### READ THE MANUAL

Before operating finishing equipment, read and understand all safety, operation and maintenance information provided in the operation manual.



### WEAR SAFETY GLASSES

Failure to wear safety glasses with side shields could result in serious eye injury or blindness.



### DE-ENERGIZE, DEPRESSURIZE, DISCONNECT AND LOCK OUT ALL POWER SOURCES DURING MAINTENANCE

Failure to De-energize, disconnect and lock out all power supplies before performing equipment maintenance could cause serious injury or death.



### OPERATOR TRAINING

All personnel must be trained before operating finishing equipment.



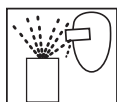
### EQUIPMENT MISUSE HAZARD

Equipment misuse can cause the equipment to rupture, malfunction, or start unexpectedly and result in serious injury.



### KEEP EQUIPMENT GUARDS IN PLACE

Do not operate the equipment if the safety devices have been removed.



### PROJECTILE HAZARD

You may be injured by venting liquids or gases that are released under pressure, or flying debris.



### PINCH POINT HAZARD

Moving parts can crush and cut. Pinch points are basically any areas where there are moving parts.



### INSPECT THE EQUIPMENT DAILY

Inspect the equipment for worn or broken parts on a daily basis. Do not operate the equipment if you are uncertain about its condition.



### NEVER MODIFY THE EQUIPMENT

Do not modify the equipment unless the manufacturer provides written approval.



### KNOW WHERE AND HOW TO SHUT OFF THE EQUIPMENT IN CASE OF AN EMERGENCY



### PRESSURE RELIEF PROCEDURE

Always follow the pressure relief procedure in the equipment instruction manual.



### NOISE HAZARD

You may be injured by loud noise. Hearing protection may be required when using this equipment.



### STATIC CHARGE

Fluid may develop a static charge that must be dissipated through proper grounding of the equipment, objects to be sprayed and all other electrically conductive objects in the dispensing area. Improper grounding or sparks can cause a hazardous condition and result in fire, explosion or electric shock and other serious injury.



### FIRE AND EXPLOSION HAZARD

Never use 1,1,1-trichloroethane, methylene chloride, other halogenated hydrocarbon solvents or fluids containing such solvents in equipment with aluminum wetted parts. Such use could result in a serious chemical reaction, with the possibility of explosion. Consult your fluid suppliers to ensure that the fluids being used are compatible with aluminum parts.



**CA PROP  
65**

### PROP 65 WARNING

WARNING: This product contains chemicals known to the State of California to cause cancer and birth defects or other reproductive harm.

**IT IS THE RESPONSIBILITY OF THE EMPLOYER TO PROVIDE THIS INFORMATION TO THE OPERATOR OF THE EQUIPMENT.**

**FOR FURTHER SAFETY INFORMATION REGARDING BINKS AND DEVILBISS EQUIPMENT,  
SEE THE GENERAL EQUIPMENT SAFETY BOOKLET (77-5300).**

### EC Declaration of Conformity

Manuf. By: Carlisle Fluid Technologies  
320 Philips Ave.  
Toledo, OH 43612

Type/Series: Handheld Spray Guns

Model: Binks "Trophy" Series

The equipment to which this document relates is in conformance with the following standards or other normative references:

**BS EN ISO 12100:2010** and **BS EN 1953:1998 + A1:2009** and thereby conform to the protection requirements of Council Directive 2006/42/EC relating to Machinery Safety Directive, and;

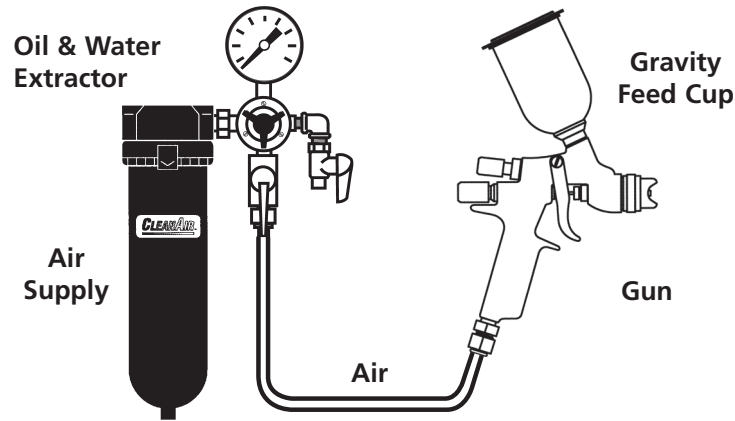
**BS EN 13463-1:2009**, Council Directive 94/9/EC relating to **Equipment and Protective Systems for use in Potentially Explosive Atmospheres**, protection level II 2 G X.

Approved By: Marvin Burns Date: August 1, 2013  
Binks



Binks reserves the right to modify equipment specification without prior notice.

## TYPES OF INSTALLATION



Air pressure for atomization is regulated at the extractor. The flow of the fluid is adjusted by the fluid valve control knob on gun, viscosity of paint and air pressure.

### GRAVITY FEED HOOKUP

On gravity-feed spray guns the cup is located above the gun. The force of gravity pushes the fluid into the gun.


Advantages: this method offers quick color changes and convenience on small jobs or touch-up applications. Gravity spray guns are able to use all of the coating—reducing waste.

### AIR PRESSURE

Atomizing pressure must be set properly to allow for the drop in air pressure between the regulator and the spray gun.

**WITH 60 PSI APPLIED AT AIR SUPPLY**


*Cross section view showing comparison of inside hose diameters (actual size). 60 lbs. regulated pressure*



5/16"

**RECOMMENDED**  
48 PSI at gun inlet

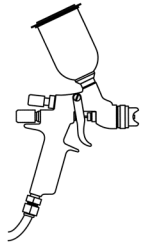
25 feet of 5/16" I.D. hose causes a drop of 12 PSI between the air supply and the gun. For this reason Binks recommends the use of 5/16" hose.



1/4"

**NOT RECOMMENDED**  
Only 34 PSI at gun inlet

25 feet of 1/4" I.D. hose causes a drop of 26 PSI between the air supply and the gun.

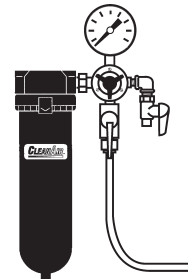


### An oil and water extractor is important.

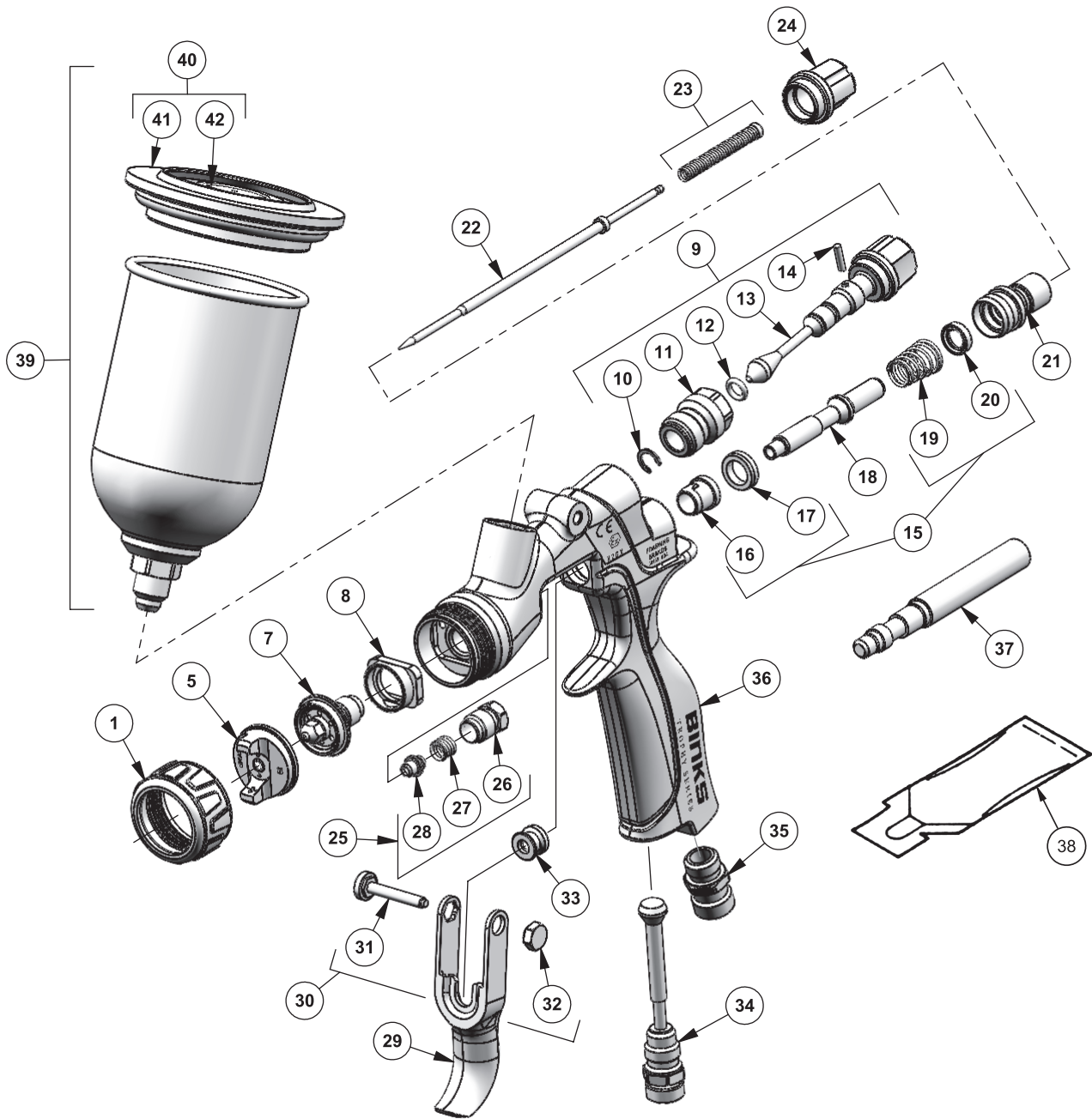
Achieving a fine spray finish without the use of a good oil and water extractor is virtually impossible.

A regulator/extractor serves a double purpose. It eliminates blistering and spotting by keeping air free of oil and water, and it gives precise air pressure control at the gun.

Use DeVilbiss oil and water extractors and regulators. See your local distributor for models.



BINKS "TROPHY" SERIES GRAVITY SPRAY GUN



SELECTION GUIDE FOR BINKS "TROPHY" SERIES TOUCH-UP GRAVITY SPRAY GUNS

| TYPE OF FLUID TO BE SPRAYED   | COMPLETE GUN ASSEMBLY PART NUMBER | FLUID NOZZLE AND AIR CAP | SPRAY TECHNOLOGY |
|---|-----------------------------------|--------------------------|------------------|
| <b>LIGHT/MEDIUM</b><br>15 - 20 seconds, Zahn 2<br>Stains, varnishes, thin lacquers,<br>automotive refinishing materials | 1466-10LV-A1S                     | 1.0 mm X A1              | ROUND            |
|   | 1466-10LV-B1S                     | 1.0 mm X B1              | LVMP             |
|   | 1466-10HV-C1S                     | 1.0 mm X C1              | HVLP             |
| <b>MEDIUM</b><br>20 - 30 seconds, Zahn 2<br>General industrial coatings, enamels,<br>epoxies, fine grit ceramics        | 1466-12LV-B1S                     | 1.2 mm X B1              | LVMP             |
|   | 1466-12HV-C1S                     | 1.2 mm X C1              | HVLP             |

## CHART 1: BINKS "TROPHY" SERIES TOUCH-UP GRAVITY SPRAY GUN PARTS LIST

| ITEM NO. | PART NUMBER      | DESCRIPTION                     | QTY. | ITEM NO. | PART NUMBER | DESCRIPTION                  | QTY. |
|----------|------------------|---------------------------------|------|----------|-------------|------------------------------|------|
| 1        | 54-6211          | AIR CAP RETAINING RING ASSEMBLY | 1    | 23       | 54-6223-K   | ☐ SPRING/PAD ASSEMBLY        | 1    |
| 5        | SEE CHARTS BELOW | AIR CAP                         | 1    | 24       | 54-6111     | KNOB – NEEDLE ADJUSTING      | 1    |
| 7        | SEE CHARTS BELOW | FLUID NOZZLE                    | 1    | 25       | 54-6130-K   | ☐ NEEDLE PACKING KIT         | 1    |
| 8        | 54-6215-K5       | BAFFLE/SEPARATOR (KIT OF 5)     | 1    | 26       | -----       | ■ NUT – PACKING              | 1    |
| 9        | 54-6216          | SIDE PORT VALVE ASSEMBLY        | 1    | 27       | -----       | ■ SPRING FOR PACKING         | 1    |
| 10       | -----            | +<br>△ RETAINING CLIP           | 1    | 28       | -----       | ■<br>▼ NEEDLE PACKING        | 1    |
| 11       | -----            | + BODY BUSHING                  | 1    | 29       | 54-6218     | TRIGGER                      | 1    |
| 12       | -----            | +<br>△ O-RING                   | 1    | 30       | 54-6228-K   | TRIGGER SCREW NUT KIT        | 1    |
| 13       | -----            | + SIDE PORT STEM                | 1    | 31       | -----       | ○ TRIGGER SCREW              | 1    |
| 14       | -----            | +<br>△ PIN                      | 1    | 32       | -----       | ○ TRIGGER NUT                | 1    |
| 15       | 54-6131-K        | ☐ AIR VALVE SERVICE KIT         | 1    | 33       | 54-3513     | SPINDLE CAP                  | 1    |
| 16       | -----            | • FRONT SEAL – AIR VALVE        | 1    | 34       | JJ-42       | AIR ADJUSTING VALVE ASSEMBLY | 1    |
| 17       | -----            | • FRONT AIR VALVE SEAL          | 1    | 35       | JJ-30       | FITTING – AIR INLET          | 1    |
| 18       | 54-6220          | ☐ AIR VALVE SPINDLE             | 1    | 36       | -----       | GUN BODY                     | 1    |
| 19       | -----            | • AIR VALVE SPRING              | 1    | 37       | -----       | TOOL – SEAL INSERTION        | 1    |
| 20       | -----            | • REAR SEAL – AIR VALVE         | 1    | 38       | -----       | GUNNER'S MATE (3 CC TUBE)    | 1    |
| 21       | SN-66            | HOUSING                         |      | 39       | 54-4458     | 4 OZ. GRAVITY CUP ASSEMBLY   | 1    |
| 22       | 47-6851          | NEEDLE – STAINLESS STEEL (STD.) | 1    | 40       | 54-4459     | * LID ASSEMBLY               | 1    |
|          | 47-6852          | NEEDLE – PLASTIC TIP            | 1    | 41       | -----       | CUP LID                      | 1    |
|          |                  |                                 |      | 42       | -----       | CUP LID                      | 1    |

### CHART 2: AIR CAP OPTIONS

| DESIGNATION | ATOMIZATION TECHNOLOGY | PART NUMBER |
|-------------|------------------------|-------------|
| A1          | Round Spray            | 46-10020    |
| B1          | LVMP                   | 46-10010    |
| C1          | HVLP                   | 46-10000    |

HVLP TEST KIT FOR C1 AIR CAP: 54-6226

### CHART 3: HVLP AIR PRESSURES AND FLOWS

| GUN INLET PRESSURE (PSI) | AIR CAP AIR FLOW (SCFM) | AIR CAP ATOMIZING PRESSURE (PSI) |
|--------------------------|-------------------------|----------------------------------|
| 5                        | 2.5                     | 2                                |
| 10                       | 4.0                     | 4                                |
| 15                       | 5.1                     | 7                                |
| 21                       | 6.4                     | 10                               |

GUN INLET PRESSURE IS MEASURED AT THE GUN INLET FITTING WITH THE GUN TRIGGERED.

### CHART 4: LVMP AIR PRESSURES AND FLOWS

| GUN INLET PRESSURE (PSI) | AIR CAP AIR FLOW (SCFM) |
|--------------------------|-------------------------|
| 15                       | 4.7                     |
| 20                       | 5.8                     |
| 25                       | 6.9                     |
| 30                       | 7.8                     |

- + PARTS INCLUDED IN 54-6216
- PARTS INCLUDED IN 54-6130-K
- PARTS INCLUDED IN 54-6131-K
- PARTS INCLUDED IN 54-6228-K
- △ GTI-428-K5 SIDE PORT REPAIR KIT
- ▼ ALSO AVAILABLE IN KIT OF 3: SN-2-K3
- \* AVAILABLE IN KIT 54-4539 (SET OF 3)
- ☐ PARTS INCLUDED IN 54-6136

### CHART 5:

#### HARDENED STAINLESS STEEL FLUID NOZZLE OPTIONS

| MATERIAL  | PART NO. / ORIFICE        |
|---|---------------------------|
| <b>VERY LIGHT / REDUCED FLOW</b>  | 45-12080<br>0.8mm (.030") |
| <b>LIGHT/MEDIUM</b><br>15 - 20 seconds, Zahn 2<br>Stains, varnishes, thin lacquers,<br>automotive refinishing materials | 45-12100<br>1.0mm (.040") |
| <b>MEDIUM</b><br>20 - 30 seconds, Zahn 2<br>General industrial coatings, enamels,<br>epoxies, fine grit ceramics        | 45-12120<br>1.2mm (.047") |
| <b>HEAVY</b><br>Greater than 30 seconds, Zahn 2<br>Low VOC coatings, adhesives,<br>fine grit ceramics                   | 45-12140<br>1.4mm (.055") |

## INSTALLATION INSTRUCTIONS

For maximum transfer efficiency, do not use more pressure than is necessary to atomize the material being applied.

### NOTE

When using HVLP do not exceed inlet pressures listed on page 5.

1. Connect the gun to a clean, moisture and oil free air supply using a conductive hose of at least 5/16 in I.D.

### NOTE

Depending on hose length, larger I.D. hose may be required. Install an air gauge at the gun handle. See page 5 for operating pressures. Do not use more pressure than is necessary to atomize the material being applied. Excess pressure will create additional overspray and reduce transfer efficiency.

### NOTE

If quick connect couplings are required, use only high flow quick connects approved for HVLP use. Other types will not flow enough air for correct gun operation.

### NOTE

If an air adjusting valve is used at the gun inlet, use HAV-501 adjusting valve.

### NOTE

Before using the spray gun, flush it with solvent to ensure that the fluid passages are clean.

## OPERATION

### GRAVITY MODELS

1. Mix coating material to manufacturer's instructions and strain material.
2. Fill the cup to no more than 3/4 inch from the top of the cup. DO NOT OVERFILL.
3. Attach to cup lid.
4. Turn fluid adjusting knob (24) clockwise to prevent fluid needle movement.
5. Turn sideport control (9) counter clockwise to fully open.
6. Adjust inlet air pressure if required.
7. Turn fluid adjusting knob counter clockwise until first thread shows.
8. Test spray. If the finish is too dry, reduce airflow by reducing air inlet pressure.

9. If finish is too wet, reduce fluid flow by turning fluid adjusting knob (24) clockwise. If atomization is too coarse, increase inlet air pressure. If too fine, reduce inlet pressure.
10. The pattern size can be reduced by turning sideport control (9) clockwise.
11. Hold gun perpendicular to surface being sprayed. Arcing or tilting may result in uneven coating.
12. The recommended spray distance is 8 inches.
13. Spray edges first. Overlap each stroke a minimum of 75%. Move gun at a constant speed.
14. Always turn off air supply and relieve pressure when gun is not in use.

## PREVENTIVE MAINTENANCE AND CLEANING

To clean air cap and fluid nozzle, brush exterior with a stiff bristle brush. If necessary to clean cap holes, use a broom straw or toothpick if possible. If a wire or hard instrument is used, extreme care must be used to prevent scratching or burring of the holes which will cause a distorted spray pattern.

To clean fluid passages, remove excess material from gun, then flush with gun wash solution. Wipe the gun exterior with a dampened cloth. Never completely immerse in any solvent or cleaning solutions as this is detrimental to the lubricants and life of the spray gun.

### NOTE

When replacing the fluid nozzle (7) or fluid needle (22), replace both at the same time. Using worn parts can cause fluid leakage. See page 4. Also, replace the needle packing at this time. Torque the fluid nozzle to 170–180 inch-lbs. Do not over tighten.

### CAUTION

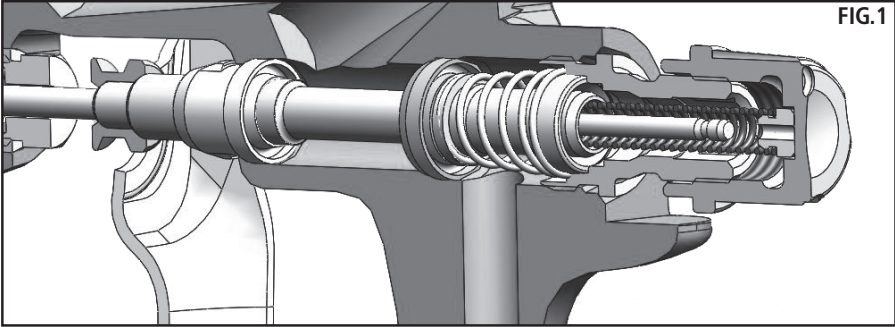
To prevent damage to fluid nozzle (7) or fluid needle (22), be sure to either 1) pull the trigger and hold while tightening or loosening the fluid nozzle, or 2) remove fluid adjusting knob (24) to relieve spring pressure against needle collar.

**GRAVITY CUP.** Empty excess material and clean the cup. Make sure the vent hole in the lid is clear.

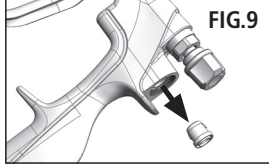
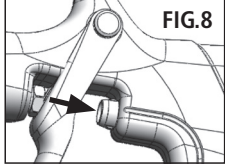
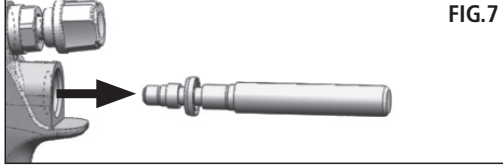
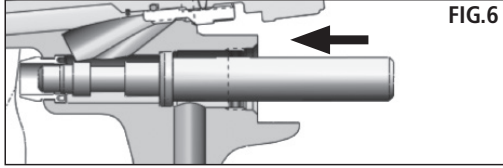
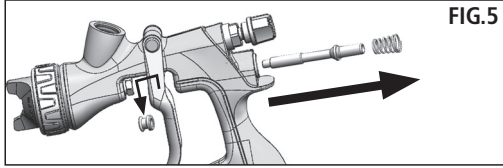
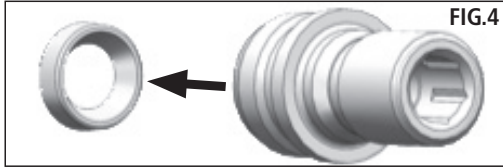
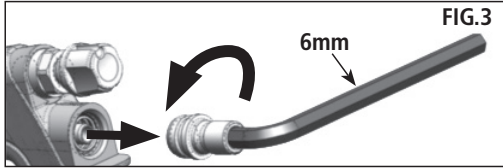
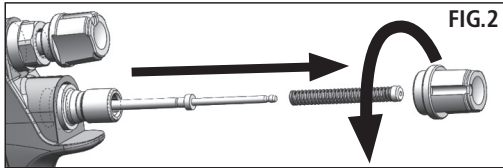


# REMOVAL AND INSTALLATION PROCEDURES

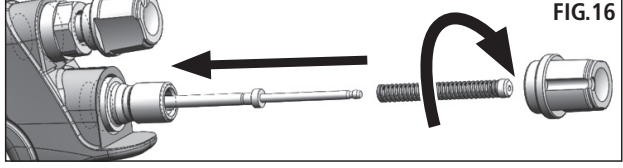
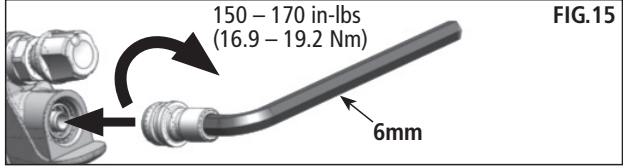
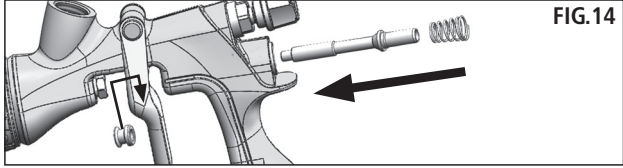
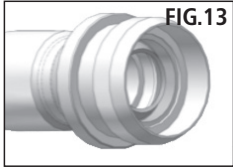
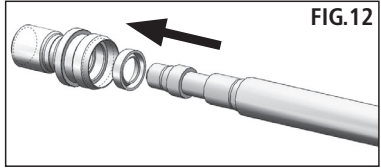
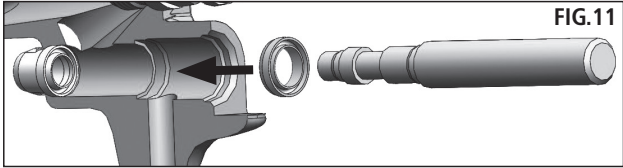
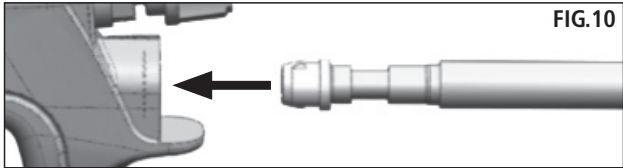
## NEEDLE AND VALVE DISASSEMBLY AND ASSEMBLY



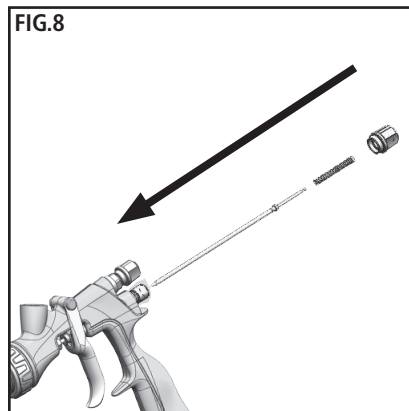
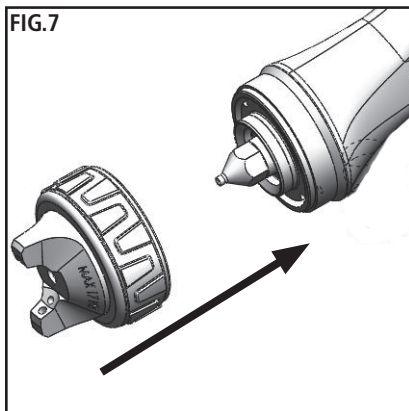
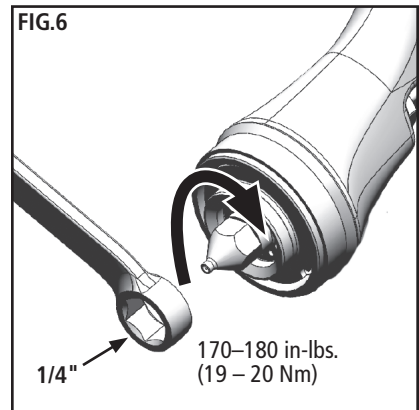
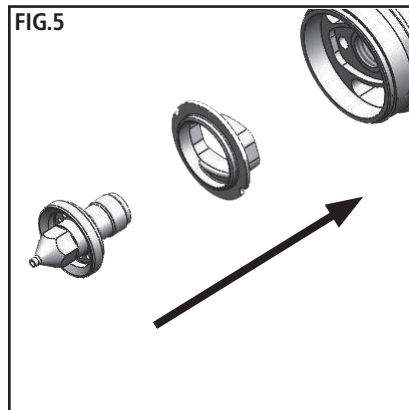
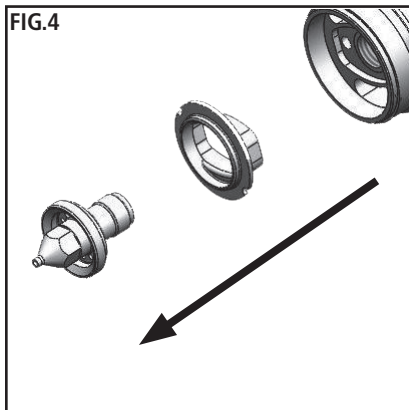
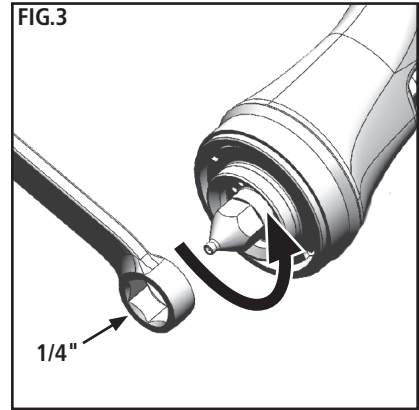
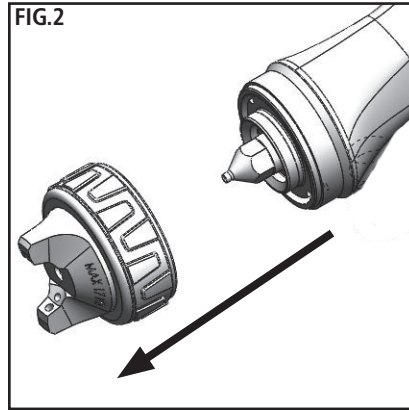
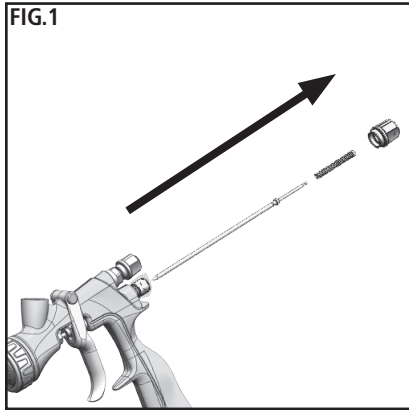
### DISASSEMBLY



### ASSEMBLY

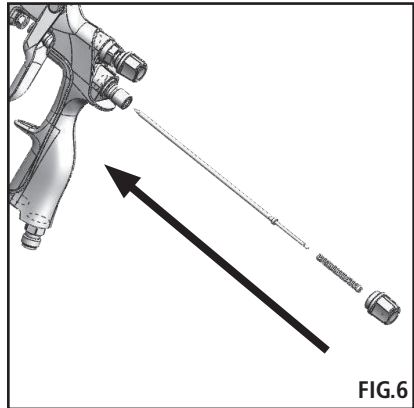
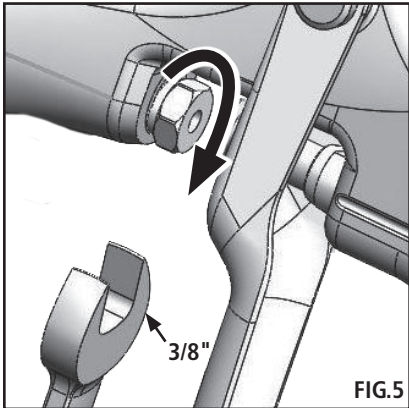
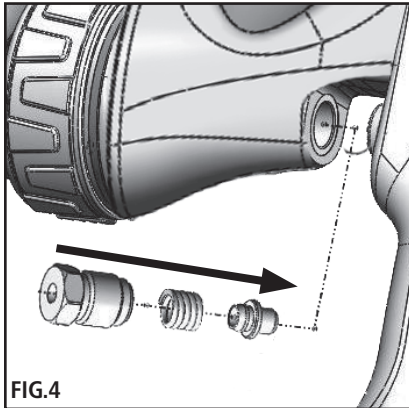
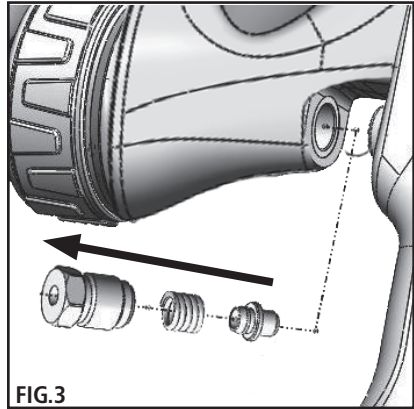
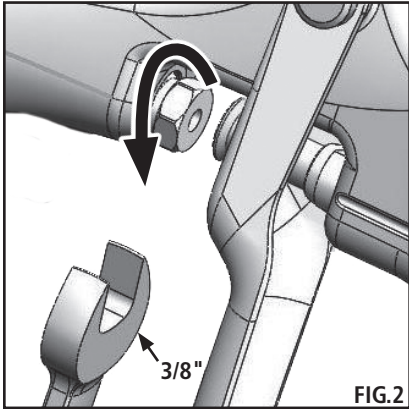
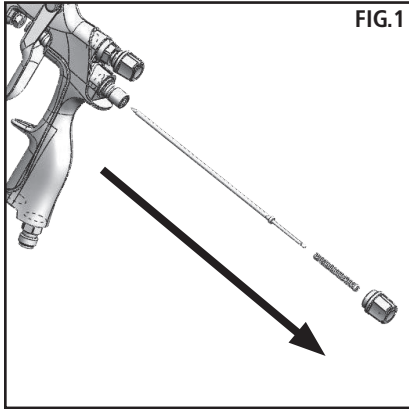


MAINTENANCE – FLUID NOZZLE AND BAFFLE REMOVAL AND INSTALLATION

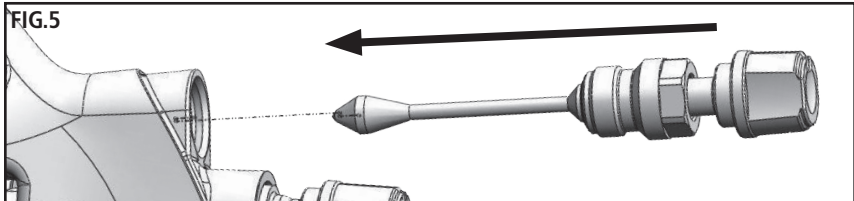
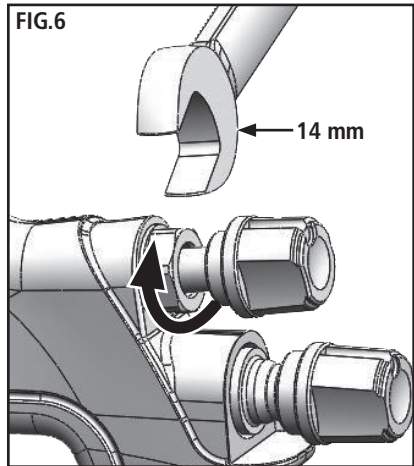
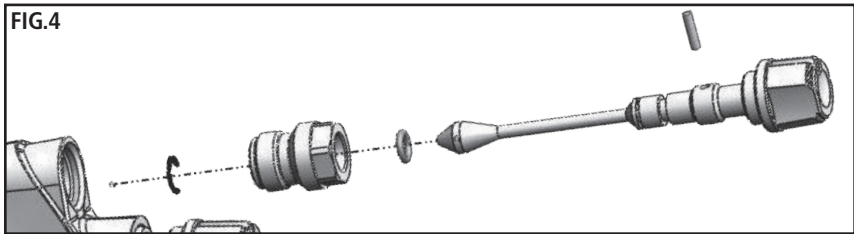
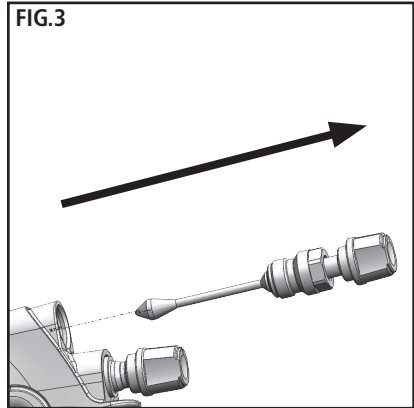
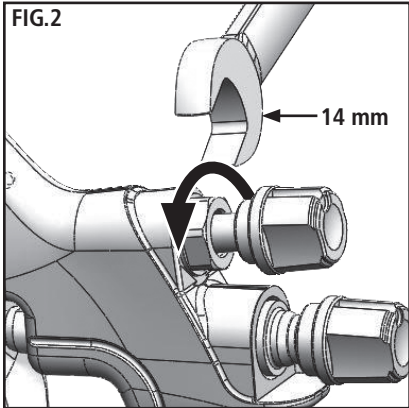
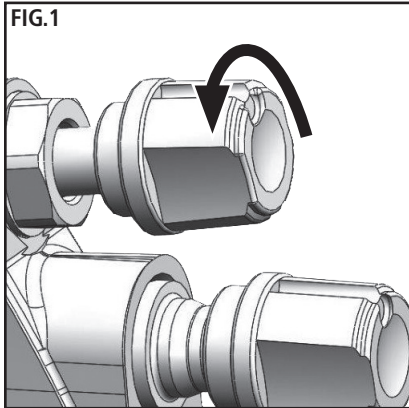









### MAINTENANCE – NEEDLE PACKING REMOVAL AND INSTALLATION



### MAINTENANCE – SIDEPORT REMOVAL AND INSTALLATION



## TROUBLESHOOTING

| CONDITION   | CAUSE  | CORRECTION   |
|---|--|--|
| <b>Heavy top or bottom pattern</b>       | Horn holes plugged.<br>Obstruction on top or bottom of fluid tip.<br>Cap and/or tip seat dirty.  | Clean. Ream with non-metallic point.<br>Clean.<br>Clean.   |
| <b>Heavy right or left side pattern</b>  | Left or right side horn holes plugged.<br>Dirt on left or right side of fluid tip.   | Clean. Ream with non-metallic point.<br>Clean.   |
|   | Remedies for the top-heavy, bottom-heavy, right-heavy, and left-heavy patterns:<br>1. Determine if the obstruction is on the air cap or the fluid tip. Do this by making a test spray pattern. Then, rotate the cap one-half turn and spray another pattern. If the defect is inverted, obstruction is on the air cap. Clean the air cap as previously instructed.<br>2. If the defect is not inverted, it is on the fluid tip. Check for a fine burr on the edge of the fluid tip. Remove with #600 wet or dry sand paper.<br>3. Check for dried paint just inside the opening; remove by washing with solvent. |  |
| <b>Heavy center pattern</b>              | Fluid flow too high for atomization air.<br><br>Material flow exceeds air cap's capacity.<br>Spreader adjustment valve set too low.<br>Atomizing pressure too low.<br>Material too thick.  | Balance air pressure and fluid flow. Increase spray pattern width with spreader adjustment valve.<br><br>Thin or lower fluid flow.<br>Adjust.<br>Increase pressure.<br>Thin to proper consistency. |
| <b>Split spray pattern</b>              | Atomization air pressure too high.<br>Fluid flow too low.<br>Spreader adjusting valve set too high.  | Reduce at transformer or gun.<br>Increase fluid flow (increases gun handling speed).<br>Adjust.  |
| <b>Jerky or fluttering spray</b>       | *Loose or damaged fluid tip/seat.<br>Material level too low.<br>Container tipped too far.<br>Obstruction in fluid passage.<br>Dry or loose fluid needle packing nut.   | Tighten or replace.<br>Refill.<br>Hold more upright.<br>Backflush with solvent.<br>Lubricate or tighten.   |
| <b>Unable to get round spray</b>  | Spreader adjustment screw not seating properly.<br>Air cap retaining ring loose.   | Clean or replace.<br><br>Tighten.  |
| <b>Will not spray</b>   | No air pressure at gun.<br><br>Fluid needle adjusting screw not open enough.<br>Fluid too heavy for gravity feed.  | Check air supply and air lines, blow out gun air passages.<br>Open fluid needle adjusting screw.<br>Thin material and/or change to larger tip size.  |
| <b>Paint bubbles in cup</b>   | Fluid tip not tight.   | Tighten tip.   |
| <b>Fluid leaking or dripping from cup lid</b>   | Cup lid loose.<br>Dirty threads on cup or lid.<br>Cracked cup or lid.  | Tighten lid.<br>Clean.<br>Replace cup and lid.   |

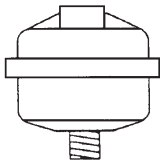
\*Most common problem.

## TROUBLESHOOTING

| CONDITION   | CAUSE   | CORRECTION   |
|---|---|--|
| <b>Starved spray pattern</b>                                | Inadequate material flow.<br>Low atomization air pressure.  | Back fluid adjusting screw out to first thread,<br>or change to larger tip size.<br>Increase air pressure and rebalance gun.   |
| <b>Excessive overspray</b>                                  | Too much atomization air pressure.<br>Gun too far from work surface.<br>Improper stroking (arcing, gun motion too fast).  | Reduce pressure.<br>Adjust to proper distance.<br>Move at moderate pace, parallel to work surface.   |
| <b>Excessive fog</b>  | Too much or too fast-drying thinner.<br>Too much atomization (air pressure.)  | Remix properly.<br>Reduce air pressure.  |
| <b>Dry spray</b>  | Air pressure too high.<br>Gun tip too far from work surface.<br>Gun motion too fast.<br>Gun out of adjustment.  | Reduce air pressure.<br>Adjust to proper distance.<br>Slow down.<br>Adjust.  |
| <b>Fluid leaking from packing nut</b>                       | Packing nut loose.<br>Packing worn or dry.  | Tighten, do not bind needle.<br>Replace or lubricate.  |
| <b>Fluid leaking or dripping from front of gun</b>          | Packing nut too tight.<br>Dry packing.<br>Fluid tip or needle worn or damaged.<br>Foreign matter in tip.<br>Fluid needle spring broken.<br>Wrong size needle or tip.                      | Adjust.<br>Lubricate.<br>Replace tip and needle.<br>Clean.<br>Replace.<br>Replace.   |
| <b>Fluid dripping or leaking from bottom of cup</b>         | Cup loose on gun.<br>Cup gasket worn or missing below cup.<br>Cup threads dirty.  | Tighten.<br>Replace cup gasket.<br>Clean.  |
| <b>Runs and sags</b>  | Too much material flow.<br>Material too thin.<br>Gun tilted on an angle, or gun motion too slow.  | Adjust gun or reduce fluid flow.<br>Mix properly or apply light coats.<br>Hold gun at right angle to work and adapt to proper gun technique.   |
| <b>Thin, sandy coarse finish drying before it flows out</b> | Gun too far from surface.<br>Too much air pressure.<br>Improper thinner being used.   | Check distance. Normally approximately 8".<br>Reduce air pressure and check spray pattern.<br>Follow paint manufacturer's mixing instructions.   |
| <b>Thick, dimpled finish "orange peel"</b>                  | Gun too close to surface.<br>Too much material coarsely atomized.<br>Air pressure too low.<br>Improper thinner being used.<br>Material not properly mixed.<br>Surface rough, oily, dirty. | Check distance. Normally approximately 8".<br>Follow paint manufacturer's mixing instructions.<br>Increase air pressure or reduce fluid flow.<br>Follow paint manufacturer's mixing instructions.<br>Follow paint manufacturer's mixing instructions.<br>Follow paint manufacturer's mixing instructions.<br>Properly clean and prepare. |

## ACCESSORIES

**HAF-507-K12 Whirlwind™ In-Line Air Filter Kit of 12**




Removes water, oil, and debris from the air line.

**192212 Professional Spray Gun Cleaning Kit**



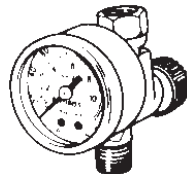
Contains six precision tools designed to effectively clean all DeVilbiss, Binks, Finishline and other brand spray guns.

**6-429 Binks Gunners Mate Lube (Twenty 2 oz. bottles)**




Compatible with all paint materials; contains no silicone or petroleum distillates to contaminate paint. SDS available upon request.

**HAV-500 OR HAV-501 Adjusting Valve (HAV-501 SHOWN)**



HAV-500 does not have pressure gauge. Use to control air usage at gun.

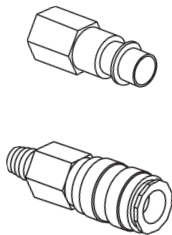
**Millennium 3000 Twin Cartridge Paint Spray Respirator**



NIOSH-Certified, for respiratory protection in atmospheres not immediately dangerous to life.

|                 |                  |                 |
|-----------------|------------------|-----------------|
| Small<br>40-141 | Medium<br>40-128 | Large<br>40-143 |
|-----------------|------------------|-----------------|


**Quick Connects for HVLP Guns (Air) High Flow Type**



HC-4419 Stem  
1/4" NPT(F)  
Gun End

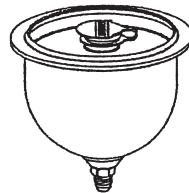
HC-4719 Coupler  
1/4" NPT(M)  
Hose End

**29-3100 Scrubs® Hand Cleaner Towels**



Scrubs® are a premoistened hand cleaner towel for painters, body men and mechanics that go where you go and no water is needed.


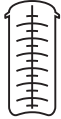
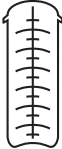














**Optional Gravity Cups**



**81-381 8 oz. Aluminum Cup**  
(shown)

**SRI-510 4 oz. Acetal Cup**

**DeKups® Accessories for gravity feed cups**

|   |  |   |  |  |   |
|---|--|---|--|--|---|
| <b>DPC-60-K10</b><br>9oz Universal<br>x10   | <b>DPC-59-K10</b><br>24oz Universal<br>x10   | <b>DPC-61-K10</b><br>34oz Universal<br>x10  | <b>125 µm DPC-42-K24</b><br>x24  | <b>200 µm DPC-66-K24</b><br>x24  | <b>DPC-6-K10</b><br>x10   |
|  |   |  |   |  |  |
| <b>125 µm DPC-65-K24</b><br>x24   | <b>200 µm DPC-67-K24</b><br>x24  |   |  |  | <b>DPC-22-K24</b><br>x24  |
|  |  |   |  |  |  |
| <b>DPC-607</b><br>x2  | <b>DPC-606</b><br>x2   | <b>DPC-608</b><br>x2  | <b>9 FL 265 mL DPC-602</b><br>x32  | <b>24 FL 710 mL DPC-601</b><br>x32   | <b>DPC-44</b>   |
|  |   |  |   |   |  |
|   |  |   | <b>34 FL 1000 mL DPC-600</b><br>x32  |  | <b>DPC-23</b>   |
|   |  |   |  |  |  |
| <b>SHELLS</b>   |  |   | <b>LINERS</b>  |  |   |

---

NOTES

## WARRANTY POLICY

Binks products are covered by Carlisle Fluid Technologies one year materials and workmanship limited warranty. The use of any parts or accessories, from a source other than Carlisle Fluid Technologies, will void all warranties. For specific warranty information please contact the closest Carlisle Fluid Technologies location listed below.

Carlisle Fluid Technologies reserves the right to modify equipment specifications without prior notice. DeVilbiss®, Ransburg®, MS®, BGK®, and Binks® are registered trademarks of Carlisle Fluid Technologies, Inc. ©2016 Carlisle Fluid Technologies, Inc. All rights reserved.



Binks is part of Carlisle Fluid Technologies, a global leader in innovative finishing technologies. For technical assistance or to locate an authorized distributor, contact one of our international sales and customer support locations.

### USA/Canada

info@carlisleleft.com  
Tel: 1-888-992-4657  
Fax: 1-888-246-5732

### Mexico

ventas@carlisleleft.com.mx  
Tel: 011 52 55 5321 2300  
Fax: 011 52 55 5310 4790

### Brazil

vendas@carlisleleft.com.br  
Tel: +55 11 5641 2776  
Fax: 55 11 5641 1256

### United Kingdom

info@carlisleleft.eu  
Tel: +44 (0)1202 571 111  
Fax: +44 (0)1202 573 488

### France

info@carlisleleft.eu  
Tel: +33(0)475 75 27 00  
Fax: +33(0)475 75 27 59

### Germany

info@carlisleleft.eu  
Tel: +49 (0) 6074 403 1  
Fax: +49 (0) 6074 403 281

### China

mkt@carlisleleft.com.cn  
Tel: +8621-3373 0108  
Fax: +8621-3373 0308

### Japan

overseas-sales@carlisleleft.co.jp  
Tel: 081 45 785 6421  
Fax: 081 45 785 6517

### Australia

sales@carlisleleft.com.au  
Tel: +61 (0) 2 8525 7555  
Fax: +61 (0) 2 8525 7575

For the latest information about our products, visit [www.carlisleleft.com](http://www.carlisleleft.com).







**PISTOLAS PULVERIZADORAS HVLP Y LVMP  
PARA RETOQUES ALIMENTADAS  
POR GRAVEDAD  
SERIE "TROPHY" DE BINKS**

(1466-XXXX-XXX)

CE II 2 G X

La pistola pulverizadora para retoques alimentada por gravedad Serie "Trophy" de Binks es la principal pistola pulverizadora para uso en aplicaciones de atomización para retoques y producción ligera alimentadas por gravedad que fija nuevos estándares de durabilidad, ergonomía y atomización. El diseño ergonómico liviano ofrece comodidad y control insuperables. Se ha incorporado la más avanzada tecnología de atomización para lograr acabados finos consistentes al atomizar una amplia gama de aplicaciones de recubrimiento industrial.

Las pistolas pulverizadoras para retoques alimentadas por gravedad Serie "Trophy" de Binks se ofrecen en dos diferentes tecnologías de atomización: HVLP y LVMP.



**ESPECIFICACIONES**

Las pistolas pulverizadoras Serie HVLP "Trophy" se pueden usar para operar con altas eficiencias de transferencia en cumplimiento con las regulaciones del "Distrito para el control de la calidad del aire de la Costa Sur de California" como una pistola pulverizadora de alto volumen, baja presión.

|   |                            |
|---|----------------------------|
| Presión máxima del aire                   | 100 psi / 6.9 bar (P-1)    |
| Cuerpo de la pistola                      | Aluminio anodizado         |
| Conducto del fluido                       | Acero inoxidable           |
| Tamaño del orificio de entrada del fluido | 7/16 - 14(pie)             |
| Tamaño del orificio de entrada del aire   | 1/4" NPS / BSP(m)          |
| Peso de la pistola (menos la cubeta)      | 12 oz. / 348 gramos        |
| Partes humedecidas (pistola)              | Acero inoxidable y PTFE    |
| Partes humedecidas (cubeta)               | Aluminio y latón enchapado |

**¡IMPORTANTE! NO DESTRUIR**

Es responsabilidad del cliente que todos los operadores y miembros del personal de servicios lean y comprendan este manual. Para obtener copias adicionales de este manual, favor ponerse en contacto con un representante de Binks de su localidad.

**LEA TODAS LAS INSTRUCCIONES ANTES DE OPERAR ESTE PRODUCTO BINKS.**

En esta Hoja de piezas, las palabras **ADVERTENCIA**, **PRECAUCIÓN** y **NOTA** se emplean para enfatizar información de seguridad importante de la siguiente forma:

**ADVERTENCIA**  
Prácticas peligrosas o inseguras que pueden ocasionar lesiones personales graves, la muerte o daño substancial a la propiedad.

**PRECAUCIÓN**  
Prácticas peligrosas o inseguras que pueden ocasionar lesiones personales leves, la muerte, daño al producto o a la propiedad.

**NOTA**  
Información importante de instalación, operación o mantenimiento.

**ADVERTENCIA**

Lea las siguientes advertencias antes de usar este equipo.



**LEA EL MANUAL**  
Antes de operar los equipos de acabado, lea y comprenda toda la información de seguridad, operación y mantenimiento incluida en el manual de operaciones.



**USE GAFAS PROTECTORAS**  
No usar gafas protectoras con resguardos laterales puede ocasionar lesiones graves en los ojos o ceguera.



**DESACTIVE, DESPRESURICE, DESCONECTE Y BLOQUEE TODAS LAS FUENTES DE ENERGÍA DURANTE EL MANTENIMIENTO.**  
No desactivar, desconectar ni bloquear todas las fuentes de suministro de energía antes de realizar operaciones de mantenimiento en los equipos puede ocasionar lesiones graves o la muerte.



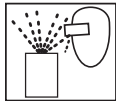
**CAPACITACIÓN DE LOS OPERADORES**  
Todos los miembros del personal deben ser capacitados antes de operar los equipos de acabado.



**PELIGRO POR USO INDEBIDO DEL EQUIPO**  
El uso indebido del equipo puede ocasionar averías, mal funcionamiento o activación imprevista lo que a su vez puede producir lesiones graves.



**MANTENGA LAS DEFENSAS DEL EQUIPO EN SU LUGAR.**  
No operar los equipos si los dispositivos de seguridad fueron retirados.



**PELIGRO DE PROYECTILES**  
Usted puede resultar lesionado por dar salida a líquidos o gases liberados bajo presión o por restos que vuelan.



**PELIGRO DE PUNTOS DE PRESIÓN**  
Las partes móviles pueden aplastar y ocasionar cortaduras. Los puntos de presión son básicamente todas las áreas donde haya partes móviles.



**INSPECCIONE LOS EQUIPOS DIARIAMENTE**  
Inspeccione diariamente los equipos para verificar que no tengan piezas gastadas o rotas. No opere los equipos si no está seguro de esta condición.



**NUNCA MODIFIQUE LOS EQUIPOS**  
No modifique el equipo sin la autorización escrita del fabricante.



**SEPA CÓMO Y DÓNDE DESACTIVAR LOS EQUIPOS EN CASO DE EMERGENCIA.**



**PROCEDIMIENTO DE LIBERACIÓN DE PRESIÓN**  
Siga siempre el procedimiento de liberación de presión que aparece en el manual de instrucciones del equipo.



**PELIGRO DE RUIDO**  
Usted puede resultar lesionado por el ruido muy fuerte. Podría necesitar protección de los oídos al usar este equipo.



**CARGA ESTÁTICA**  
Los fluidos pueden generar una carga estática que debe ser disipada mediante la debida conexión a tierra del equipo, los objetos que van a ser atomizados y todos los demás objetos electroconductores en el área de aplicación. La conexión a tierra indebida o las chispas pueden ocasionar condiciones de peligro y producir incendios, explosiones o descargas eléctricas y otras lesiones graves.



**PELIGRO DE INCENDIO Y EXPLOSIÓN**  
Nunca use 1, 1,1-tricloroetano, cloruro de metileno, otros disolventes con hidrocarburos halogenados o fluidos que contengan dichos disolventes en equipos con piezas de aluminio humedecidas. Tales usos pueden producir una reacción química peligrosa con posibilidades de explosión. Consulte con sus proveedores de fluidos para asegurarse de que los fluidos que se vayan a usar sean compatibles con las piezas de aluminio.



**ADVERTENCIA PROP 65 DE CA**  
ADVERTENCIA: Este producto contiene sustancias químicas que según información en poder del estado de California producen cáncer, defectos de nacimiento y otros daños al sistema reproductor.

**ES RESPONSABILIDAD DEL EMPLEADOR SUMINISTRAR ESTA INFORMACIÓN AL OPERADOR DEL EQUIPO.**

**PARA MÁS INFORMACIÓN DE SEGURIDAD ACERCA DE LOS EQUIPOS BINKS Y DEVILBISS, CONSULTE EL FOLLETO DE SEGURIDAD GENERAL DE LOS EQUIPOS (77-5300).**

**Declaración de conformidad de CE**

Fabricado por: Carlisle Fluid Technologies  
320 Philips Ave.  
Toledo, OH 43612

Tipo/Serie: Pistolas pulverizadoras de mano

Modelo: Serie "Trophy" de Binks

El equipo con el cual se relaciona este documento cumple con las siguientes normas u otras referencias normativas:

**BS EN ISO 12100:2010 y BS EN 1953:1998 + A1:2009** y por consiguiente cumple con los requisitos de protección de la Directiva del Consejo 2006/42/CE relacionada con la Directiva de Seguridad de Maquinaria, y;

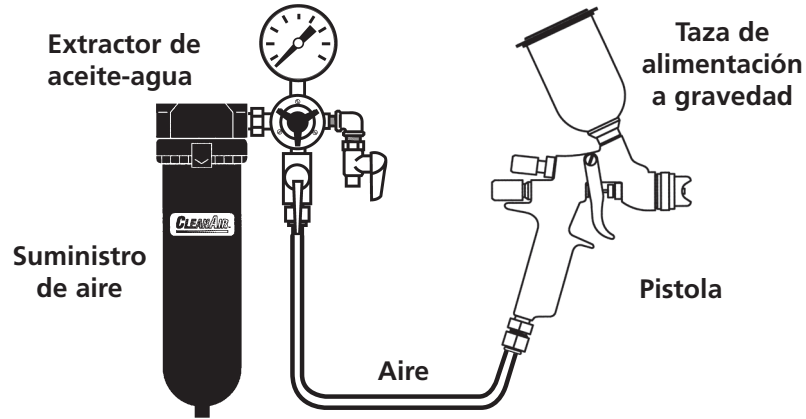
**BS EN 13463-1:2009**, Directiva del Consejo **94/9/CE** relacionada con **Equipos y Sistemas de Protección para ser usados en el nivel de protección II 2 G X para Atmosferas Potencialmente Explosivas.**

Aprobado por: Marvin Burns Binks Fecha: 1 de agosto de 2013

**CE**

Binks se reserva el derecho de modificar la especificación del equipo sin aviso previo.

## TIPOS DE INSTALACIÓN



La presión de aire para atomización se regula en el extractor. El flujo del fluido es ajustado por la perilla de control de la válvula de fluido en la pistola, la viscosidad de la pintura y la presión de aire.

### ENGANCHE DE LA ALIMENTACIÓN A GRAVEDAD

En las pistolas de alimentación por gravedad de la copa se encuentra por encima de la pistola. La fuerza de la gravedad empuja el fluido en la pistola.

Ventajas: Este método ofrece cambios rápidos de color y la comodidad en trabajos pequeños o retoque aplicaciones. Pistolas de pulverización por gravedad son capaces de utilizar todos los residuos de revestimiento de reducción.

### PRESIÓN DEL AIRE

La presión de atomización se debe ajustar debidamente para permitir la caída de la presión de aire entre el regulador y la pistola pulverizadora.

**CON PRESIÓN DE AIRE DE 60 PSI APLICADA EN EL SUMINISTRO DE AIRE**



5/16"



1/4"

*Vista en corte transversal que ilustra una comparación de los diámetros internos de la manguera (tamaño real). Presión regulada de 60 lbs.*

**RECOMENDADO**

48 PSI en orificio de entrada de la pistola

Una manguera de 25 pies con D.I. de 5/16" causa una caída de presión de 12 PSI entre el suministro de aire y la pistola. Por este motivo Binks recomienda el uso de una manguera de 5/16".

**NO RECOMENDADO**

Sólo 34 PSI en el orificio de entrada de la pistola

Una manguera de 25 pies con D.I. de 1/4" causa una caída de presión de 26 PSI entre el suministro de aire y la pistola.

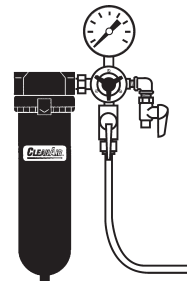


### Un separador de agua y aceite es importante.

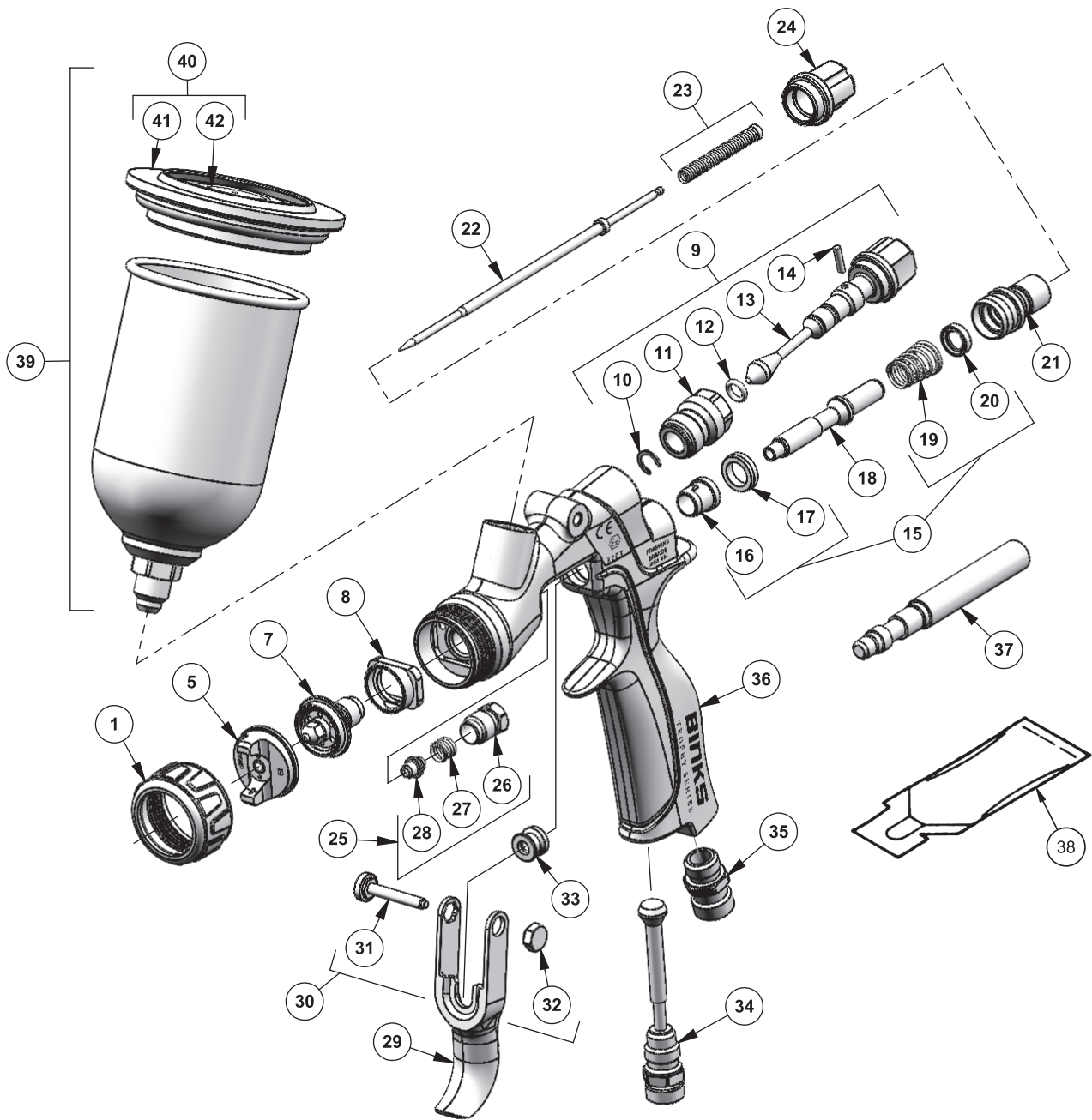
Lograr un acabado de rociado fino sin el uso de un buen extractor de aceite-agua es prácticamente imposible.

Un regulador/extractor permite lograr un doble propósito. Elimina la formación de burbujas y las manchas manteniendo el aire libre de aceite y agua y permitiendo un control preciso de la presión de aire en la pistola.

Use extractores y reguladores de agua y aceite DeVilbiss. Consulte la disponibilidad de modelos con el distribuidor de su localidad.



PISTOLA PULVERIZADORA ALIMENTADA POR GRAVEDAD SERIE "TROPHY" DE BINKS



GUÍA DE SELECCIÓN PARA LAS PISTOLAS PULVERIZADORAS PARA RETOQUES ALIMENTADAS POR GRAVEDAD SERIE "TROPHY" DE BINKS

| TIPO DE FLUIDO QUE VA A SER ATOMIZADO  | NÚM. DE PIEZA DEL CONJUNTO COMPLETO DE LA PISTOLA | BOQUILLA DE FLUIDO Y CUBIERTA DE AIRE | TECNOLOGÍA DE ATOMIZACIÓN |
|--|---|---------------------------------------|---------------------------|
| <b>LIVIANO/MEDIANO</b><br>15 - 20 segundos, Zahn 2<br>Barnices, lacas, lacas diluidas, materiales para repintado automotriz              | 1466-10LV-A1S                                     | 1.0 mm X A1                           | REDONDEADA                |
|  | 1466-10LV-B1S                                     | 1.0 mm X B1                           | LVMP                      |
|  | 1466-10HV-C1S                                     | 1.0 mm X C1                           | HVLP                      |
| <b>MEDIANO</b><br>20 - 30 segundos, Zahn 2<br>Recubrimientos industriales de uso general, esmaltes, epoxis, cerámica de granulación fina | 1466-12LV-B1S                                     | 1.2 mm X B1                           | LVMP                      |
|  | 1466-12HV-C1S                                     | 1.2 mm X C1                           | HVLP                      |

TABLA 1: LISTA DE PIEZAS DE LA PISTOLA PULVERIZADORA PARA RETOQUES ALIMENTADA POR GRAVEDAD SERIE "TROPHY" DE BINKS

| ART. NO. | NÚM. DE PIEZA             | DESCRIPCIÓN   | CANT. | ART. NO. | NÚM. DE PIEZA | DESCRIPCIÓN   | CANT. |
|----------|---------------------------|---|-------|----------|---------------|---|-------|
| 1        | 54-6211                   | CONJUNTO DEL ANILLO DE RETENCIÓN DE LA CUBIERTA DE AIRE | 1     | 23       | 54-6223-K     | ☐ CONJUNTO DE MUELLE/ALMOHADILLA                    | 1     |
| 5        | VER TABLAS A CONTINUACIÓN | CUBIERTA DE AIRE  | 1     | 24       | 54-6111       | PERILLA – AJUSTE DE LA AGUJA                        | 1     |
| 7        | VER TABLAS A CONTINUACIÓN | BOQUILLA DE FLUIDO                                      | 1     | 25       | 54-6130-K     | ☐ KIT DE LA EMPAQUETADURA DE LA AGUJA               | 1     |
| 8        | 54-6215-K5                | DEFLECTOR/SEPARADOR (KIT DE 5)                          | 1     | 26       | -----         | ■ TUERCA – EMPAQUETADURA                            | 1     |
| 9        | 54-6216                   | CONJUNTO DE VÁLVULA DEL PUERTO LATERAL                  | 1     | 27       | -----         | ■ MUELLE PARA EMPAQUETADURA                         | 1     |
| 10       | -----                     | +<br>Δ SUJETADOR DE RETENCIÓN                           | 1     | 28       | -----         | ■<br>▼ EMPAQUE DE LA AGUJA                          | 1     |
| 11       | -----                     | + MANGUITO DEL CUERPO                                   | 1     | 29       | 54-6218       | DISPARADOR  | 1     |
| 12       | -----                     | +<br>Δ JUNTA TÓRICA                                     | 1     | 30       | 54-6228-K     | KIT DE LA TUERCA DE ROSCA DEL DISPARADOR            | 1     |
| 13       | -----                     | + VÁSTAGO DEL PUERTO LATERAL                            | 1     | 31       | -----         | ○ TORNILLO DEL DISPARADOR                           | 1     |
| 14       | -----                     | +<br>Δ CLAVIJA  | 1     | 32       | -----         | ○ TUERCA DEL DISPARADOR                             | 1     |
| 15       | 54-6131-K                 | ☐ KIT DE SERVICIO DE LA VÁLVULA DE AIRE                 | 1     | 33       | 54-3513       | HUSILLO DE LA CUBIERTA                              | 1     |
| 16       | -----                     | • SELLO DELANTERO – VÁLVULA DE AIRE                     | 1     | 34       | JJ-42         | CONJUNTO DE LA VÁLVULA DE AJUSTE DE AIRE            | 1     |
| 17       | -----                     | • SELLO DELANTERO DE LA VÁLVULA DE AIRE                 | 1     | 35       | JJ-30         | ACCESORIO – ORIFICIO DE ENTRADA DEL AIRE            | 1     |
| 18       | 54-6220                   | ☐ HUSILLO DE LA VÁLVULA DE AIRE                         | 1     | 36       | -----         | CUERPO DE LA PISTOLA                                | 1     |
| 19       | -----                     | • MUELLE DE LA VÁLVULA DE AIRE                          | 1     | 37       | -----         | HERRAMIENTA – INSERCIÓN DEL SELLO                   | 1     |
| 20       | -----                     | • SELLO TRASERO – VÁLVULA DE AIRE                       | 1     | 38       | -----         | GUNNER'S MATE (TUBO DE 3 CC)                        | 1     |
| 21       | SN-66                     | ALOJAMIENTO   |       | 39       | 54-4458       | CONJUNTO DE CUBETA ALIMENTADA POR GRAVEDAD DE 4 OZ. | 1     |
| 22       | 47-6851                   | AGUJA – ACERO INOXIDABLE (ESTÁNDAR)                     | 1     | 40       | 54-4459       | * CONJUNTO DE LA TAPA                               | 1     |
|          | 47-6852                   | AGUJA – PUNTA PLÁSTICA                                  | 1     | 41       | -----         | TAPA DE LA CUBETA                                   | 1     |
|          |                           |   |       | 42       | -----         | TAPA DE LA CUBETA                                   | 1     |

- + LAS PIEZAS ESTÁN INCLUIDAS EN 54-6216
- ▼ TAMBIÉN DISPONIBLE EN KIT DE 3: SN-2-K3
- LAS PIEZAS ESTÁN INCLUIDAS EN 54-6130-K
- \* DISPONIBLE EN EL KIT 54-4539 (JUEGO DE 3)
- LAS PIEZAS ESTÁN INCLUIDAS EN 54-6131-K
- ☐ LAS PIEZAS ESTÁN INCLUIDAS EN 54-6136
- LAS PIEZAS ESTÁN INCLUIDAS EN 54-6228-K
- Δ GTI-428-K5 KIT DE REPARACIÓN DEL PUERTO LATERAL

TABLA 2: OPCIONES DE CUBIERTA DE AIRE

| DESIGNACIÓN | TECNOLOGÍA DE ATOMIZACIÓN | NÚM. DE PIEZA |
|-------------|---------------------------|---------------|
| A1          | Atomización redondeada    | 46-10020      |
| B1          | LVMP                      | 46-10010      |
| C1          | HVLP                      | 46-10000      |

KIT DE PRUEBA HVLP PARA CUBIERTA DE AIRE C1: 54-6226

TABLA 3: PRESIONES Y FLUJOS DE AIRE HVLP

| PRESIÓN DE ENTRADA EN LA PISTOLA (PSI) | FLUJO DE AIRE DE LA CUBIERTA DE AIRE (SCFM) | PRESIÓN DE ATOMIZACIÓN DE LA CUBIERTA DE AIRE (PSI) |
|--|---|---|
| 5                                      | 2.5   | 2   |
| 10                                     | 4.0   | 4   |
| 15                                     | 5.1   | 7   |
| 21                                     | 6.4   | 10  |

LA PRESIÓN DE ENTRADA EN LA PISTOLA SE MIDE EN EL ACCESORIO DE ENTRADA DE LA PISTOLA CON LA PISTOLA ACTIVADA.

TABLA 4: PRESIONES Y FLUJOS DE AIRE LVMP

| PRESIÓN DE ENTRADA EN LA PISTOLA (PSI) | FLUJO DE AIRE DE LA CUBIERTA DE AIRE (SCFM) |
|--|---|
| 15                                     | 4.7   |
| 20                                     | 5.8   |
| 25                                     | 6.9   |
| 30                                     | 7.8   |

TABLA 5: OPCIONES DE BOQUILLAS DE FLUIDO DE ACERO INOXIDABLE ENDURECIDO

| MATERIAL  | NÚM. DE PIEZA / ORIFICIO  |
|---|---------------------------|
| <b>FLUJO MUY LIVIANO / REDUCIDO</b>   | 45-12080<br>0.8mm (.030") |
| <b>LIVIANO/MEDIANO</b><br>15 - 20 segundos, Zahn 2<br>Barnices, lacas, lacas diluidas, materiales para repintado automotriz               | 45-12100<br>1.0mm (.040") |
| <b>MEDIANO</b><br>20 - 30 segundos, Zahn 2<br>Recubrimientos industriales de uso general, esmaltes, epoxis, cerámica de granulación fina  | 45-12120<br>1.2mm (.047") |
| <b>ESPESO</b><br>Mayor que 30 segundos, Zahn 2<br>Recubrimientos con bajo nivel de emisiones VOC, adhesivos, cerámica de granulación fina | 45-12140<br>1.4mm (.055") |

## INSTRUCCIONES DE INSTALACIÓN

Para lograr la máxima eficiencia de transferencia, no utilice más presión que la necesaria para atomizar el material que está siendo aplicado.

### NOTA

Al usar HVLP no sobrepase las presiones de entrada indicadas en la página 5.

1. Conecte la pistola a un suministro de aire limpio, libre de humedad y aceite usando una manguera conductiva que tenga por lo menos un D.I. de 5/16".

### NOTA

Dependiendo de la longitud de la manguera, podría ser necesaria una manguera con mayor D.I. Instale un calibrador neumático en el mango de la pistola. Ver las presiones de operación en la página 5. No utilice más presión que la necesaria para atomizar el material que está siendo aplicado. El exceso de presión creará una sobrepulverización adicional y reducirá la eficiencia de la transferencia.

### NOTA

Si se necesitan acopladores de conexión rápida, use sólo acopladores de conexión rápida de flujo alto aprobados para uso con modelos HVLP. Otros tipos no harán fluir suficiente aire para la operación correcta de la pistola.

### NOTA

Si se usa una válvula de ajuste de aire en la entrada de la pistola, use la válvula de ajuste HAV-501.

### NOTA

Antes de usar la pistola pulverizadora, lávela con solvente para asegurar que los conductos de fluido estén limpios.

## OPERACIÓN

### MODELOS A GRAVEDAD

1. Mezcle el material de recubrimiento según las instrucciones del fabricante y filtre el material.
2. Llene la cubeta hasta no más de ¾ de pulgada desde la parte superior de la cubeta. **NO LLENE EN EXCESO.**
3. Fíjela a la tapa de la cubeta.
4. Gire la perilla de ajuste de fluido (24) en sentido horario para impedir el movimiento de la aguja de fluido.
5. Gire el control del puerto lateral (9) en sentido antihorario hasta que esté totalmente abierto.
6. Ajuste la presión de aire de entrada si fuese necesario.
7. Haga girar la perilla de ajuste de fluido en sentido antihorario hasta que se pueda ver la primera rosca.
8. Prueba de atomizado. Si el acabado está muy seco, reduzca el flujo de aire reduciendo la presión de entrada de aire.

9. Si el acabado es muy húmedo, reduzca el flujo de fluido girando la perilla de ajuste de fluido (24) en sentido horario. Si la atomización es muy gruesa, aumente la presión de entrada. Si es muy fina, reduzca la presión de entrada.
10. Se puede reducir el tamaño del patrón de atomizado girando el control del puerto lateral (9) en sentido horario.
11. Sostenga la pistola perpendicularmente a la superficie que está siendo atomizada. Arquear o inclinar la pistola puede producir un recubrimiento disparejo.
12. La distancia de rociado recomendada es de 8 pulgadas.
13. Rocíe los bordes primero. Superponga cada recorrido de atomizado al menos un 75%. Mueva la pistola a velocidad constante.
14. Interrumpa siempre el suministro de aire y reduzca la presión cuando la pistola no esté en uso.

## MANTENIMIENTO PREVENTIVO Y LIMPIEZA

Para limpiar la cubierta de aire y la boquilla de fluido, cepille el exterior con un cepillo de cerdas duras. Si fuese necesario limpie los orificios de la cubierta, use una paja de escoba o un mondadientes si fuese posible. Si se usa alambre o un instrumento duro, se debe tener mucho cuidado para evitar rayar o formar rebabas en los bordes de los orificios lo que distorsionaría los patrones de pulverización.

Para limpiar los conductos de fluido, elimine el material excedente de la pistola y limpie con solución para lavar pistolas. Limpie el exterior de la pistola con un paño humedecido. Nunca sumerja completamente la pistola en ningún solvente o solución limpiadora porque esto es perjudicial para los lubricantes y la vida útil de la pistola pulverizadora.

### NOTA

Al reemplazar la boquilla de fluido (7) o la aguja de fluido (22), reemplace ambas al mismo tiempo. El uso de partes gastadas puede ocasionar la filtración de fluido. Vea la página 4. Además, reemplace la empaquetadura de la aguja en este momento. Aplique torsión de 170–180 pulg-lbs a la boquilla de fluido. No los apriete demasiado.

### ⚠ PRECAUCIÓN

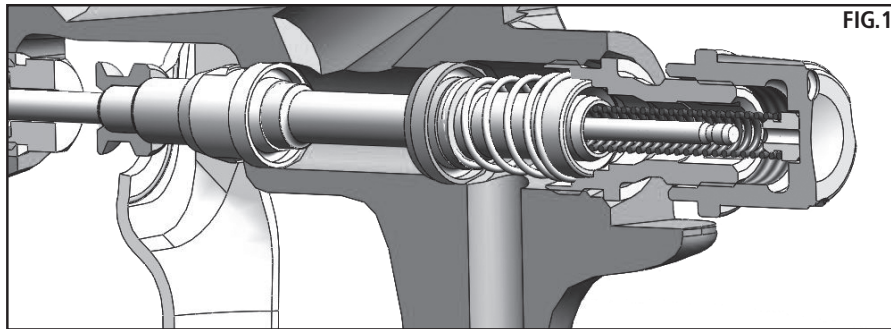
Para evitar dañar la boquilla de fluido (7) o la aguja de fluido (22), asegúrese de 1) tirar del disparador y mantenerlo activado mientras aprieta o afloja la boquilla de fluido, o 2) quitar la perilla de ajuste de fluido (24) para reducir la presión del muelle contra el collar de la aguja.

**CUBETA DEL GRAVEDAD.** Vacíe el material sobrante y limpie la cubeta. Asegúrese de que el orificio de ventilación en la tapa no esté bloqueado.

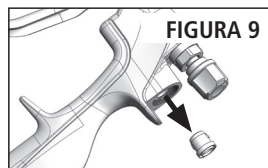
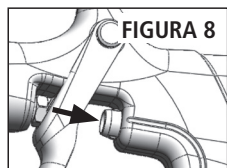
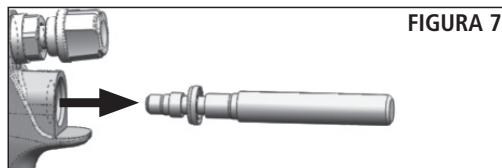
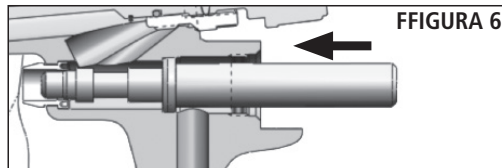
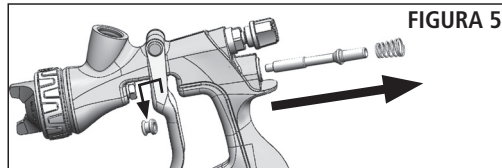
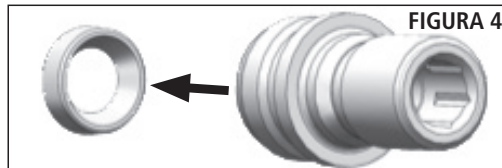
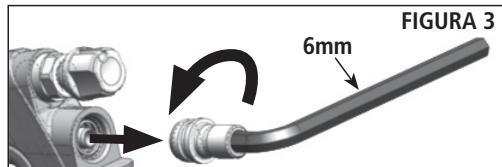
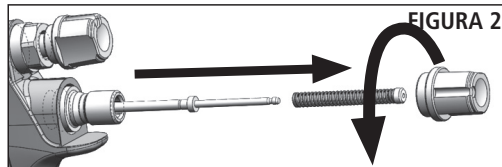


# PROCEDIMIENTOS DE REMOCIÓN E INSTALACIÓN

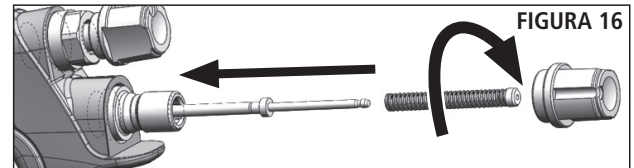
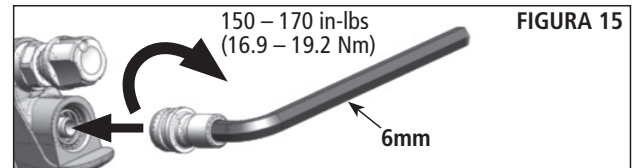
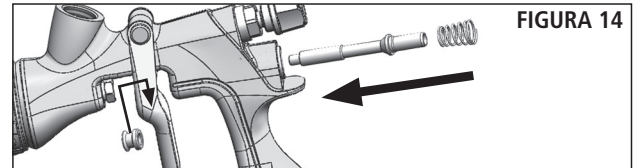
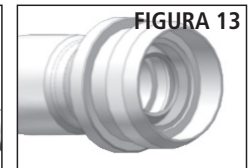
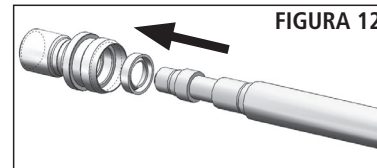
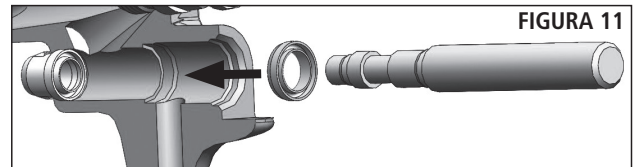
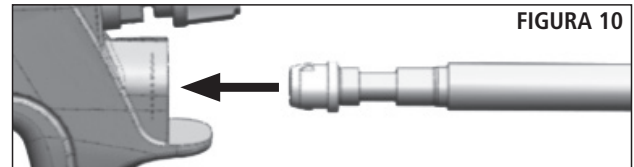
## DESENSAMBLAJE Y ENSAMBLAJE DE LA AGUJA Y VÁLVULA



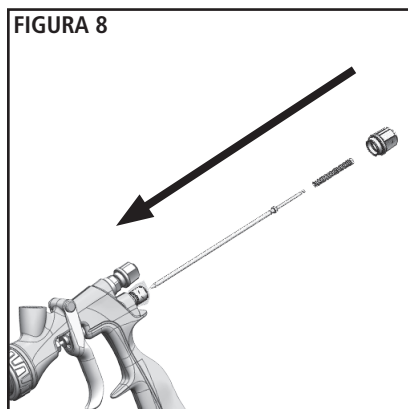
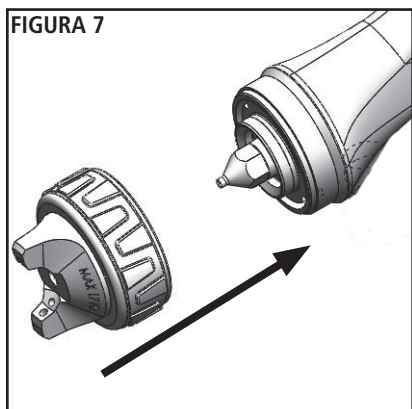
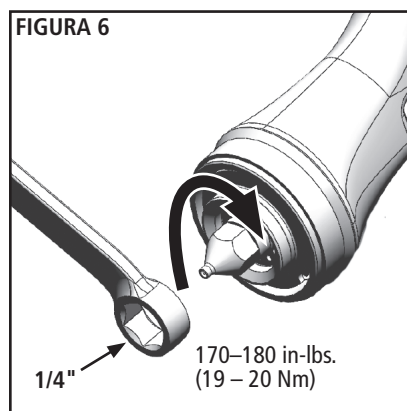
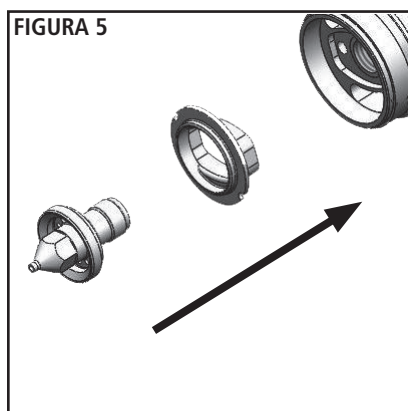
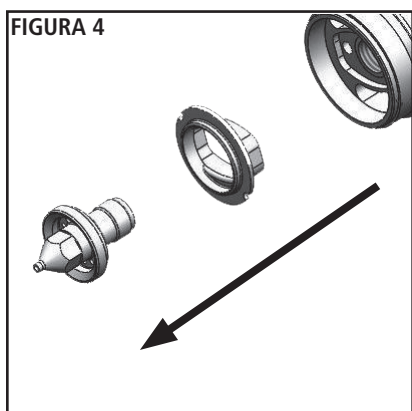
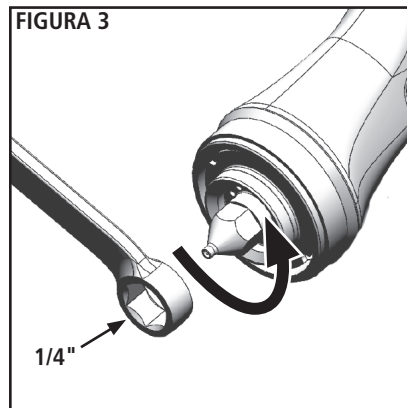
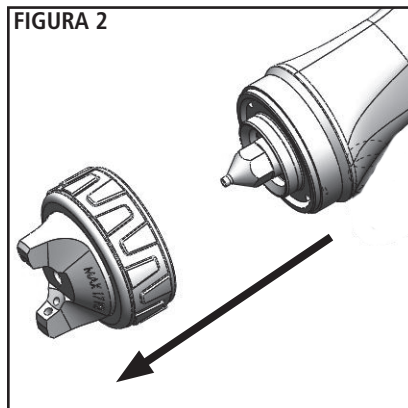
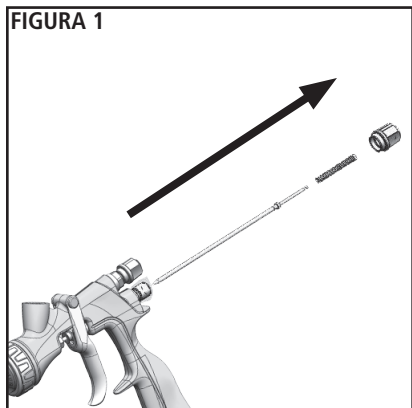
### DESENSAMBLAJE



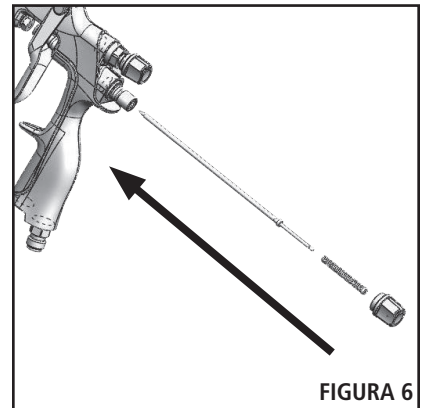
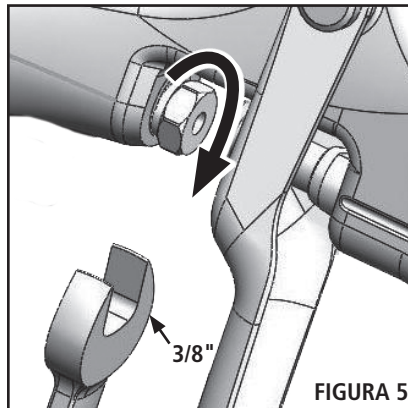
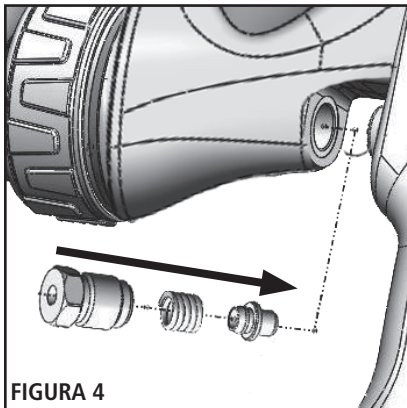
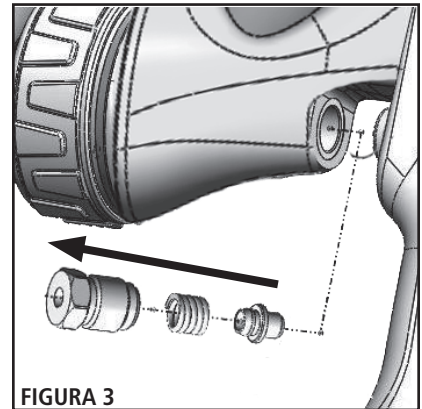
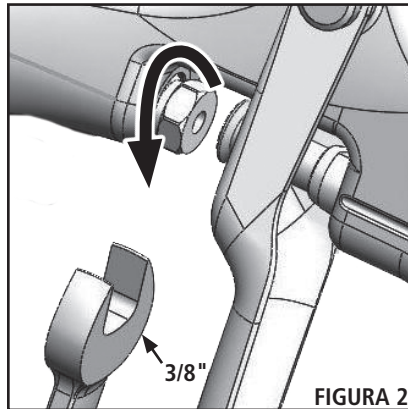
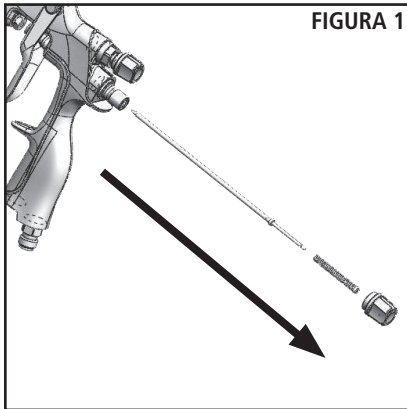
### ENSAMBLAJE



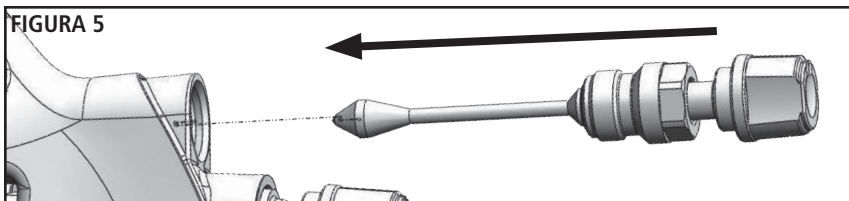
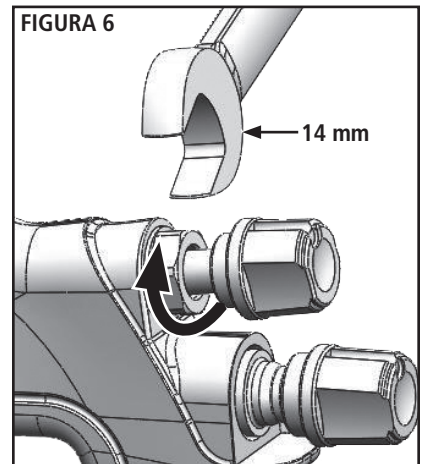
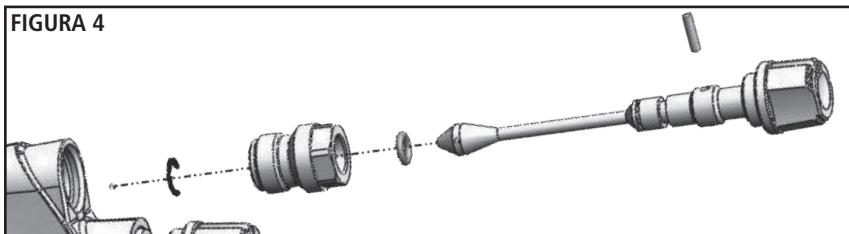
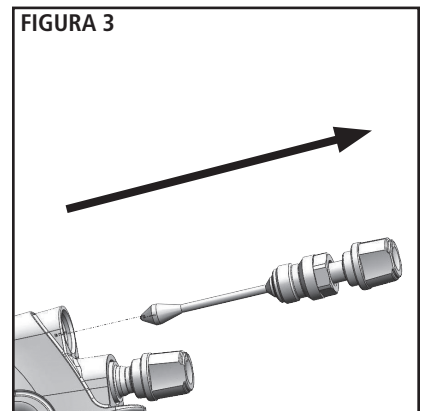
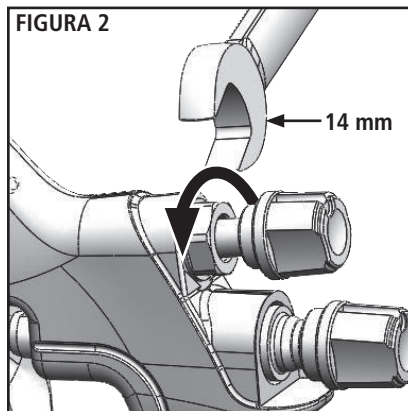
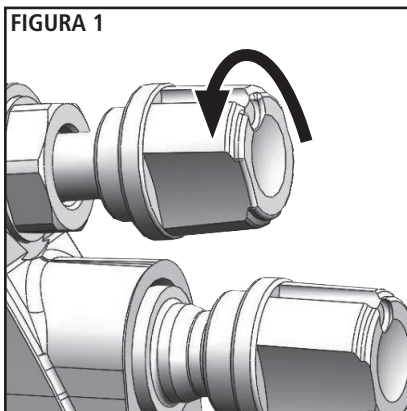
MANTENIMIENTO – REMOCIÓN E INSTALACIÓN DE LA BOQUILLA DE FLUIDO Y EL DEFLECTOR








**MANTENIMIENTO – REMOCIÓN E INSTALACIÓN DE LA EMPAQUETADURA DE LA AGUJA**



**MANTENIMIENTO – REMOCIÓN E INSTALACIÓN DEL PUERTO LATERAL**



## LOCALIZACIÓN Y REPARACIÓN DE AVERÍAS

| CONDICIÓN  | CAUSA   | CORRECCIÓN   |
|--|---|--|
| <b>Patrón recargado en la parte superior o inferior</b><br>   | Orificios de la horquilla obstruidos.<br>Obstrucción en la parte superior o inferior de la punta de fluido.<br>Cubierta y/o asiento de la punta sucios.   | Limpiar. Escariar con punta no metálica.<br>Limpiar.<br>Limpiar.   |
| <b>Patrón recargado hacia la derecha o hacia la izquierda</b><br>   | Orificios obstruidos en el lado izquierdo o derecho de la horquilla.<br>Suciedad en el lado izquierdo o derecho de la punta de fluido.  | Limpiar. Escariar con punta no metálica.<br>Limpiar.   |
| Cómo corregir patrones recargados en la parte superior, inferior, hacia la derecha y hacia la izquierda: <ol style="list-style-type: none"> <li>Determinar si la obstrucción está en la cubierta de aire o en la punta de fluido. Hacer esto realizando una prueba de patrón de atomización. Luego, hacer girar la cubierta una media vuelta y atomizar otro patrón. Si se invierte el defecto, la obstrucción está en la cubierta de aire. Limpiar la cubierta de aire de la manera indicada anteriormente.</li> <li>Si el defecto no se invierte, la obstrucción está en la punta de fluido. Revisar si hay una pequeña rebaba en el borde de la punta de fluido. Quitarla con papel de lija #600 mojado o seco.</li> <li>Verificar si hay pintura seca dentro del orificio; eliminarla lavando con solvente.</li> </ol> |   |  |
| <b>Patrón recargado en el centro</b><br>  | Flujo de fluido demasiado alto para el aire de atomización.<br>El flujo del material sobrepasa la capacidad de la cubierta de aire.<br>Válvula de ajuste del dispersador fijada demasiado baja.<br>Presión de atomización demasiado baja.<br>Material demasiado espeso. | Equilibrar la presión del aire y del flujo de fluido. Aumentar el ancho del patrón de atomización con la válvula de ajuste del dispersador.<br>Diluir o reducir el flujo de fluido.<br>Ajustar.<br>Aumentar la presión.<br>Diluir hasta lograr la consistencia correcta. |
| <b>Patrón de atomización dividido</b><br>   | Presión demasiado alta del aire de atomización.<br>Muy poco flujo de fluido.<br>Ajuste de la válvula dispersora fijado demasiado alto.  | Reducir la presión en el transformador o pistola.<br>Aumentar el flujo de fluido (aumenta la velocidad de manipulación de la pistola).<br>Ajustar.   |
| <b>Atomización entrecortada u ondulada</b><br>  | *Punta de fluido/asiento flojo o dañado<br>Nivel del material demasiado bajo.<br>Recipiente demasiado inclinado.<br>Obstrucción en el conducto de fluido.<br>Tuerca de presión de la aguja de fluido seca o floja.  | Apretarla o reemplazarla.<br>Rellenar.<br>Sostener más verticalmente.<br>Purgar a contrapresión con solvente.<br>Lubricar o apretar.   |
| <b>Imposibilidad de lograr atomización redondeada</b>  | Tornillo de ajuste del dispersador no asentado debidamente.<br>Aro de retención de la cubierta de aire flojo.   | Limpiar o reemplazar.<br>Apretar.  |
| <b>No atomiza</b>  | No hay presión de aire en la pistola.<br>El tornillo de ajuste de la aguja no está suficientemente abierto.<br>El fluido es muy pesado para la alimentación por gravedad.   | Revisar el suministro de aire y las líneas de aire, limpiar soplando los conductos de aire de la pistola.<br>Abrir el tornillo de ajuste de la aguja de fluido.<br>Diluir el material y/o usar una punta más grande.   |
| <b>Burbujas de pintura en la cubeta</b>  | La punta de fluido no está apretada.  | Apretar la punta.  |

\*El problema más común.

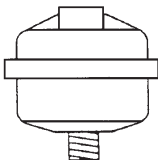


## LOCALIZACIÓN Y REPARACIÓN DE AVERÍAS

| CONDICIÓN  | CAUSA  | CORRECCIÓN  |
|--|--|---|
| <b>El fluido se filtra o gotea desde la tapa de la cubeta</b>              | Tapa de la cubeta floja.<br>Roscas sucias en la cubeta o la tapa.<br>Cubeta o tapa rajada.   | Apretar la tapa.<br>Limpiar.<br>Reemplazar la cubeta y la tapa.   |
| <b>Patrón de atomización infraalimentado</b>                               | Flujo inadecuado del material.<br><br>Presión de aire de atomización baja.   | Hacer retroceder el tornillo de ajuste de fluido hasta la primera rosca o usar una punta más grande.<br>Aumentar la presión de aire y volver a equilibrar la pistola.   |
| <b>Sobreatomización excesiva</b>   | Demasiada presión de aire de atomización.<br>Pistola muy alejada de la superficie de trabajo.<br>Recorrido indebido (arqueado, movimiento muy rápido de la pistola).   | Reducir la presión.<br><br>Ajustar a la distancia debida.<br>Mover a un ritmo moderado, paralelo a la superficie de trabajo.  |
| <b>Nebulización excesiva</b>   | Demasiado diluyente o diluyente de secado muy rápido.<br>Demasiada atomización (presión de aire)   | Volver a mezclar adecuadamente.<br><br>Reducir la presión de aire.  |
| <b>Atomización seca</b>  | Presión de aire muy alta.<br>Punta de la pistola muy alejada de la superficie de trabajo.<br>Movimiento demasiado rápido de la pistola.<br>Pistola desajustada.  | Reducir la presión de aire.<br>Ajustar a la distancia debida.<br><br>Mover más despacio.<br><br>Ajustar.  |
| <b>Filtración de fluido desde la tuerca de presión</b>                     | Tuerca de presión floja.<br>Empaquetadura gastada o seca.  | Apretar, no trabar la aguja.<br>Reemplazar o lubricar.  |
| <b>Filtración o goteo de fluido desde la parte delantera de la pistola</b> | Tuerca de presión demasiado apretada.<br>Empaquetadura seca.<br>Punta o aguja de fluido desgastada o dañada.<br>Materias foráneas en la punta.<br>Muelle de la aguja de fluido roto.<br>Aguja o punta de tamaño equivocado.  | Ajustar.<br>Lubricar.<br>Reemplazar la punta y la aguja.<br><br>Limpiar.<br>Reemplazar.<br>Reemplazar.  |
| <b>Fluido se filtra o gotea desde la parte inferior de la cubeta</b>       | Cubeta floja en la pistola.<br>Empaque de la cubeta gastado o faltante debajo de la cubeta.<br>Roscas sucias en la cubeta.   | Apretar.<br>Reemplazar el empaque de la cubeta.<br><br>Limpiar.   |
| <b>Corrimiento de la pintura</b>   | Demasiado flujo de material.<br>Material demasiado diluido.<br>Pistola inclinada en ángulo o con movimiento muy lento.   | Ajustar la pistola o reducir el flujo de fluido.<br>Mezclar debidamente o aplicar capas livianas.<br>Sostener la pistola en ángulo recto respecto de la superficie de trabajo y adaptarse a la técnica debida de atomizado.   |
| <b>Acabado fino, arenoso-rugoso que se seca antes de fluir</b>             | Pistola demasiado alejada de la superficie.<br>Demasiada presión de aire.<br><br>Se está usando diluyente inadecuado.  | Revisar la distancia. Suele ser alrededor de 8".<br>Reducir la presión de aire y revisar el patrón de atomización.<br>Seguir las instrucciones de mezclado del fabricante de la pintura.  |
| <b>Acabado grueso, no uniforme, tipo "cáscara de naranja"</b>              | Pistola demasiado cerca de la superficie.<br>Demasiado material fue atomizado con acabado espeso.<br>Presión del aire demasiado baja.<br><br>Se está usando diluyente inadecuado.<br><br>Material no mezclado debidamente.<br><br>Superficie áspera, grasosa, sucia. | Revisar la distancia. Suele ser alrededor de 8".<br>Seguir las instrucciones de mezclado del fabricante de la pintura.<br>Reducir la presión de aire o reducir el flujo de fluido.<br>Seguir las instrucciones de mezclado del fabricante de la pintura.<br>Seguir las instrucciones de mezclado del fabricante de la pintura.<br>Limpiar y preparar debidamente. |

ACCESORIOS

**HAF-507-K12**  
**Kit de 12 filtros de aire en línea Whirlwind™**



Elimina agua, aceite y restos de la línea de aire.

**192212 Kit de limpieza de pistola atomizadora profesional**



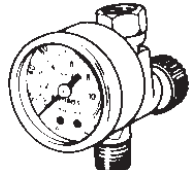
Contiene seis herramientas de precisión diseñadas para limpiar eficazmente todas las pistolas atomizadoras de DeVilbiss, Binks, Finishline y de otras marcas.

**6-429**  
**Lubricante de pistola Gunners Mate de Binks (Veinte botellas de 2 oz)**




Compatible con todos los materiales de pintura; no contiene silicio ni destilados de petróleo para contaminar la pintura. SDS (Hoja de datos de seguridad) disponible previa solicitud.

**HAV-500 O HAV-501**  
**Válvula de ajuste (HAV-501 MOSTRADA)**



La HAV-500 no tiene manómetro. Se usa para controlar el uso de aire en la pistola.

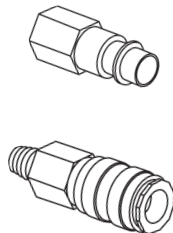
**Millennium 3000**  
**Respirador para pulverizador de pintura con cartucho doble**



Certificado por el NIOSH para protección respiratoria en atmósferas que no pongan en peligro inminente la vida.

|         |         |        |
|---------|---------|--------|
| Pequeño | Mediano | Grande |
| 40-141  | 40-128  | 40-143 |

**Acopladores de conexión rápida para pistolas de HVLP (aire)**  
 Tipo de flujo alto



HC-4419 Vástago 1/4" NPT(F) Extremo de la pistola

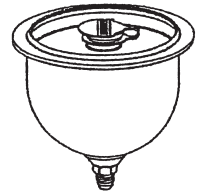
HC-4719 Acoplador 1/4" NPT(M) Extremo de la pistola

**29-3100 Toallas Scrubs® para limpiarse las manos**



Scrubs® son toallas de limpieza de manos prehumedecidas para pintores, operarios de talleres y mecánicos, para usarlas donde esté sin necesidad de agua.

**Cubetas de gravedad opcionales**



**81-381**  
**Cubeta de aluminio de 8 oz.**  
 (ilustrada)

**SRI-510**  
**Cubeta de acetal de 4 oz.**

**Accesorios DeKups® para cubetas de alimentación a gravedad**

|  |   |   |                                 |                                 |                          |
|--|---|---|---------------------------------|---------------------------------|--------------------------|
| <b>DPC-60-K10</b><br>9oz Universal x10 | <b>DPC-59-K10</b><br>24oz Universal x10 | <b>DPC-61-K10</b><br>34oz Universal x10 | <b>DPC-42-K24</b><br>125 µm x24 | <b>DPC-66-K24</b><br>200 µm x24 | <b>DPC-6-K10</b><br>x10  |
| <b>DPC-607</b><br>x2                   | <b>DPC-606</b><br>x2                    | <b>DPC-608</b><br>x2                    | <b>DPC-65-K24</b><br>125 µm x24 | <b>DPC-67-K24</b><br>200 µm x24 | <b>DPC-22-K24</b><br>x24 |
| <b>DPC-602</b><br>x32                  | <b>DPC-601</b><br>x32                   | <b>DPC-600</b><br>x32                   | <b>DPC-602</b><br>9 FL 265 mL   | <b>DPC-601</b><br>24 FL 710 mL  | <b>DPC-44</b>            |
| <b>CASCOS</b>                          |   |   | <b>REVESTIMIENTOS</b>           |                                 |                          |
|  |   |   |                                 |                                 | <b>DPC-23</b>            |



---

NOTAS

## POLÍTICA DE GARANTÍAS

Los productos Binks están cubiertos por la garantía limitada de materiales y mano de obra por un año de Carlisle Fluid Technologies. El uso de cualquier pieza o accesorio de una fuente que no sea Carlisle Fluid Technologies, anulará todas las garantías. Para obtener información específica sobre la garantía, favor ponerse en contacto con el local de Carlisle Fluid Technologies más cercano a usted entre los listados a continuación.

Carlisle Fluid Technologies se reserva el derecho de modificar las especificaciones del equipo sin previo aviso. DeVilbiss®, Ransburg®, MS®, BGK®, y Binks® son marcas registradas de Carlisle Fluid Technologies, Inc. ©2016 Carlisle Fluid Technologies, Inc. Reservados todos los derechos.



Binks es parte de Carlisle Fluid Technologies, un líder global en tecnologías de acabados innovadores. Para asistencia técnica o para localizar un distribuidor autorizado, póngase en contacto con uno de nuestros centros internacionales de ventas y apoyo al cliente listados.

### EE.UU./Canadá

info@carlisleleft.com  
Teléfono: 1-888-992-4657  
Fax: 1-888-246-5732

### México

ventas@carlisleleft.com.mx  
Teléfono: 011 52 55 5321 2300  
Fax: 011 52 55 5310 4790

### Brasil

vendas@carlisleleft.com.br  
Teléfono: +55 11 5641 2776  
Fax: 55 11 5641 1256

### Reino Unido

info@carlisleleft.eu  
Teléfono: +44 (0)1202 571 111  
Fax: +44 (0)1202 573 488

### Francia

info@carlisleleft.eu  
Teléfono: +33(0)475 75 27 00  
Fax: +33(0)475 75 27 59

### Alemania

info@carlisleleft.eu  
Teléfono: +49 (0) 6074 403 1  
Fax: +49 (0) 6074 403 281

### China

mkt@carlisleleft.com.cn  
Teléfono: +8621-3373 0108  
Fax: +8621-3373 0308

### Japón

overseas-sales@carlisleleft.co.jp  
Teléfono: 081 45 785 6421  
Fax: 081 45 785 6517

### Australia

sales@carlisleleft.com.au  
Teléfono: +61 (0) 2 8525 7555  
Fax: +61 (0) 2 8525 7575

Para obtener la última información sobre nuestros productos, visite [www.carlisleleft.com](http://www.carlisleleft.com).



# GAMME "TROPHY" DE BINKS PISTOLETS PULVÉRISATEURS

## HVLP ET LVMP AVEC ALIMENTATION PAR GRAVITÉ POUR LES RETOUCHES



(1466-XXXX-XXX)

CE  II 2 G X

Le pistolet pulvérisateur à gravité de la gamme Trophy de Binks est un pistolet haut de gamme destiné aux pulvérisations par gravité pour les retouches et les applications légères, et il établit une nouvelle référence en matière de durabilité, d'ergonomie et d'atomisation. Ce modèle ergonomique léger offre un confort et un contrôle sans égal. La dernière technologie de pointe en matière d'atomisation a été intégrée afin d'obtenir des finitions précises, régulières, permettant d'effectuer des pulvérisations pour toute une gamme d'applications industrielles de revêtement.

Les pistolets pulvérisateurs à gravité de la gamme Trophy de Binks sont proposés avec deux technologies d'atomisation différentes: HVLP (haut volume d'air et basse pression de peinture) et LVMP (bas volume d'air et pression moyenne de peinture).



### SPÉCIFICATIONS

Les pistolets pulvérisateur de la gamme Trophy de Binks possèdent une grande efficacité de transfert conforme à la réglementation du "California South Coast Air Quality Management District" pour les pistolets pulvérisateurs à haut volume et basse pression.

|   |                          |
|---|--------------------------|
| Pression d'air maximale                       | 100 psi / 6.9 bar (P-1)  |
| Corps du pistolet                             | Aluminium anodisé        |
| Circuit des fluides                           | Acier inoxydable         |
| Taille de l'entrée de fluide                  | 7/16 – 14(f)             |
| Taille de l'entrée d'air                      | ¼ po NPS / BSP(m)        |
| Poids du pistolet (sans le godet)             | 12 oz. / 348 grammes     |
| Pièces en contact avec les fluides (pistolet) | Acier inoxydable et PTFE |
| Pièces en contact avec les fluides (godet)    | Aluminium et laiton      |

## IMPORTANT ! NE PAS DÉTRUIRE

Il est de la responsabilité du client de veiller à ce que tous les opérateurs et le personnel de service lisent et comprennent le présent manuel. Contactez votre représentant local Binks pour obtenir des exemplaires supplémentaires de ce manuel.

**LIRE TOUTES LES INSTRUCTIONS AVANT D'UTILISER CE PRODUIT BINKS.**

Dans la présente fiche technique, les mots **AVERTISSEMENT**, **ATTENTION** et **REMARQUE** servent à souligner des renseignements importants comme suit :

## ⚠ AVERTISSEMENT

Dangers ou pratiques dangereuses qui peuvent entraîner des blessures graves, la mort ou des dommages matériels considérables.

## ⚠ ATTENTION

Dangers ou pratiques dangereuses qui peuvent entraîner des blessures légères et des dommages matériels.

## REMARQUE

Renseignements importants relatifs à l'installation, le fonctionnement ou l'entretien.

# ⚠ ATTENTION

Lisez les avertissements suivants avant d'utiliser cet équipement.



### LIRE LE MANUEL

Avant d'utiliser le matériel de finition, il est impératif de lire et comprendre toutes les informations relatives à la sécurité, à l'utilisation et à l'entretien disponibles dans le mode d'emploi.



### PORTER DES LUNETTES DE SÉCURITÉ

Ne pas porter de lunettes de sécurité à écrans latéraux peut entraîner des blessures oculaires sérieuses ou la cécité.



### METTRE HORS TENSION, DÉPRESSURISER, DÉBRANCHER ET VERROUILLER TOUTES LES SOURCES D'ALIMENTATION DURANT L'ENTRETIEN

Ne pas mettre hors tension, déconnecter et verrouiller toutes les sources d'alimentation avant d'effectuer l'entretien de l'équipement peut causer des blessures graves ou la mort.



### FORMATION DE L'OPÉRATEUR

Tout le personnel doit être formé avant d'utiliser le matériel de finition.



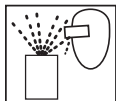
### RISQUE LIÉ À UN UTILISATION ABUSIVE DE L'ÉQUIPEMENT

Une utilisation abusive de l'équipement peut provoquer une détérioration, un dysfonctionnement, ou un déclenchement soudain de l'équipement et entraîner des blessures graves.



### GARDER EN PLACE LES PROTECTION DE L'ÉQUIPEMENT

Ne pas utiliser l'appareil si les sécurités ont été retirées.



### RISQUE DE PROJECTION

Vous pouvez être blessé par l'évacuation de liquides ou de gaz sous pression, ou par la projection de débris.



### DANGER DE PINCEMENT

Les pièces mobiles peuvent écraser et couper. Les points de pincement sont en règle générale toutes les zones où il y a des pièces mobiles.



### INSPECTER L'ÉQUIPEMENT QUOTIDIENNEMENT

Inspecter l'équipement quotidiennement pour rechercher les traces d'usure ou des pièces défectueuses. N'utilisez pas l'appareil si vous êtes incertain de son état.



### NE JAMAIS MODIFIER L'ÉQUIPEMENT

Ne modifiez pas l'équipement, à moins d'obtenir l'autorisation écrite du fabricant.



### TOUJOURS CONNAÎTRE L'EMPLACEMENT ET LE MODE D'EMPLOI DES DISPOSITIFS D'ARRÊT DE L'ÉQUIPEMENT POUR LES CAS D'URGENCE



### PROCÉDURE DE DÉCOMPRESSION

Toujours suivre la procédure de décompression indiquée dans le manuel d'utilisation de l'équipement.



### RISQUE LIÉ AU BRUIT

Vous pouvez être blessé par un bruit fort. Une protection auditive peut être nécessaire lors de l'utilisation de cet équipement.



### CHARGE STATIQUE

Le fluide peut développer une charge statique qui doit être dissipée par le biais du raccordement à la terre de l'équipement, des objets à peindre et de tous les objets conducteurs d'électricité dans la zone d'application. Une mauvaise mise à la terre ou des étincelles peuvent créer une situation dangereuse et provoquer un incendie, une explosion, un choc électrique et d'autres blessures graves.



### RISQUE D'INCENDIE ET D'EXPLOSION

Ne jamais utiliser de 1,1,1-trichloroéthane, de chlorure de méthylène, d'autres solvants hydrocarbures halogénés ou des fluides contenant de tels solvants dans un appareil avec des pièces en aluminium en contact avec le fluide. Une telle utilisation pourrait entraîner une grave réaction chimique, avec un risque d'explosion. Consultez vos fournisseurs de fluides pour vous assurer que les fluides utilisés sont compatibles avec les pièces en aluminium.



### AVERTISSEMENT RELATIF À LA PROPOSITION 65

AVERTISSEMENT : Ce produit contient des produits chimiques reconnus par l'état de Californie pour causer le cancer et des malformations congénitales ou d'autres problèmes reproductifs.

**IL INCOMBE À L'EMPLOYEUR DE FOURNIR CES RENSEIGNEMENTS À L'OPÉRATEUR DE L'APPAREIL.**

**POUR DE PLUS AMPLES INFORMATIONS CONCERNANT LES ÉQUIPEMENTS BINKS ET DEVILBISS, CONSULTEZ LE LIVRET DE SÉCURITÉ DES ÉQUIPEMENT (77-5300).**

## Déclaration de conformité CE

Fabriqué par : Carlisle Fluid Technologies  
320 Philips Ave.  
Toledo, OH 43612

Type/série : Pistolets pulvérisateurs manuels

Modèle : Gamme « Trophy » de Binks

Le matériel auquel ce document se rapporte est conforme aux normes ou autres références normatives :

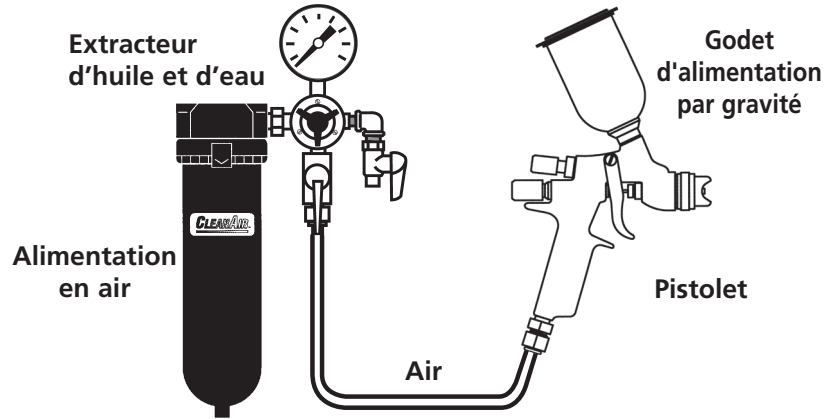
**BS EN ISO 12100:2010 et BS EN 1953:1998 + A1:2009** et se conforme ainsi aux exigences de protection de la Directive 2006/42/CE du Conseil relative à la Directive de sécurité des machines, et ;

**BS EN 13463-1:2009** La Directive 94/9/CE du Conseil relative aux **Équipement et systèmes de protection pour une utilisation dans des atmosphères potentiellement explosives** niveau de protection II 2 G X.

Approuvé par : Marvin Burns Binks Date : 1 août 2013



## TYPES D'INSTALLATION



La pression d'air pour l'atomisation est réglée sur l'extracteur. Le débit du fluide dépend de la position de la valve de réglage de jet sur le pistolet, de la viscosité de la peinture et de la pression de l'air.

### BRANCHEMENT POUR ALIMENTATION PAR GRAVITÉ


Sur les pistolets gravitaires la godet se trouve au-dessus de l'arme. La force de gravité pousse le fluide dans le pistolet.

Avantages: cette méthode offre des changements de couleur rapides et de proximité pour les petits travaux ou de retouche d'applications. Pistolets à gravité sont en mesure d'utiliser la totalité des déchets revêtement de réduction.

### PRESSION D'AIR


La pression de pulvérisation doit être correctement réglée pour permettre une chute de pression d'air entre le régulateur et le pistolet.

**AVEC 60 LB/PO<sup>2</sup> APPLIQUÉE À L'ADMISSION D'AIR**




5/16 po

**RECOMMANDÉ**  
48 Lb/po<sup>2</sup> à l'entrée du pistolet  
25 pieds d'un flexible avec D.I. 5/16 po entraîne une chute de pression de 12 lb/po<sup>2</sup> entre l'alimentation en air et le pistolet. Pour cette raison, Binks recommande l'utilisation du tuyau 5/16 po.



1/4 po

**NON RECOMMANDÉ**  
Seulement 34 Lb/po<sup>2</sup> à l'entrée du pistolet  
25 pieds d'un flexible avec D.I. 1/4 po entraîne une chute de pression de 26 lb/po<sup>2</sup> entre l'alimentation en air et le pistolet.

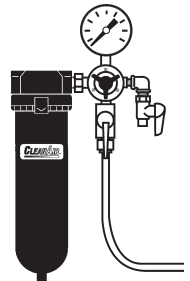


### Un extracteur d'huile et d'eau est important.

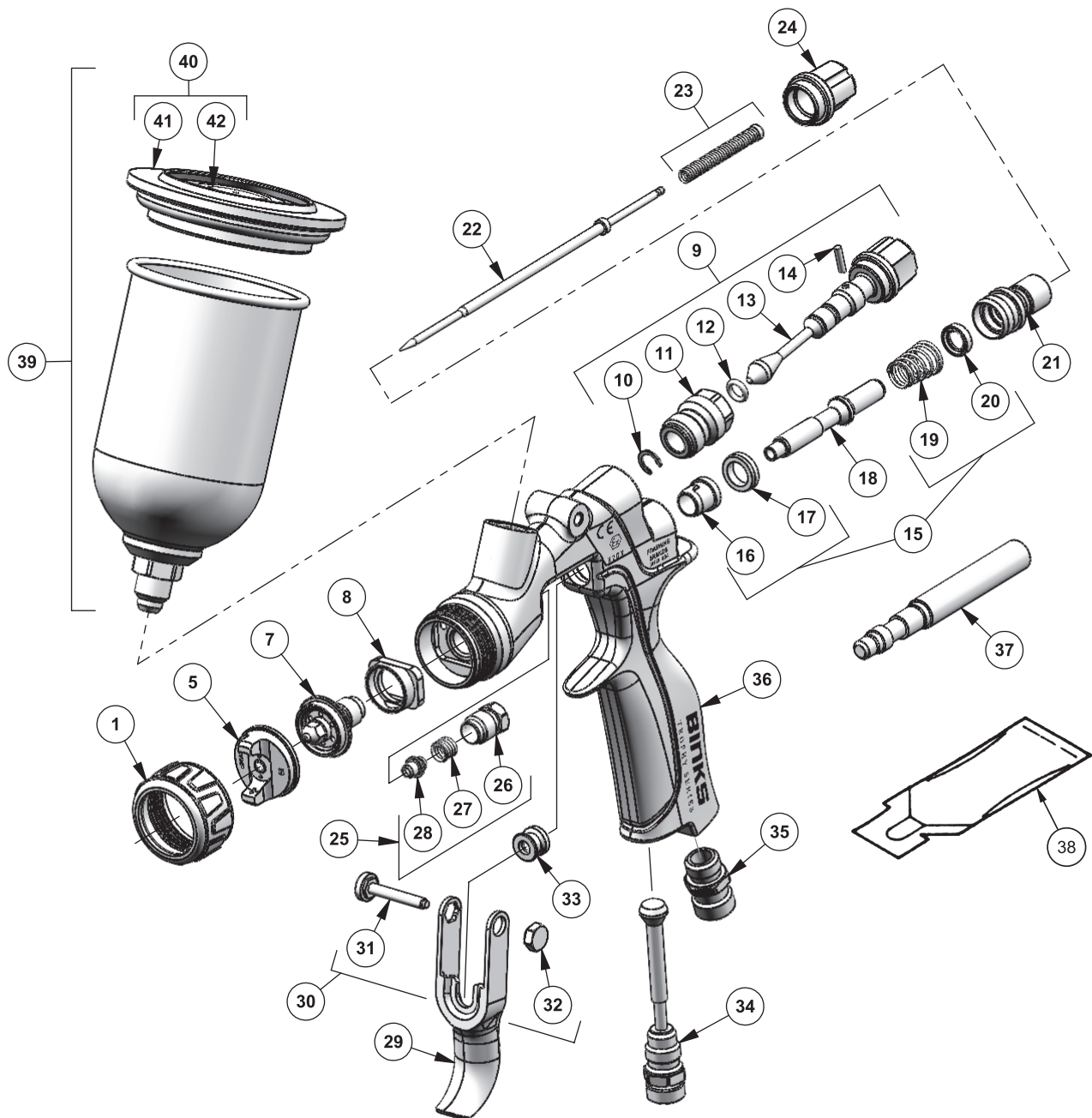
Réaliser une pulvérisation de finition de grande qualité sans l'utilisation d'un bon extracteur d'huile et d'eau est pratiquement impossible.

Le régulateur/extracteur effectue une double fonction. Il élimine la formation de cloques et tacheture en gardant l'air exempt d'huile et d'eau, et il assure un contrôle précis de la pression de l'air depuis le pistolet.

Utilisez les régulateurs et les extracteurs d'huile et d'eau de DeVilbiss. Contacter votre distributeur local pour les modèles.



## PISTOLET PULVÉRISATEUR À GRAVITÉ DE LA GAMME "TROPHY" DE BINKS



### GUIDE DE SÉLECTION POUR LES PISTOLETS PULVÉRISATEURS À GRAVITÉ DE LA GAMME "TROPHY" DE BINKS

| TYPE DE FLUIDE À PULVÉRISER   | NUMÉRO DE LA PIÈCE POUR L'ASSEMBLAGE TOTAL DU PISTOLET | BUSE DE FLUIDE ET CHAPEAU D'AIR | TECHNOLOGIE DE PULVÉRISATION                            |
|---|--|---------------------------------|---|
| <b>LÉGER/MOYEN</b><br>15 à 20 secondes, Zahn 2<br>Teintures, vernis, laques diluées,<br>matériaux de remise en état automobile              | 1466-10LV-A1S  | 1.0 mm X A1                     | EN ROND   |
|   | 1466-10LV-B1S  | 1.0 mm X B1                     | LVMP (bas volume d'air et pression moyenne de peinture) |
|   | 1466-10HV-C1S  | 1.0 mm X C1                     | LVMP (bas volume d'air et pression moyenne de peinture) |
| <b>MOYEN</b><br>20 à 30 secondes, Zahn 2<br>Revêtements industriels courants,<br>peinture-émail, résines d'époxy,<br>céramiques à grain fin | 1466-12LV-B1S  | 1.2 mm X B1                     | LVMP (bas volume d'air et pression moyenne de peinture) |
|   | 1466-12HV-C1S  | 1.2 mm X C1                     | HVLP (haut volume d'air et basse pression de peinture)  |



## TABLEAU N° 1: LISTE DES PIÈCES POUR LE PISTOLET PULVÉRISATEUR À GRAVITÉ POUR LES RETOUCHES DE LA GAMME "TROPHY" DE BINKS

| ARTICLE N° | NUMÉRO DE RÉFÉRENCE DE LA PIÈCE | DESCRIPTION                                     | QTE | ARTICLE N° | NUMÉRO DE RÉFÉRENCE DE LA PIÈCE | DESCRIPTION                                  | QTE |
|------------|---------------------------------|---|-----|------------|---------------------------------|--|-----|
| 1          | 54-6211                         | ASSEMBLAGE DE BAGUE DE RETENUE DU CHAPEAU D'AIR | 1   | 23         | 54-6223-K                       | ASSEMBLAGE RESSORT/TAMPON                    | 1   |
| 5          | VOIR LES TABLEAUX CI-DESSOUS    | CHAPEAU D'AIR                                   | 1   | 24         | 54-6111                         | BOUTON – AJUSTEMENT DE L'AIGUILLE            | 1   |
| 7          | SEE CHARTS BELOW                | BUSE À LIQUIDE                                  | 1   | 25         | 54-6130-K                       | KIT DE JOINT DU POINTEAU                     | 1   |
| 8          | 54-6215-K5                      | SÉPARATEUR/DÉFLECTEUR (GROUPE DE 5)             | 1   | 26         | -----                           | ÉCROU – JOINT                                | 1   |
| 9          | 54-6216                         | ORIFICE LATÉRAL PIÈCES DE SOUPAPE               | 1   | 27         | -----                           | RESSORT POUR LE JOINT                        | 1   |
| 10         | -----                           | ▲<br>ÉTRIER DE RETENUE                          | 1   | 28         | -----                           | ■<br>▼<br>JOINT DU POINTEAU                  | 1   |
| 11         | -----                           | +<br>BAGUE DU CORPS                             | 1   | 29         | 54-6218                         | GÂCHETTE                                     | 1   |
| 12         | -----                           | ▲<br>JOINT TORIQUE                              | 1   | 30         | 54-6228-K                       | KIT VIS-ÉCROU DE GÂCHETTE                    | 1   |
| 13         | -----                           | +<br>TIGE D'ORIFICE LATÉRAL                     | 1   | 31         | -----                           | ○ VIS DE GÂCHETTE                            | 1   |
| 14         | -----                           | ▲<br>BROCHE                                     | 1   | 32         | -----                           | ○ ÉCROU DE GÂCHETTE                          | 1   |
| 15         | 54-6131-K                       | ■ NÉCESSAIRE DE RÉPARATION DE SOUPAPE D'AIR     | 1   | 33         | 54-3513                         | CAPUCHON DE LA TIGE                          | 1   |
| 16         | -----                           | ● JOINT D'ÉTANCHÉITÉ AVANT – SOUPAPE D'AIR      | 1   | 34         | JJ-42                           | ASSEMBLAGE D'AJUSTEMENT D'AIR DE LA SOUPAPE  | 1   |
| 17         | -----                           | ● JOINT D'ÉTANCHÉITÉ AVANT DE SOUPAPE D'AIR     | 1   | 35         | JJ-30                           | RACCORD – ADMISSION D'AIR                    | 1   |
| 18         | 54-6220                         | ■ TIGE DE SOUPAPE                               | 1   | 36         | -----                           | CORPS DU PISTOLET                            | 1   |
| 19         | -----                           | ● RESSORT DE SOUPAPE                            | 1   | 37         | -----                           | OUTIL – INSERTION JOINT D'ÉTANCHÉITÉ         | 1   |
| 20         | -----                           | ● JOINT D'ÉTANCHÉITÉ ARRIÈRE - SOUPAPE D'AIR    | 1   | 38         | -----                           | GUNNER'S MATE (TUBE DE 3 CC)                 | 1   |
| 21         | SN-66                           | BOITIER   |     | 39         | 54-4458                         | ASSEMBLAGE DE GODET À GRAVITÉ DE 4 OZ./113 G | 1   |
| 22         | 47-6851                         | AIGUILLE – ACIER INOXYDABLE (STD.)              | 1   | 40         | 54-4459                         | * ASSEMBLAGE DU COUVERCLE                    | 1   |
|            | 47-6852                         | AIGUILLE – POINTE EN PLASTIQUE                  | 1   | 41         | -----                           | COUVERCLE DU GODET                           | 1   |
|            |                                 |   |     | 42         | -----                           | COUVERCLE DU GODET                           | 1   |

### TABLEAU N° 2: OPTIONS DE CHAPEAU D'AIR

| DÉNOMINATION | TECHNOLOGIE D'ATOMISATION                               | NUMÉRO DE RÉFÉRENCE DE LA PIÈCE |
|--------------|---|---------------------------------|
| A1           | Pulvérisateur en rond                                   | 46-10020                        |
| B1           | LVMP (bas volume d'air et pression moyenne de peinture) | 46-10010                        |
| C1           | HVLP (haut volume d'air et basse pression de peinture)  | 46-10000                        |

KIT D'ANALYSE HVLP POUR CHAPEAU D'AIR: 54-6226

### TABLEAU N° 3: PRESSION ET DÉBIT D'AIR HVLP

| PRESSION D'ADMISSION DU PISTOLET (PSI) | DÉBIT D'AIR DU CHAPEAU D'AIR (SCFM) | PRESSION D'ATOMISATION DU CHAPEAU D'AIR (PSI) |
|--|-------------------------------------|---|
| 5                                      | 2.5                                 | 2   |
| 10                                     | 4.0                                 | 4   |
| 15                                     | 5.1                                 | 7   |
| 21                                     | 6.4                                 | 10  |

LA PRESSION D'ADMISSION DU PISTOLET EST MESURÉE SUR LE RACCORD D'ADMISSION DU PISTOLET QUAND LA GÂCHETTE DU PISTOLET EST ACTIVÉE.

### TABLEAU N° 4: PRESSION ET DÉBIT D'AIR LVMP

| PRESSION D'ADMISSION DU PISTOLET (PSI) | DÉBIT D'AIR DU CHAPEAU D'AIR (SCFM) |
|--|-------------------------------------|
| 15                                     | 4.7                                 |
| 20                                     | 5.8                                 |
| 25                                     | 6.9                                 |
| 30                                     | 7.8                                 |

- + PIÈCES FOURNIES AVEC 54-6216
- PIÈCES FOURNIES AVEC 54-6130-K
- PIÈCES FOURNIES AVEC 54-6131-K
- PIÈCES FOURNIES AVEC 54-6228-K
- ▲ KIT DE RÉPARATION ORIFICE LATÉRAL GTI-428-K5
- ▼ DISPONIBLE ÉGALEMENT EN KIT DE 3: SN-2-K3
- \* DISPONIBLE EN KIT 54-4539 (GROUPE DE 3)
- PIÈCES FOURNIES AVEC 54-6136

### TABLEAU N° 5: OPTIONS DE BUSE À LIQUIDE EN ACIER INOXYDABLE DURCI

| MATÉRIEL  | PIÈCE NO / ORIFICE        |
|---|---------------------------|
| <b>DÉBIT TRÈS FAIBLE / DÉBIT RÉDUIT</b>   | 45-12080<br>0.8mm (.030") |
| <b>FAIBLE/MOYEN</b><br>15 à 20 secondes, Zahn 2<br>Teintures, vernis, laques diluées, matériaux de remise en état automobile          | 45-12100<br>1.0mm (.040") |
| <b>MOYEN</b><br>20 à 30 secondes, Zahn 2<br>Revêtements industriels courants, peinture-émail, résines d'époxy, céramiques à grain fin | 45-12120<br>1.2mm (.047") |
| <b>IMPORTANT</b><br>Plus de 30 secondes, Zahn 2<br>Revêtements à faible COV, adhésifs, céramiques à grain fin                         | 45-12140<br>1.4mm (.055") |

## INSTRUCTIONS D'INSTALLATION

Pour une efficacité de transfert maximale, ne pas utiliser plus de pression que nécessaire pour pulvériser le produit à appliquer.

### REMARQUE

Lors de l'utilisation du HVLP, ne pas dépasser les pressions d'admission indiquées à la page 5.

1. Raccorder le pistolet à une alimentation en air propre, sèche et exempte d'huile au moyen d'un flexible conducteur d'au moins 5/16 po de D.I.

### REMARQUE

Selon la longueur du flexible, un flexible de diamètre intérieur plus gros pourrait être nécessaire. Monter un manomètre sur la poignée du pistolet. Voir la page 5 pour les pressions de fonctionnement. Ne pas utiliser plus de pression que nécessaire pour pulvériser le produit à appliquer. Une pression excessive accroît les retombées de pistilage et réduit l'efficacité du transfert de produit.

### REMARQUE

Si des raccords rapides sont nécessaires, utiliser uniquement des raccords haut débit homologués pour l'usage HVLP. Le débit d'air offert par d'autres types risque d'être insuffisant pour permettre au pistolet de fonctionner correctement.

### REMARQUE

Si une soupape de réglage d'air est utilisée à l'entrée du pistolet, utiliser une soupape de réglage HAV-501.

### REMARQUE

Avant d'utiliser le pistolet, le rincer avec du solvant pour s'assurer que les canalisations soient propres.

## FONCTIONNEMENT

### MODÈLES À GRAVITÉ

1. Mixer le produit selon les instructions du fabricant et le filtrer.
2. Le niveau du produit doit s'arrêter à 3/4 po au moins du haut du godet. NE PAS REMPLIR EXCESSIVEMENT.
3. Fixer le godet sur le couvercle.
4. Tourner la molette de réglage de produit (24) dans le sens horaire pour immobiliser l'aiguille.
5. Tourner la molette de la valve de réglage de jet (9) dans le sens antihoraire pour l'ouvrir complètement.
6. Régler la pression d'entrée d'air au besoin.
7. Tourner la molette de réglage de produit dans le sens antihoraire jusqu'à l'apparition du premier filet.
8. Faire un essai de pulvérisation. Si la finition est trop sèche, réduire la pression d'entrée pour réduire le flux d'air.

9. Si la finition est trop humide, tourner la molette de réglage de produit (24) dans le sens horaire pour réduire le débit. Si la pulvérisation est trop grossière, augmenter la pression d'entrée d'air. Si elle est trop fine, réduire la pression d'entrée.
10. La taille du jet peut être réduite en tournant la molette de la valve (9) dans le sens horaire.
11. Maintenir le pistolet perpendiculaire à la surface de travail. L'application risque de ne pas être uniforme si le pistolet est incliné vers le haut ou le bas.
12. La distance de pulvérisation préconisée est de 8 pouces.
13. Commencer la pulvérisation sur les côtés. Empiéter au moins de 75% sur la pulvérisation précédente. Déplacer le pistolet à vitesse constante.
14. Toujours couper l'arrivée d'air et évacuer la pression quand le pistolet est inutilisé.

## ENTRETIEN PRÉVENTIF ET NETTOYAGE

Pour nettoyer le chapeau d'air et la buse, brosser l'extérieur avec une brosse dure. Si les trous du chapeau ont besoin d'être nettoyés, utiliser une paille ou un cure-dents de préférence. Si du fil métallique ou un instrument dur est utilisé, veiller à ne pas endommager les orifices ce qui aurait pour effet de déformer le jet.

Pour nettoyer les conduits de produit, vider l'excédent de produit du godet puis rincer avec la solution nettoyante du pistolet. Essuyer l'extérieur du pistolet avec un chiffon humide. Ne jamais plonger le produit entièrement dans du solvant ou du nettoyant qui risquent de détériorer les lubrifiants et réduire la durée de vie du pistolet.

### REMARQUE

S'il faut remplacer la buse (7) ou l'aiguille (22), les deux doivent être remplacées en même temps. L'utilisation de pièces usées peut causer des fuites de produit. Voir page 4. Remplacer également le presse-étoupe de l'aiguille à cette occasion. Serrer la buse avec un couple de 170-180 po-lb. Ne pas serrer excessivement.

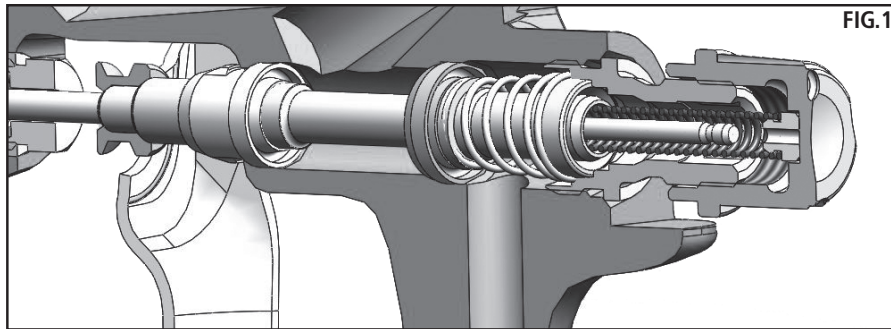
### ⚠ ATTENTION

Pour ne pas endommager la buse (7) ou l'aiguille (22), toujours 1) actionner et maintenir la gâchette pendant le serrage ou le desserrage de la buse, ou 2) enlever la molette de réglage de produit (24) pour réduire la pression du ressort contre la bague de l'aiguille.

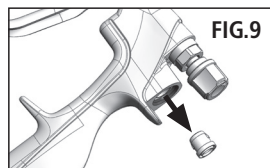
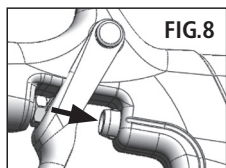
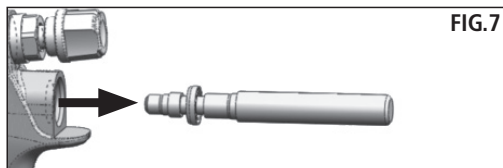
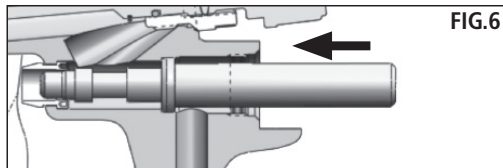
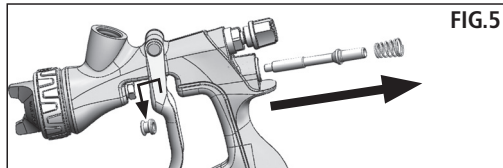
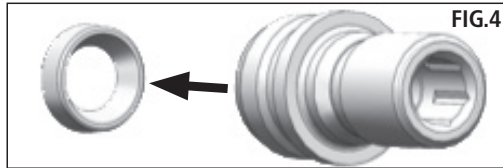
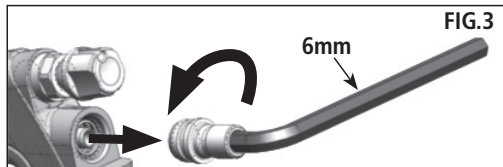
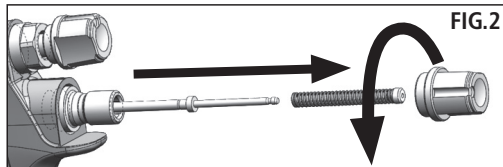
**GODET À GRAVITÉ** Vider l'excès de produit et nettoyer le godet. S'assurer que l'évent du couvercle n'est pas obstrué.

# PROCÉDURES DE MONTAGE ET DE DÉMONTAGE

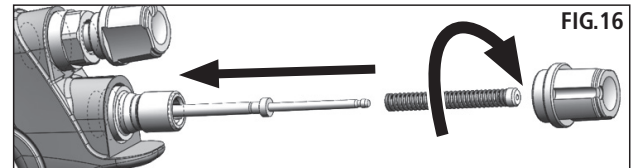
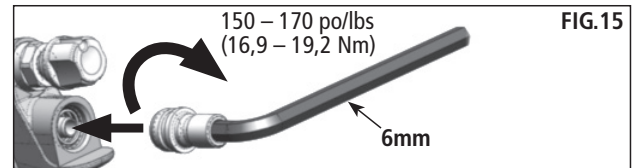
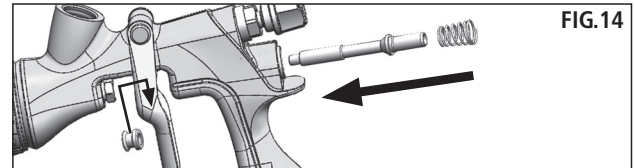
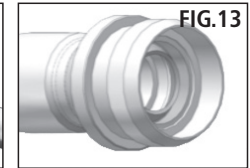
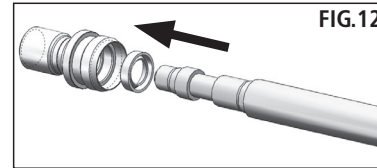
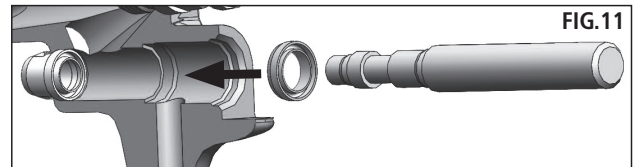
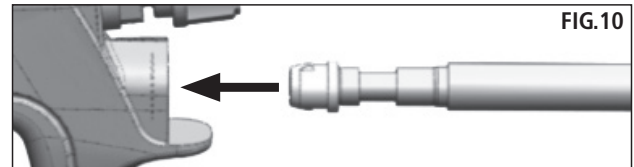
## MONTAGE ET DÉMONTAGE DE L'AIGUILLE ET DE LA VALVE



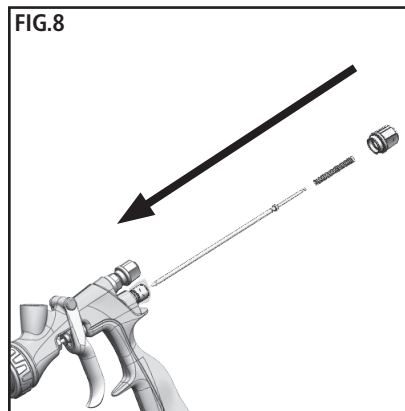
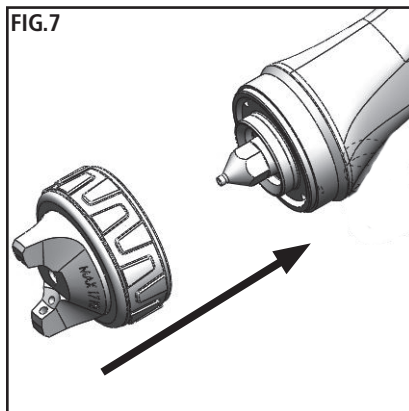
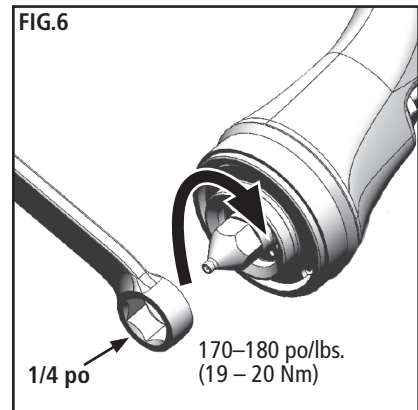
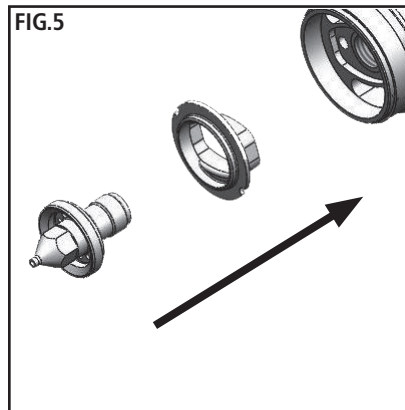
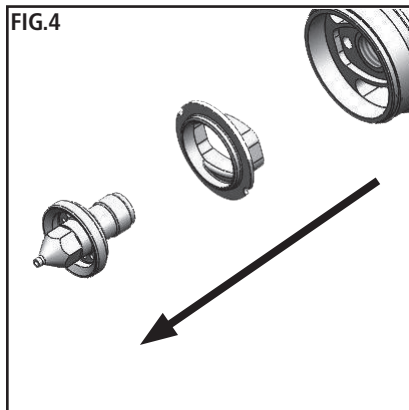
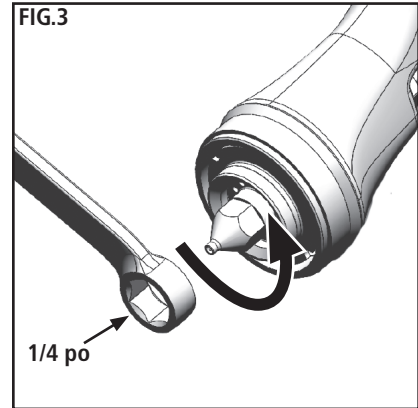
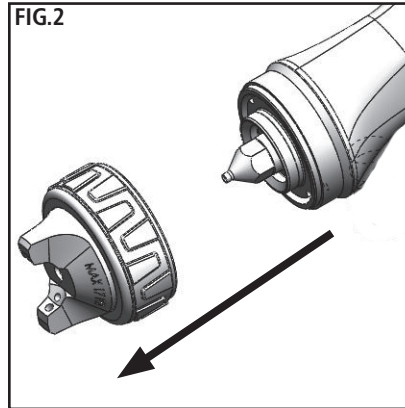
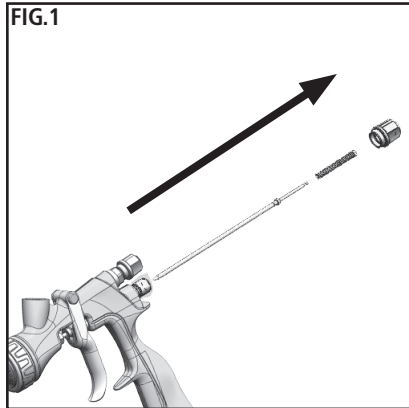
### DÉMONTAGE



### MONTAGE



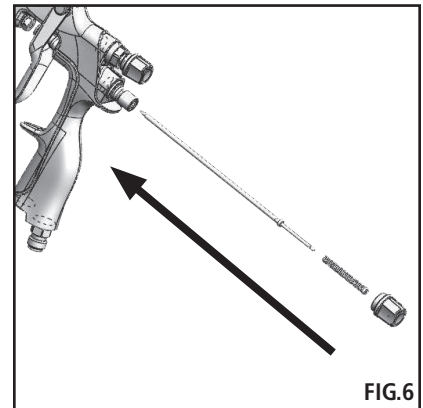
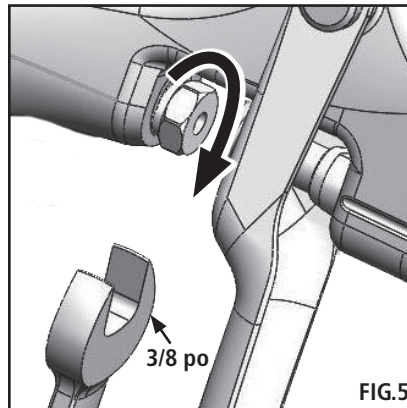
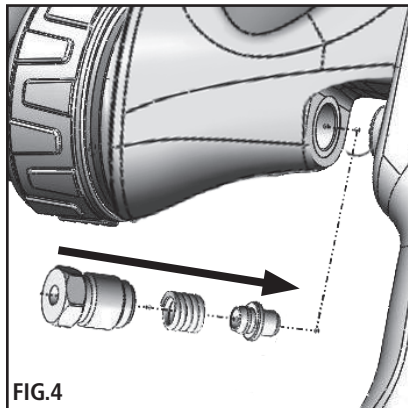
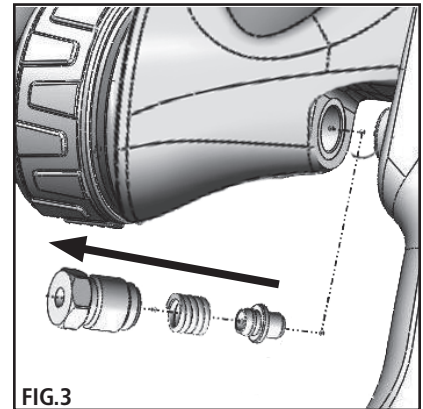
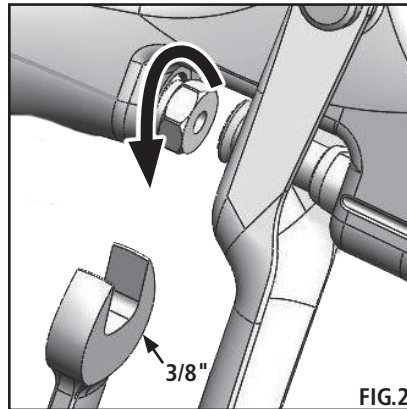
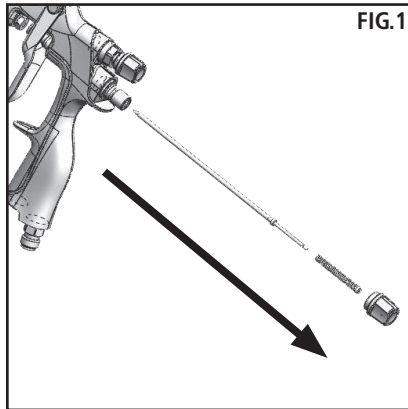
## ENTRETIEN – MONTAGE ET DE DÉMONTAGE DE LA BUSE ET DU DÉFLECTEUR



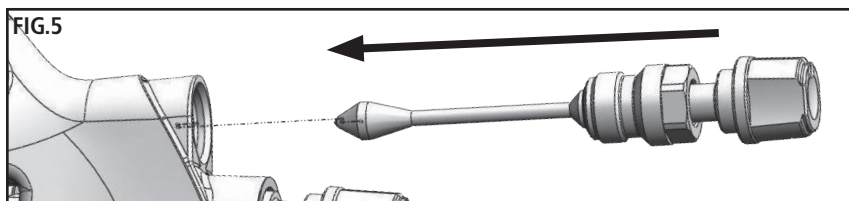
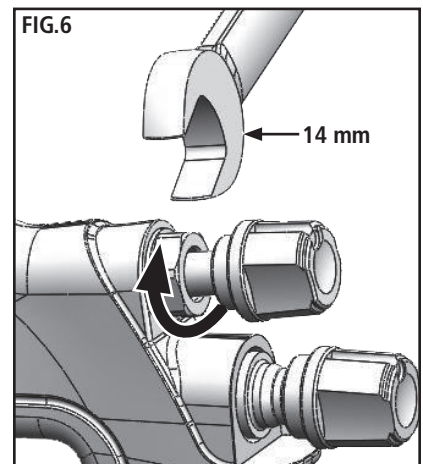
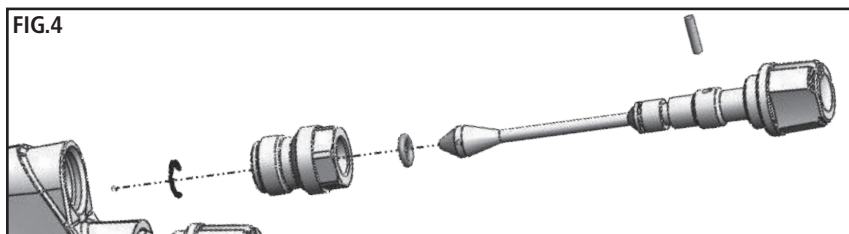
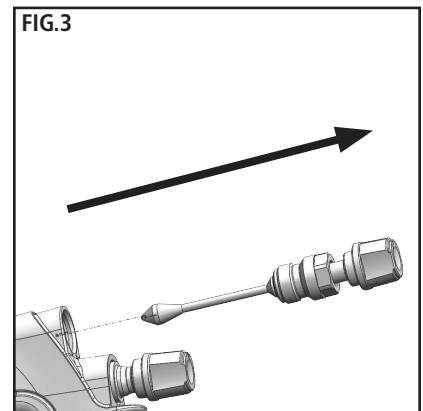
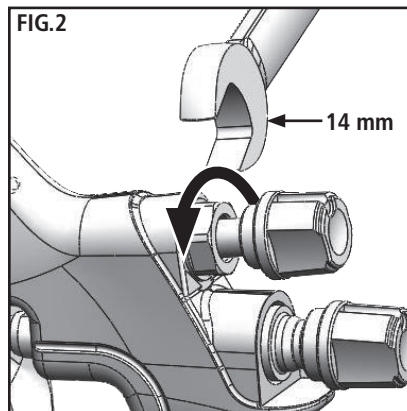
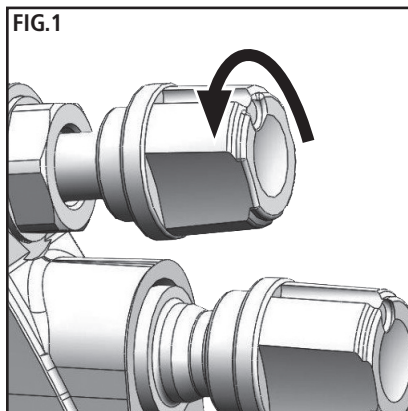
ALIGNER LE  
LOGEMENT AVEC  
LA GOUPILLE








## ENTRETIEN – MONTAGE ET DÉMONTAGE DU PRESSE-ÉTOUPE DE L'AIGUILLE



## ENTRETIEN – MONTAGE ET DÉMONTAGE DE LA VALVE DE RÉGLAGE DE JET



## DÉPANNAGE

| CONDITION   | CAUSE   | CORRECTION   |
|---|---|--|
| <b>Surépaisseur en haut et en bas</b>        | Trous évasés bouchés.<br>Obstruction en haut ou en bas de la buse.<br>Chapeau et/ou siège de buse encrassé.   | Nettoyer. Aléser avec une pointe non-métallique.<br>Nettoyer.<br>Nettoyer.   |
| <b>Surépaisseur à droite ou à gauche</b>     | Trous évasés gauches ou droits bouchés.<br>Côté gauche ou droit de la buse encrassé.  | Nettoyer. Aléser avec une pointe non-métallique.<br>Nettoyer.  |
|   | Solutions pour remédier à la surépaisseur de produit en haut, en bas, à droite et à gauche :<br>1. Déterminer si l'obstruction se situe sur le chapeau d'air ou la buse. Pour ce faire, effectuer un essai de pulvérisation. Tourner ensuite le chapeau d'un demi-tour et effectuer une nouvelle pulvérisation. Si le défaut est inversé, l'obstruction se situe sur le chapeau d'air. Nettoyer le chapeau d'air comme expliqué précédemment.<br>2. Si le défaut n'est pas inversé, le problème provient de la buse. Vérifier si de la peinture sèche s'est déposée sur le bord de la buse. Enlever avec du papier de verre humide ou sec #600.<br>3. Vérifier si de la peinture sèche est déposée dans l'orifice central du chapeau et l'éliminer au besoin avec du solvant. |  |
| <b>Surépaisseur centrale</b>                 | Débit de fluide trop élevé pour l'air de pulvérisation.<br>Le débit du produit dépasse la capacité du chapeau d'air.<br>Valve de réglage de jet trop fermée.<br>Pression de pulvérisation trop faible.<br>Produit trop épais.   | Régler la pression d'air et le débit du produit.<br>Augmenter la largeur de pulvérisation avec la valve de réglage de jet.<br>Réduire le débit du produit.<br>Régler.<br>Augmenter la pression.<br>Diluer pour obtenir une consistance correcte. |
| <b>Creux au centre de l'application</b>    | Pression d'air trop élevée.<br>Débit de produit trop faible.<br>Molette de réglage de produit trop serrée.  | Réduire au niveau du régulateur ou de la poignée du pistolet.<br>Augmenter le débit du produit (augmente la vitesse d'utilisation du pistolet).<br>Régler.   |
| <b>Projection irrégulière ou saccadée</b>  | * Buse ou siège desserré ou endommagé.<br>Niveau de produit insuffisant.<br>Godet trop incliné.<br>Obstruction dans le conduit de produit.<br>Écrou de presse-étoupe d'aiguille desserré ou sec.  | Serrer ou remplacer.<br>Rajouter du produit.<br>Redresser le pistolet.<br>Rincer avec du solvant.<br>Lubrifier ou serrer.  |
| <b>Impossible d'obtenir une pulvérisation ronde</b>   | La vis de réglage du jet n'est pas correctement mise en place.<br>La bague de retenue du chapeau d'air est desserrée.   | Nettoyer ou remplacer.<br>Serrer.  |
| <b>Aucune pulvérisation</b>   | Aucune pression d'air dans le pistolet.<br>La vis de réglage de l'aiguille de produit est trop fermée.<br>Le produit est trop épais pour une alimentation par gravité.  | Vérifier l'alimentation en air et les tuyaux d'air, souffler le circuit d'air du pistolet.<br>Ouvrir la vis de réglage de l'aiguille de produit.<br>Diluer le produit et/ou changer par un plus grand orifice central.                           |
| <b>Bulles de peinture dans le godet</b>   | La buse n'est pas serrée.   | Serrer la buse.  |
| <b>Le produit fuit ou s'égoutte par le couvercle du godet</b>   | Couvercle de godet mal fermé.<br>filets du couvercle encrassés.<br>Godet ou couvercle fissuré.  | Serrer le couvercle.<br>Nettoyer.<br>Remplacer le godet et le couvercle.   |

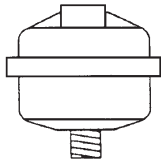
\* Le problème le plus courant.



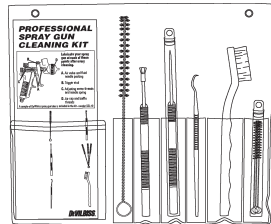
## DÉPANNAGE

| CONDITION  | CAUSE   | CORRECTION  |
|--|---|---|
| <b>Projection faible</b>   | Mauvais débit de produit.<br>Pression d'air de pulvérisation trop basse.  | Desserrer la molette de réglage de produit ou remplacer la buse par une buse plus grande.<br>Augmenter la pression d'air et équilibrer le pistolet.   |
| <b>Retombées de pistolage excessives</b>                                 | Pression d'air trop élevée.<br>Pistolet trop loin de la surface de travail.<br>Mauvaise application (inclinaison, mouvement trop rapide du pistolet).   | Réduire la pression.<br>Ajuster la distance du pistolet.<br>Travailler à un rythme modéré, parallèlement à la surface de travail.   |
| <b>Dissipation excessive</b>   | Trop de diluant ou le diluant sèche trop rapidement.<br>Pression d'air trop élevée (pression de pulvérisation).   | Re-mélanger correctement.<br>Réduire la pression d'air.   |
| <b>Pulvérisation sèche</b>   | Pression d'air trop élevée.<br>Pistolet trop loin de la surface de travail.<br>Mouvement du pistolet trop rapide.<br>Pistolet mal réglé.  | Réduire la pression d'air.<br>Ajuster la distance du pistolet.<br>Ralentir.<br>Régler.  |
| <b>Fuite de produit par l'écrou de presse-étoupe</b>                     | Écrou de presse-étoupe desserré.<br>Presse-étoupe usé ou sec.   | Serrer sans affecter l'aiguille.<br>Remplacer ou lubrifier.   |
| <b>Fuite de produit par l'avant du pistolet</b>                          | Écrou de presse-étoupe trop serré.<br>Presse-étoupe sec.<br>Buse ou aiguille usée ou endommagée.<br>Corps étranger dans la buse.<br>Ressort de l'aiguille endommagé.<br>Aiguille ou buse de dimension incorrecte.     | Régler.<br>Lubrifier.<br>Remplacer la buse et l'aiguille.<br>Nettoyer.<br>Remplacer.<br>Remplacer.  |
| <b>Fuite de produit par le fond du godet</b>                             | Godet desserré.<br>Joint de godet usé ou manquant.<br>Filets du godet encrassés.  | Serrer.<br>Remplacer le joint du godet.<br>Nettoyer.  |
| <b>Coulures et festons</b>   | Débit de produit excessif.<br>Produit trop dilué.<br>Pistolet incliné ou mouvement d'application trop lent.   | Régler le pistolet ou réduire le débit du produit.<br>Mélanger correctement ou appliquer en couches minces.<br>Tenir le pistolet à l'angle correct et adopter une technique de pistolage correcte.  |
| <b>Finition mince, grossière et sableuse séchant avant l'application</b> | Pistolet trop loin de la surface de travail.<br>Pression d'air trop élevée.<br>Mauvais diluant utilisé.   | Vérifier la distance. Elle est normalement d'environ 8 po.<br>Réduire la pression d'air et vérifier la projection.<br>Suivre les instructions de préparation du fabricant de peinture.  |
| <b>Finition épaisse en « peau d'orange »</b>                             | Pistolet trop proche de la surface.<br>Trop de produit pulvérisé grossièrement.<br>Pression d'air trop faible.<br>Mauvais diluant utilisé.<br>Produit incorrectement préparé.<br>Surface rugueuse, grasse, encrassée. | Vérifier la distance. Elle est normalement d'environ 8 po.<br>Suivre les instructions de préparation du fabricant de peinture.<br>Augmenter la pression d'air ou réduire le débit du produit.<br>Suivre les instructions de préparation du fabricant de peinture.<br>Suivre les instructions de préparation du fabricant de peinture.<br>Nettoyer et préparer correctement. |

## ACCESSOIRES

**HAF-507-K12**  
**Kit de filtrage d'air**  
**en ligne Whirlwind™**  
**kit de 12**


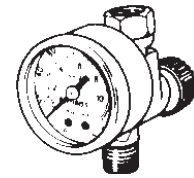
Nettoie l'air de toute trace d'eau, d'huile et de débris.

**192212**  
**Kit de nettoyage de pistolet pulvérisateur**  
**professionnel**


Contient six outils de précision conçus pour nettoyer efficacement tous les pistolets pulvérisateurs DeVilbiss, Binks, Finishline et ceux des autres de marque.


**6-429**  
**Lubrifiant**  
**Gunners**  
**Mate de**  
**Binks**  
**(Vingt**  
**bouteilles**  
**de 2 oz.)**

Compatible avec tous les produits de peinture ; ne contient pas de silicone ou de distillats de pétrole qui peuvent contaminer la peinture. SDS disponible sur demande.

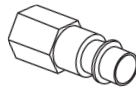
**HAV-500 OU HAV-501**  
**Vanne de régulation**  
**(INDIQUÉ HAV-501)**


HAV-500 ne dispose pas de manomètre. Utiliser pour contrôler l'utilisation d'air au pistolet.

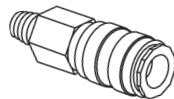
**Respirateur Millennium**  
**3000 à deux cartouches pour**  
**pulvérisation de peinture**


Certifié NIOSH, pour une protection respiratoire dans des atmosphères sans danger immédiat pour la vie.

|        |        |        |
|--------|--------|--------|
| Petit  | Moyen  | Large  |
| 40-141 | 40-128 | 40-143 |

**Raccords rapides pour**  
**les pistolets HVLP (Air)**  
 Type haut débit


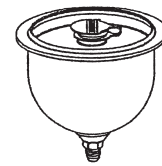
HC-4419 Tige  
1/4 po NPT(F)  
Côté pistolet



HC-4719 Raccord  
1/4 po NPT(M)  
Côté flexible

**29-3100 Lingettes**  
**nettoyantes Scrubs®**


Les lingettes humidifiées Scrubs® sont des serviettes de nettoyage pour les peintres, les tôliers et les mécaniciens qui se déplacent sans avoir nécessairement besoin d'eau.

**Godets à gravité en option**


**81-381**  
**Godet en aluminium de**  
**8 oz. / 226 g**  
 (illustré)

**SRI-510**  
**Godet en acétal de**  
**4 oz. / 113 g**

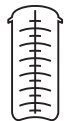
**Accessoires DeKups® pour les godets à gravité**

**DPC-60-K10**  
 9oz Universal  
 x10



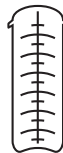
**DPC-607**  
 x2

**DPC-59-K10**  
 24oz Universal  
 x10



**DPC-606**  
 x2

**DPC-61-K10**  
 34oz Universal  
 x10



**DPC-608**  
 x2

125 µm  
**DPC-42-K24**  
 x24



125 µm  
**DPC-65-K24**  
 x24



9 FL  
 265 mL  
**DPC-602**  
 x32



200 µm  
**DPC-66-K24**  
 x24



200 µm  
**DPC-67-K24**  
 x24



24 FL  
 710 mL  
**DPC-601**  
 x32



34 FL  
 1000 mL  
**DPC-600**  
 x32



**DPC-6-K10**  
 x10



**DPC-22-K24**  
 x24



**DPC-44**



**DPC-23**



GOSETS

DOUBLURES

---

REMARQUES

## CONDITIONS DE GARANTIE

Les produits Binks sont couverts contre les vices de matériel et de fabrication par une garantie limitée d'un an de Carlisle Fluid Technologies. L'utilisation de toutes pièces ou accessoires issus d'une source autre que Carlisle Fluid Technologies, annulera toutes les garanties. Pour des informations précises sur la garantie, veuillez contacter le site de Carlisle Fluid Technologies le plus proche, que vous trouverez sur la liste ci-dessous.

Carlisle Fluid Technologies se réserve le droit de modifier sans préavis les spécifications de l'équipement. DeVilbiss®, Ransburg®, MS®, BGK®, et Binks® sont des marques de commerce déposées de Carlisle Fluid Technologies, Inc. ©2016 Carlisle Fluid Technologies, Inc. Tous droits réservés.



Binks fait partie de Carlisle Fluid Technologies, un leader mondial dans le domaine des technologies innovatrices de finition. Pour toute assistance technique ou pour localiser un distributeur agréé, veuillez contacter l'un de nos bureaux de ventes internationaux et de soutien client.

### USA/Canada

info@carlisleleft.com  
Tél : 1-888-992-4657  
Fax : 1-888-246-5732

### Mexique

ventas@carlisleleft.com.mx  
Tél : 011 52 55 5321 2300  
Fax : 011 52 55 5310 4790

### Brésil

vendas@carlisleleft.com.br  
Tél : +55 11 5641 2776  
Fax : 55 11 5641 1256

### Royaume-Uni

info@carlisleleft.eu  
Tél : +44 (0)1202 571 111  
Fax : +44 (0)1202 573 488

### France

info@carlisleleft.eu  
Tél : +33(0)475 75 27 00  
Fax : +33(0)475 75 27 59

### Allemagne

info@carlisleleft.eu  
Tél : +49 (0) 6074 403 1  
Fax : +49 (0) 6074 403 281

### Chine

mkt@carlisleleft.com.cn  
Tél : +8621-3373 0108  
Fax : +8621-3373 0308

### Japon

overseas-sales@carlisleleft.co.jp  
Tél : 081 45 785 6421  
Fax : 081 45 785 6517

### Australie

sales@carlisleleft.com.au  
Tél : +61 (0) 2 8525 7555  
Fax : +61 (0) 2 8525 7575

Pour obtenir les dernières informations sur nos produits, visitez [www.carlisleleft.com](http://www.carlisleleft.com).





# BINKS „TROPHY“ REIHE SAUGZUFUHR HVLP & LVMP LACKSPRITZPISTOLE

(1466-XXXX-XXX)

CE  II 2 G X

Die Lackspritzpistole der Trophy-Reihe von Binks ist die führende Spritzpistole zum Einsatz in Saugzufuhr-Lack- und Sprühanwendungen und legt einen neuen Standard für Langlebigkeit, Ergonomie und Zerstäubung fest. Das leichte ergonomische Design bietet einzigartigen Komfort und herausragende Kontrolle. Die modernste Sprühtechnologie wurde integriert, um konsistentes feines Finish auf einer Vielfalt industrieller Beschichtungsanwendungen zu erzielen.

Die Lack-Spritzpistolen der Trophy-Reihe von Binks werden in zwei verschiedenen Sprühtechnologien angeboten: HVLP und LVMP.



## SPEZIFIKATIONEN

|                                      |                              |
|--------------------------------------|------------------------------|
| Maximaler Luftdruck                  | 100 psi / 6,9 bar (P-1)      |
| Spritzpistolengehäuse                | Eloxiertes Aluminium         |
| Flüssigkeitsverlauf                  | Rostfreier Stahl             |
| Flüssigkeitseinlassgröße             | 7/16 – 14(f)                 |
| Lufteinlassgröße                     | 1/4" NPS / BSP(m)            |
| Spritzpistolen-gewicht (ohne Becher) | 12 oz. / 348 Gramm           |
| Benetzte Teile (Spritzpistole)       | Rostfreier Stahl & PTFE      |
| Benetzte Teile (Becher)              | Aluminium und Messingüberzug |

Die Trophy HVLP-Reihe an Spritzpistolen kann verwendet werden, um bei hoher Übertragungswirksamkeit gemäß den Richtlinien des „California South Coast Air Quality Management District“ als hochvolumige, Niedrigdruck-Spritzpistole eingesetzt zu werden.

## WICHTIG! NICHT ENTSORGEN

Der Kunde ist dafür verantwortlich, dass alle Bediener und das gesamte Wartungspersonal diese Anleitung lesen und verstehen. Kontaktieren Sie Ihre Binks-Vertretung vor Ort, um zusätzliche Kopien dieser Anleitung anzufordern.

**LESEN SIE ALLE ANWEISUNGEN BEVOR SIE DIESES BINKS-PRODUKT VERWENDEN.**

Auf dieser Teile-Seite werden die Wörter **WARNUNG**, **ACHTUNG** und **HINWEIS** dazu verwendet, wichtige Sicherheitsinformationen wie folgt zu betonen:

## ⚠️ WARNUNG

Gefahren oder unsichere Verfahrensweisen können zu schweren Körperverletzungen, Tod oder erheblichen Sachschaden führen.

## ⚠️ ACHTUNG

Gefahren oder unsichere Verfahrensweisen können zu geringen Körperverletzungen, Produkt- oder Sachschaden führen.

## HINWEIS

Wichtige Installations-, Betriebs- und Wartungsinformationen.

# ⚠️ WARNUNG

Lesen Sie die folgenden Warnungen, bevor Sie dieses Gerät verwenden.



### BEDIENUNGSANLEITUNG LESEN

Vor der Inbetriebnahme von Endbearbeitungsgeräten alle Sicherheits-, Betriebs- und Wartungsinformationen in der Betriebsanleitung lesen und verstehen.



### TRAGEN SIE EINE SCHUTZBRILLE

Das Tragen einer Schutzbrille mit Seitenschildern ist notwendig, um schwere Augenverletzungen oder Blindheit zu vermeiden.



### VOR ALLEN WARTUNGSARBEITEN STROM ABSCHALTEN, DRUCK ABLASSEN UND ALLE STROMQUELLEN AUSSCHALTEN

Wenn vor Wartungsarbeiten der Strom nicht abgeschaltet wird, der Druck nicht abgelassen und alle Stromquellen ausgeschaltet werden, kann das zu schweren Verletzungen oder sogar zum Tod führen.



### BEDIENERSCHULUNG

Das gesamte Personal muss vor der Arbeit mit Endbearbeitungsgeräten geschult werden.



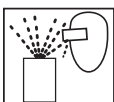
### GEFAHR BEI GERÄTEMISSBRAUCH

Gerätemissbrauch kann zum Bruch, Versagen oder unerwarteten Start und zu schweren Verletzungen führen.



### ALLE SCHUTZVORRICHTUNGEN AN ORT UND STELLE BELASSEN

Das Gerät nicht verwenden, wenn die Sicherheitsvorrichtungen entfernt wurden.



### GEFAHR DURCH HERUMFLIEGENDE GEGENSTÄNDE

Verletzungsgefahr durch unter Druck abgelassene Flüssigkeiten oder Gase oder durch Splitter.



### QUETSCHGEFAHR

Bewegliche Teile können Quetschungen und Schnitte verursachen. Quetschstellen sind alle Bereiche mit beweglichen Teilen.



### GERÄTE TÄGLICH INSPIZIEREN

Geräte täglich auf verschlissene oder beschädigte Teile inspizieren. Gerät nicht betreiben, wenn der Zustand des Geräts unbekannt ist.



### DIE GERÄTE DÜRFEN IN KEINER WEISE MANIPULIERT WERDEN.

Die Geräte dürfen nur nach schriftlicher Genehmigung des Herstellers geändert werden.



ES IST WICHTIG, DASS SIE IM NOTFALL WISSEN, WO UND WIE DIE PISTOLE AUSGESCHALTET WERDEN KANN.



### DRUCKABLASSVERFAHREN

Halten Sie sich immer an die Druckablassverfahren in der Geräte-Bedienungsanleitung.



### LÄRMGEFAHR

Laute Geräusche können Verletzungen verursachen. Beim Einsatz dieses Geräts kann ein Hörschutz notwendig sein.



### STATISCHE LADUNG

Flüssigkeit kann eine statische Ladung entwickeln, die durch angemessene Erdung der Geräte, der zu besprühenden Teile sowie aller anderen elektrisch geladenen Teile im Sprühbereich abgeleitet werden kann. Unsachgemäße Erdung oder Funken können gefährliche Zustände schaffen und zu Brand, Explosion oder Elektroschock sowie anderen schweren Verletzungen führen.



### BRAND- UND EXPLOSIONSGEFAHR

Verwenden Sie mit aluminiumbenetzten Teilen nie Lösungsmittel mit 1,1,1-Trichloroethan, Methylenchlorid oder andere halogenierte Kohlenwasserstoff-Lösungsmittel, oder Flüssigkeiten, die solche Lösungsmittel enthalten. Das könnte gefährliche chemische Reaktionen und möglicherweise eine Explosion hervorrufen. Wenden Sie sich an Ihren Flüssigkeitslieferanten, um sicherzugehen, dass die verwendeten Flüssigkeiten mit den Aluminiumteilen kompatibel sind.



CA PROP  
65

### PROP 65-WARNUNG

WARNUNG: Dieses Produkt enthält Chemikalien, die im Staate Kalifornien als Ursache für Krebs, Geburtsfehler oder Einschränkung der Fortpflanzungsfähigkeit eingestuft werden.

**DER ARBEITGEBER MUSS DEM BEDIENER DES GERÄTS DIESE INFORMATIONEN ZUKOMMEN LASSEN.**

**ZUSÄTZLICHE SICHERHEITSDATEN ZU BINKS- UND DEVLBISS-GERÄTEN FINDEN SIE IM GENERAL EQUIPMENT SAFETY BOOKLET (77-5300).**

## EU-Konformitätserklärung

Herg. von: Carlisle Fluid Technologies  
320 Philips Ave.  
Toledo, OH 43612

Typ/Reihe: HANDSPRITZPISTOLE

Modell: Binks „Trophy“ Reihe

Das Gerät, das in dem Dokument beschrieben wird, entspricht den folgenden Normen oder anderen normativen Verweisen:

**BS EN ISO 12100:2010 und BS EN 1953:1998 + A1:2009** und entspricht daher den Schutzanforderungen der Richtlinie 2006/42/EG des EU-Rates für Maschinensicherheit und;

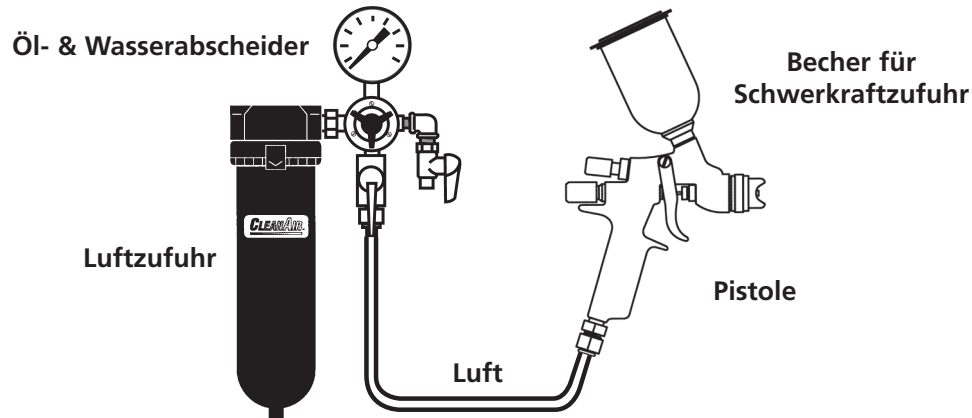
**BS EN 13463-1:2009, Richtlinie 94/9/EG Geräte und Schutzsysteme zur bestimmungsgemäßen Verwendung in explosionsgefährdeten Bereichen** des EU-Rates, Schutzstufe II 2 G X.

Genehmigt durch: Marvin Burns Datum: 1. August 2013  
Binks





## INSTALLATIONSARTEN



Der Luftdruck für die Zerstäubung wird am Auszieher eingestellt. Der Flüssigkeitsfluss wird mithilfe des Flüssigkeitsventil-Reglerknopfs an der Spritzpistole, der Lackviskosität und des Luftdrucks eingestellt.




### SCHWERKRAFTZUFUHR VORBEREITUNG

Bei Spritzpistolen mit Schwerkraftzufuhr ist der Becher über der Pistole angebracht. Die Schwerkraft drückt die Flüssigkeit in die Pistole.

Vorteile: diese Methode ermöglicht schnelle Farbänderungen und ist praktisch für kleinere Anwendungen und Ausbesserungsarbeiten. In Spritzpistolen mit Schwerkraftzufuhr kann das gesamte Beschichtungsmaterial eingesetzt werden, wodurch Abfall reduziert wird.

### LUFTDRUCK

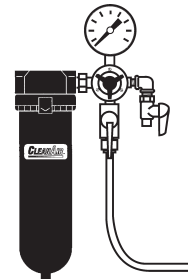
Der Sprühdruk muss richtig eingestellt werden, damit ein Luftdruckabfall zwischen dem Regler und der Spritzpistole möglich ist.

|  |  |  |
|--|--|--|
|  <p>5/16 Zoll</p>   | <p><b>LUFTZUFUHR 60 PSI</b></p> <p>Querschnitt mit Vergleich der Innenschlauchdurchmesser (tatsächliche Größe). 60 lbs. Regeldruck</p> |  <p>1/4 Zoll</p>  |
| <p><b>EMPFOHLEN</b></p> <p>48 PSI am Spritzpistoleneinlass</p> <p>25 Fuß Schlauch mit einem Innendurchmesser von 5/16 Zoll führt zu einem Druckabfall von 12 PSI zwischen der Luftzufuhr und der Spritzpistole. Daher empfiehlt Binks die Verwendung eines Schlauchs mit einem Innendurchmesser von 5/16 Zoll.</p> |   | <p><b>NICHT EMPFOHLEN</b></p> <p>Nur 34 PSI am Spritzpistoleneinlass</p> <p>25 Fuß Schlauch mit einem Innendurchmesser von 1/4 Zoll führt zu einem Druckabfall von 26 PSI zwischen der Luftzufuhr und der Spritzpistole.</p> |

### Ein Öl- und Wasserabscheider ist wichtig.

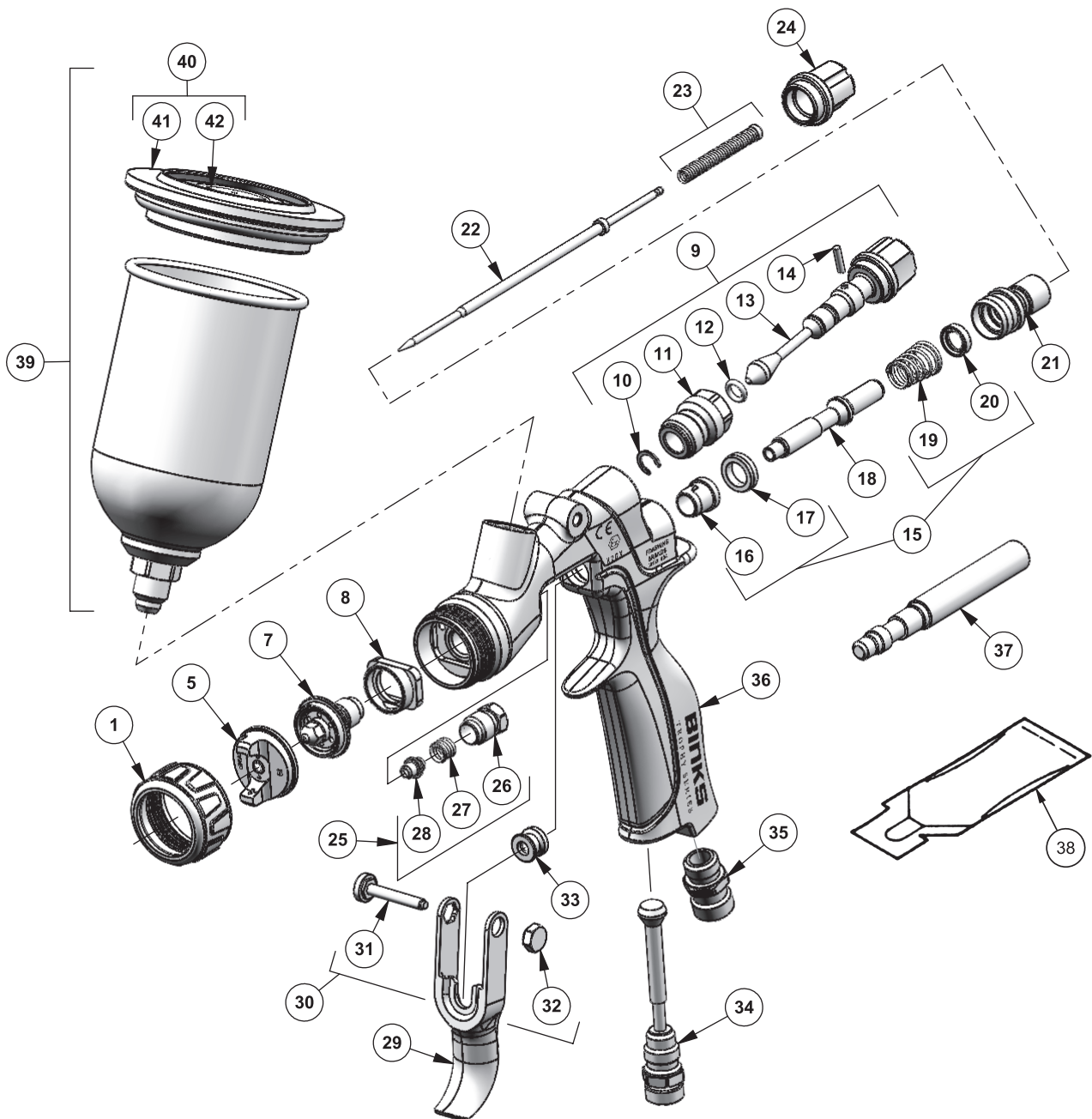
Es ist so gut wie unmöglich ein feines Sprüh-Finish ohne den Einsatz eines guten Öl- und Wasserabscheiders zu erreichen.

Ein Regler/Abscheider hat zwei Aufgaben. Er eliminiert Blasendbildung und Flecken, indem Wasser und Öl aus der Sprühluft entfernt werden und er ermöglicht eine präzise Luftdruckregelung an der Spritzpistole.



Verwenden Sie Öl- und Wasserabscheider und Regler von DeVilbiss. Wenden Sie sich für die Modelle an Ihren Händler vor Ort.

## SPRITZPISTOLE DER BINKS „TROPHY“-REIHE MIT SAUGZUFUHR



## AUSWAHLANLEITUNG FÜR DIE SPRITZPISTOLE DER BINKS „TROPHY“-REIHE MIT SAUGZUFUHR

| ART DER ZU SPRÜHENDEN FLÜSSIGKEIT   | KOMPLETTE SPRITZPISTOLEN-TEILENUMMER | FLÜSSIGKEITSDÜSE UND LUFTKAPPE | SPRÜHTECHNOLOGIE |
|---|--------------------------------------|--------------------------------|------------------|
| <b>LEICHT/MITTEL</b><br>15 - 20 Sekunden, Zahn 2<br>Farben, Lacke, dünne Lacke,<br>Automobillacke           | 1466-10LV-A1S                        | 1.0 mm X A1                    | ROUND            |
|   | 1466-10LV-B1S                        | 1.0 mm X B1                    | LVMP             |
|   | 1466-10HV-C1S                        | 1.0 mm X C1                    | HVLP             |
| <b>MITTEL</b><br>20 - 30 Sekunden, Zahn 2<br>Allgemeine industrielle Lacke, Emaille,<br>Epoxid, Feinkeramik | 1466-12LV-B1S                        | 1.2 mm X B1                    | LVMP             |
|   | 1466-12HV-C1S                        | 1.2 mm X C1                    | HVLP             |

TABELLE 1: TEILELISTE FÜR DIE SPRITZPISTOLE DER BINKS „TROPHY“-REIHE MIT SAUGZUFUHR

| ARTIKELNR. | TEILNUMMER                  | BESCHREIBUNG                                   | ANZ | ARTIKELNR. | TEILNUMMER | BESCHREIBUNG  | ANZ |
|------------|-----------------------------|--|-----|------------|------------|---|-----|
| 1          | 54-6211                     | LUFTKAPPEN-HALTERING-BAUGRUPPE                 | 1   | 23         | 54-6223-K  | <input type="checkbox"/> FEDER-/PLATTEN-BAUGRUPPE     | 1   |
| 5          | SIEHE NACHSTEHENDE TABELLEN | LUFTKAPPE                                      | 1   | 24         | 54-6111    | KNOPF-NADELVERSTELLUNG                                | 1   |
| 7          | SIEHE NACHSTEHENDE TABELLEN | FLÜSSIGKEITSDÜSE                               | 1   | 25         | 54-6130-K  | <input type="checkbox"/> NADELPAKUNGS-KIT             | 1   |
| 8          | 54-6215-K5                  | UMLENKBLECH/ABSCHIEDER (5ER SATZ)              | 1   | 26         | -----      | <input checked="" type="checkbox"/> MUTTER - PACKUNG  | 1   |
| 9          | 54-6216                     | VENTILBAUGRUPPE SEITENANSCHLUSS                | 1   | 27         | -----      | <input checked="" type="checkbox"/> FEDER FÜR PACKUNG | 1   |
| 10         | -----                       | +<br>Δ HALTECLIP                               | 1   | 28         | -----      | <input checked="" type="checkbox"/> NADELPAKUNG       | 1   |
| 11         | -----                       | + KÖRPERBUCHSE                                 | 1   | 29         | 54-6218    | AUSLÖSER  | 1   |
| 12         | -----                       | +<br>Δ O-RING                                  | 1   | 30         | 54-6228-K  | AUSLÖSERSCHRAUBEN-MUTTER-SATZ                         | 1   |
| 13         | -----                       | + SEITENANSCHLUSSSTANGE                        | 1   | 31         | -----      | ○ AUSLÖSERSCHRAUBE                                    | 1   |
| 14         | -----                       | +<br>Δ STIFT                                   | 1   | 32         | -----      | ○ AUSLÖSERMUTTER                                      | 1   |
| 15         | 54-6131-K                   | <input type="checkbox"/> LUFTVENTIL-SERVICEKIT | 1   | 33         | 54-3513    | SPINDELKAPPE  | 1   |
| 16         | -----                       | • DICHTUNG VORNE - LUFTVENTIL                  | 1   | 34         | JJ-42      | LUFT-EINSTELLVENTIL-BAUGRUPPE                         | 1   |
| 17         | -----                       | • LUFTVENTILDICHTUNG VORNE                     | 1   | 35         | JJ-30      | MUFFE - LUFTEINLASS                                   | 1   |
| 18         | 54-6220                     | <input type="checkbox"/> LUFTVENTILSPINDEL     | 1   | 36         | -----      | PISTOLENKÖRPER  | 1   |
| 19         | -----                       | • LUFTVENTILFEDER                              | 1   | 37         | -----      | WERKZEUG - DICHTUNGSEINSATZ                           | 1   |
| 20         | -----                       | • DICHTUNG HINTEN - LUFTVENTIL                 | 1   | 38         | -----      | SCHMIERNMITTEL GUNNER'S MATE (3 CC TUBE)              | 1   |
| 21         | SN-66                       | GEHÄUSE  |     | 39         | 54-4458    | 4 OZ. SAUGBECHER-BAUGRUPPE                            | 1   |
| 22         | 47-6851                     | NADEL – EDELSTAHL (STD)                        | 1   | 40         | 54-4459    | * DECKELBAUGRUPPE                                     | 1   |
|            | 47-6852                     | NADEL - KUNSTSTOFFSPITZE                       | 1   | 41         | -----      | BECHERKAPPE   | 1   |
|            |                             |  |     | 42         | -----      | BECHERKAPPE   | 1   |

TABELLE 2: LUFTKAPPENOPTIONEN

| BEZEICHNUNG | SPRÜHTECHNOLOGIE | TEILNUMMER |
|-------------|------------------|------------|
| A1          | Rundstrahl       | 46-10020   |
| B1          | LVMP             | 46-10010   |
| C1          | HVLP             | 46-10000   |

HVLP TESTKIT FÜR C1 LUFTKAPPE: 54-6226

TABELLE 3: HVLP-LUFTDRUCKWERTE UND FLIESSWERTE

| PISTOLENEINLASSDRUCK (PSI) | LUFTKAPPEN-LUFTFLUSS (SFCM) | LUFTKAPPEN-SPRÜHDRUCK (PSI) |
|----------------------------|-----------------------------|-----------------------------|
| 5                          | 2.5                         | 2                           |
| 10                         | 4.0                         | 4                           |
| 15                         | 5.1                         | 7                           |
| 21                         | 6.4                         | 10                          |

DER PISTOLENEINLASSDRUCK WIRD AM PISTOLENEINLASSANSCHLUSS BEI GELÖSTER SPRITZPISTOLE GEMESSEN.

TABELLE 4: LVMP-LUFTDRUCKWERTE UND FLIESSWERTE

| PISTOLENEINLASSDRUCK (PSI) | LUFTKAPPEN-LUFTFLUSS (SFCM) |
|----------------------------|-----------------------------|
| 15                         | 4.7                         |
| 20                         | 5.8                         |
| 25                         | 6.9                         |
| 30                         | 7.8                         |

+ TEILE, DIE IM LIEFERUMFANG VON 54-6216 ENTHALTEN SIND

■ TEILE, DIE IM LIEFERUMFANG VON 54-6130-K ENTHALTEN SIND

• TEILE, DIE IM LIEFERUMFANG VON 54-6131-K ENTHALTEN SIND

○ TEILE, DIE IM LIEFERUMFANG VON 54-6228-K ENTHALTEN SIND

Δ GTI-428-K5 SEITENANSCHLUSS-REPARATURKIT

▼ AUCH ERHÄLTICH IM 3ER SATZ: SN-2-K3

\* ERHÄLTICH IM KIT 54-4539 (3ER SATZ)

 TEILE, DIE IM LIEFERUMFANG VON 54-6136 ENTHALTEN SIND

TABELLE 5: GEHÄRTETERS EDELSTAHL-FLÜSSIGKEITSDÜSEN-OPTIONEN

| MATERIAL   | TEILNR. / ÖFFNUNG         |
|--|---------------------------|
| <b>SEHR LEICHT / REDUZIERTER FLIESS-EIGENSCHAFTEN</b>  | 45-12080<br>0.8mm (.030") |
| <b>LEICHT/MITTEL</b><br>15 - 20 Sekunden, Zahn 2<br>Farben, Lacke, dünne Lacke, Automobillacke                   | 45-12100<br>1.0mm (.040") |
| <b>MITTEL</b><br>20 - 30 Sekunden, Zahn 2<br>Allgemeine industrielle Lacke, Emaille, Epoxid, Feinkeramik         | 45-12120<br>1.2mm (.047") |
| <b>SCHWER</b><br>Mehr als 30 Sekunden, Zahn 2<br>Beschichtungen mit geringem VOC-Gehalt, Klebstoffe, Feinkeramik | 45-12140<br>1.4mm (.055") |

## MONTAGEANLEITUNG

Um optimale Übertragungswirksamkeit zu erreichen, wird empfohlen, dass nur der für das zu sprühende Material notwendige Druck angewandt wird.

### HINWEIS

Bei der Verwendung von HVLP sicherstellen, dass der auf Seite 5 aufgelistete Einlassdruck nicht überschritten wird.

1. Pistole mit einem Leitungsschlauch mit einem Innendurchmesser von mindestens 5/16 Zoll an eine saubere, trockene und ölfreie Luftversorgung anbringen.

### HINWEIS

Je nach Länge des Schlauchs kann ein Schlauch mit einem größeren Innendurchmesser notwendig sein. Bringen Sie am Spritzpistolengriff ein Luftdruckmessgerät an. Siehe Seite 5 für Betriebsdrücke. Es wird empfohlen, dass nur der für das zu sprühende Material notwendige Druck angewandt wird. Übermäßiger Druck schafft zusätzliches Übersprühen und reduziert die Übertragungswirksamkeit.

### HINWEIS

Wenn Schnellkupplungen erforderlich sind, nur Schnellkupplungen für hohe Fließraten verwenden, die zur Verwendung mit HVLP zugelassen sind. Andere Arten lassen nicht genügend Luft für den korrekten Spritzpistolbetrieb durch.

### HINWEIS

Wenn ein Luftregelventil am Spritzpistoleneinlass verwendet werden, Typ HAV-501 verwenden.

### HINWEIS

Vor der Verwendung der Spritzpistole sollte diese mit Lösungsmittel ausgespült werden, um sicherzugehen, dass die Flüssigkeitsleitungen sauber sind.

## BETRIEB

### SCHWERKRAFTMODELLE

1. Beschichtungsmaterial nach Anleitung des Herstellers mischen und abseihen.
2. Den Becher bis ca. 2 cm vom oberen Becherrand füllen.
3. Am Becherdeckel anbringen.
4. Flüssigkeitsreglerknopf (24) im Uhrzeigersinn drehen, um eine Bewegung der Flüssigkeitsnadel zu vermeiden.
5. Seitenanschlussregler (9) zur vollständigen Öffnung gegen den Uhrzeigersinn drehen.
6. Ggf. Einlassdruck einstellen.
7. Flüssigkeitsreglerknopf gegen den Uhrzeigersinn drehen, bis die erste Gewindelinie zu sehen ist.

8. Sprühtest vornehmen. Wenn das Finish zu trocken ist, Luftmenge durch die Reduzierung des Luftenlassdrucks reduzieren.
9. Wenn das Finish zu nass ist, den Flüssigkeitsfluss durch Drehen des Flüssigkeitsreglerknopfs (24) im Uhrzeigersinn reduzieren. Wenn das Sprühmuster zu grob ist, muss der Luftenlassdruck erhöht werden. Wenn es zu fein ist, muss der Einlassdruck reduziert werden.
10. Die Sprühmustergröße kann durch Drehen des Seitenanschlussreglers (9) im Uhrzeigersinn reduziert werden.
11. Pistole senkrecht zur besprühenden Oberfläche halten.
12. Die empfohlene Entfernung zwischen der Oberfläche und der Spritzpistole beträgt ca. 20 cm.
13. Immer zuerst die Kanten besprühen. Jedes Sprühen um mindestens 75% überlappen. Spritzpistole bei konstanter Geschwindigkeit bewegen.
14. Wenn die Spritzpistole nicht verwendet wird, Luftzufuhr abschalten und Druck ablassen.

## PRÄVENTIVMASSNAHMEN UND REINIGUNG

Zum Reinigen der Luftkappe und der Flüssigkeitsdüse das Äußere mit einer steifen Bürste abbürsten. Zur Reinigung der Kappenlöcher kann ein spitzer Gegenstand, wie ein Zahnstocher verwendet werden. Wenn Draht oder ein harter Gegenstand verwendet wird, vorsichtig vorgehen, damit die Oberfläche nicht zerkratzt oder die Löcher keine Gratspuren bekommen, was zu einem verzerrten Sprühmuster führen kann.

Zum Reinigen der Flüssigkeitsleitungen überschüssiges Material aus der Spritzpistole entfernen und diese dann mit einer speziellen Waschlösung waschen. Das Äußere der Spritzpistole mit einem feuchten Tuch abwischen. Die Spritzpistole niemals vollkommen in Lösungsmittel oder Reinigungsmittel eintauchen, weil das für den Schmierstoff schädlich ist und die Standzeit der Spritzpistole verkürzt.

### HINWEIS

Die Flüssigkeitsdüse (7) oder die Flüssigkeitsnadel sollten immer gemeinsam ausgewechselt werden. Bei der Verwendung von verschlissenen Teilen können Flüssigkeitslecks auftreten. Siehe Seite 4. Wechseln Sie zu diesem Zeitpunkt auch die Packung aus. Die Flüssigkeitsdüse mit einem Drehmoment von 170–180 inch-lbs festdrehen. Nicht zu fest anziehen.

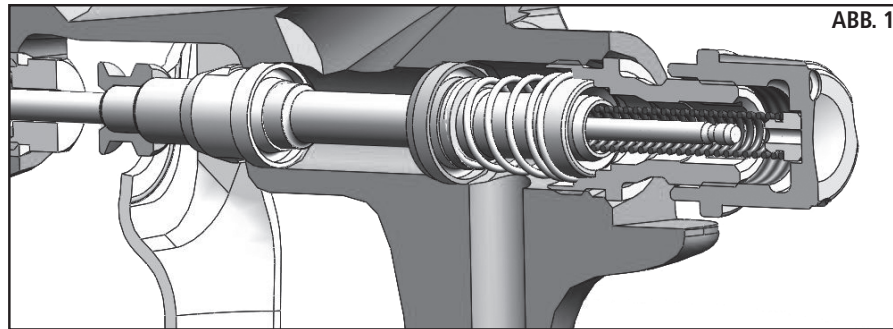
### ⚠ ACHTUNG

Um Schaden an der Flüssigkeitsdüse (7) oder der Flüssigkeitsnadel (22) zu vermeiden, sichergehen, dass entweder 1) der Auslöser gezogen und gehalten wird, während die Flüssigkeitsdüse festgezogen oder gelöst wird, oder 2) dass der Flüssigkeitsreglerknopf entfernt wird, (24) um den Federdruck am Nadelanatz zu reduzieren.

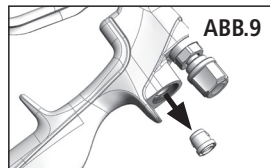
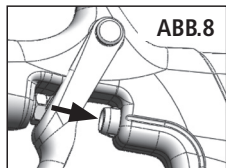
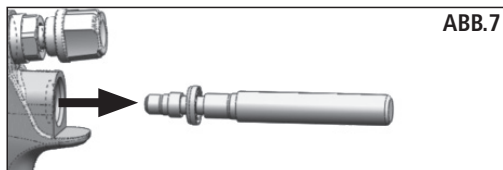
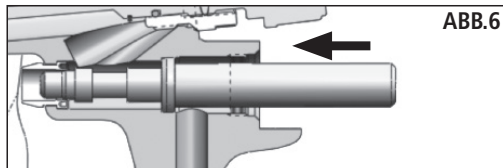
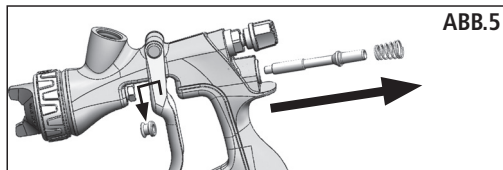
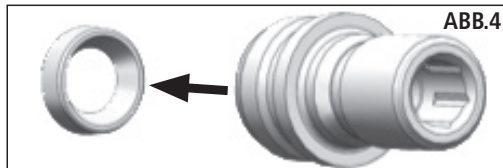
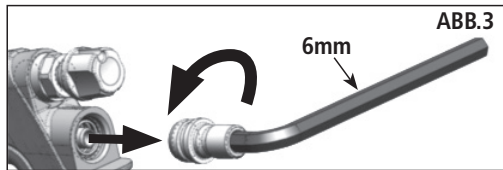
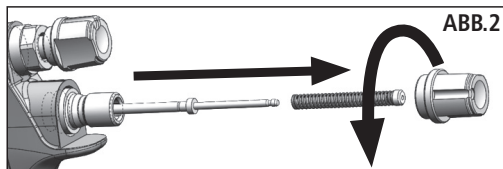
**SCHWERKRAFTBECHER.** Überschüssiges Material leeren und den Becher reinigen. Sicherzugehen, dass das Entlüftungsloch im Deckel frei ist.

# DEMONTAGE- UND MONTAGEVERFAHREN

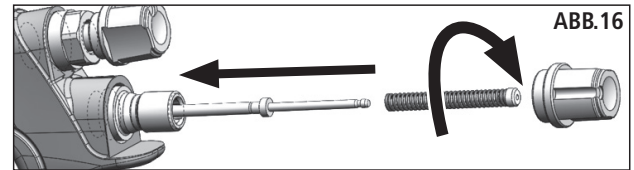
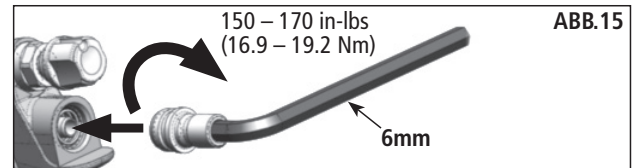
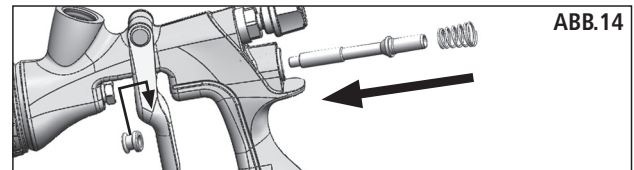
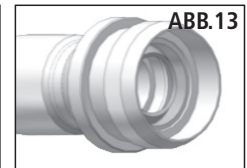
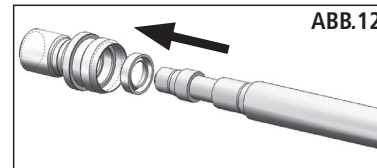
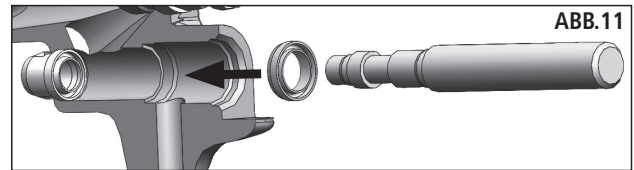
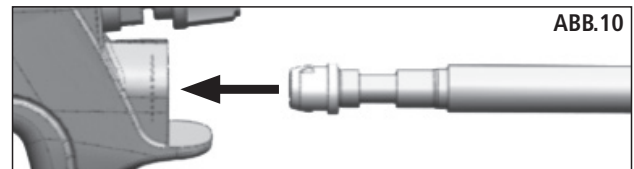
## NADEL- UND DÜSEN-DEMONTAGE UND MONTAGE



### DEMONTAGE

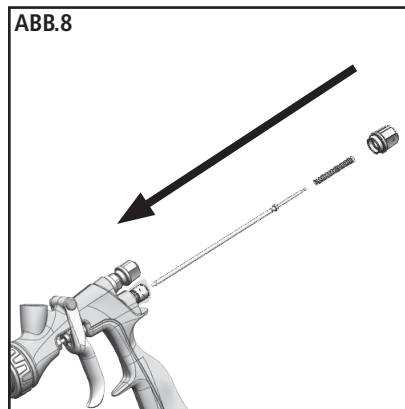
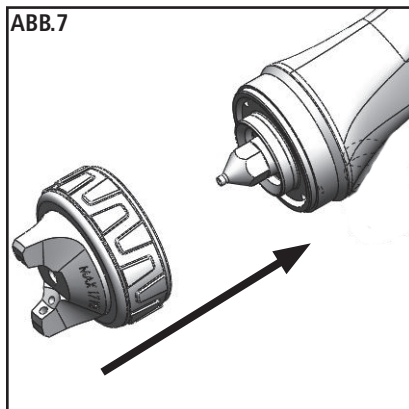
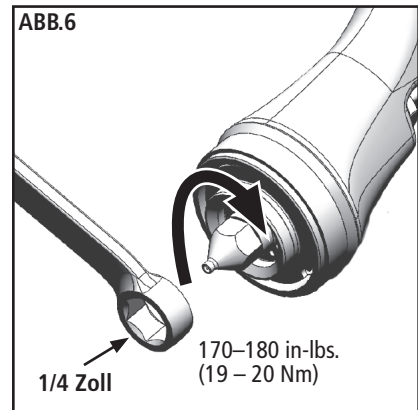
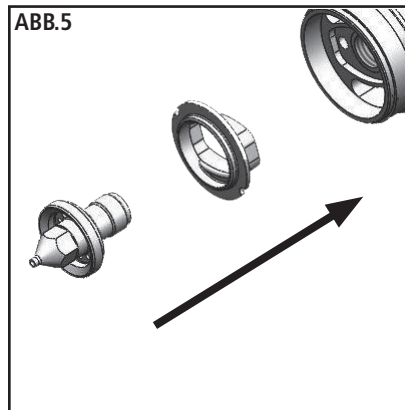
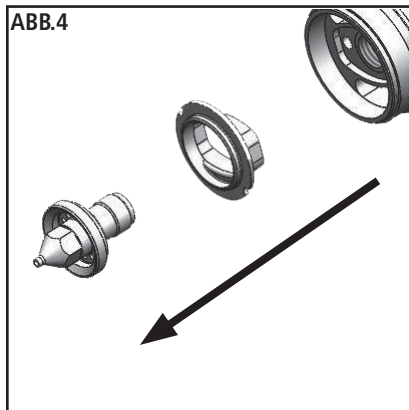
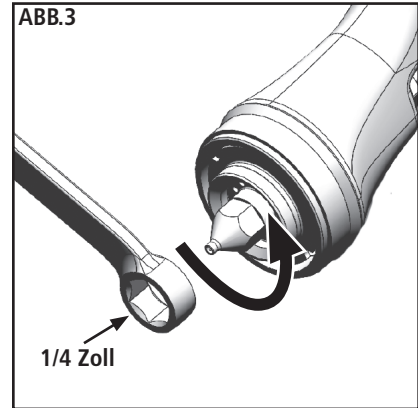
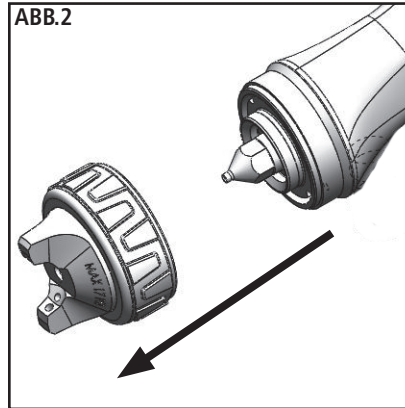
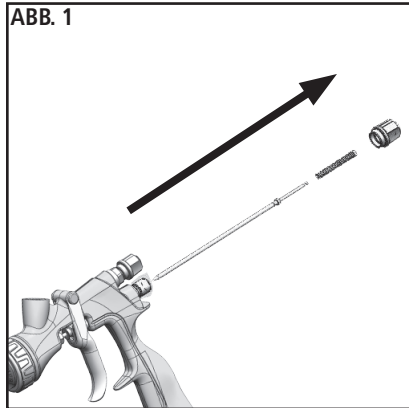


### MONTAGE



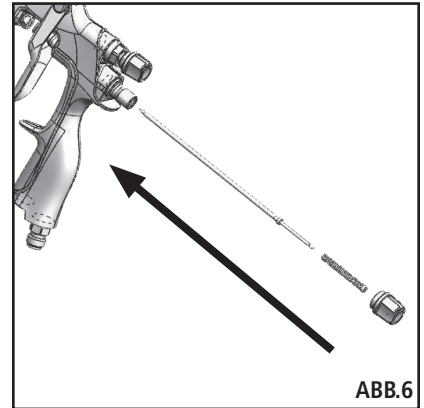
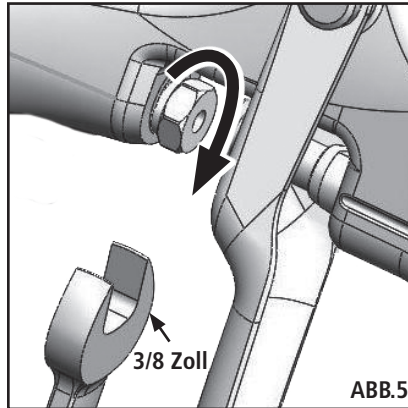
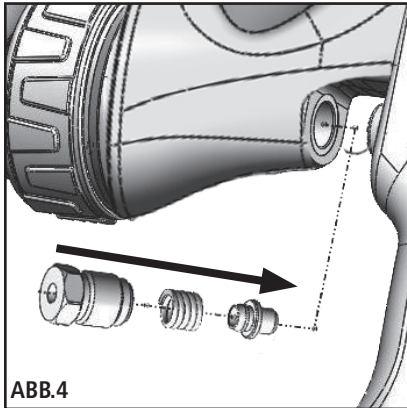
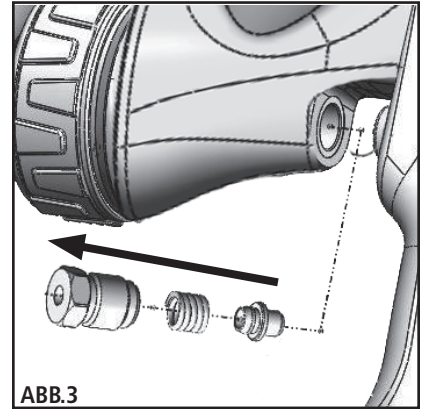
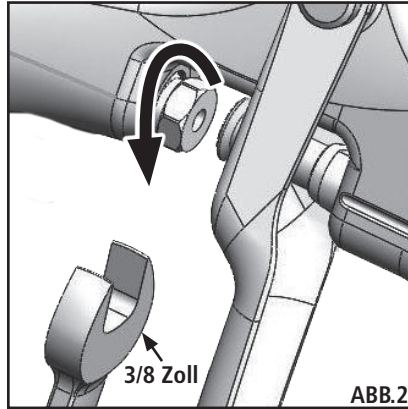
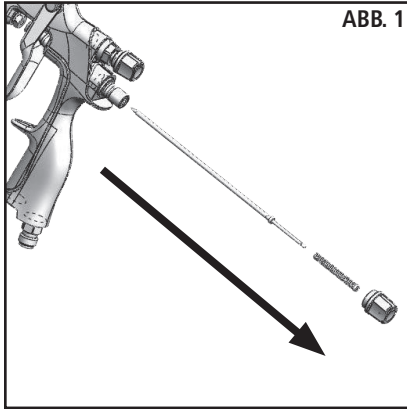


WARTUNG – FLÜSSIGKEITSDÜSEN- UND UMLENKBLECH-DEMONTAGE UND MONTAGE

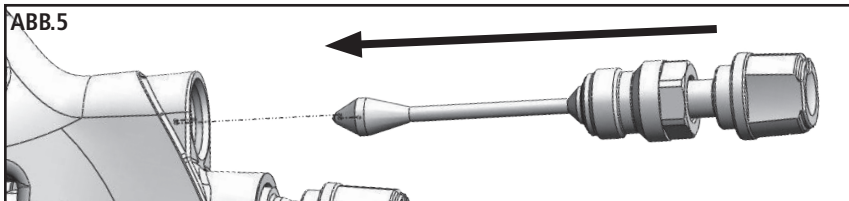
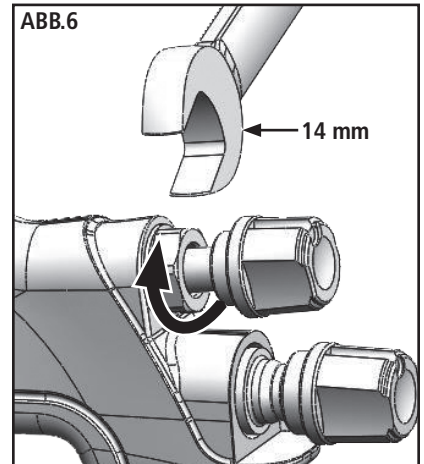
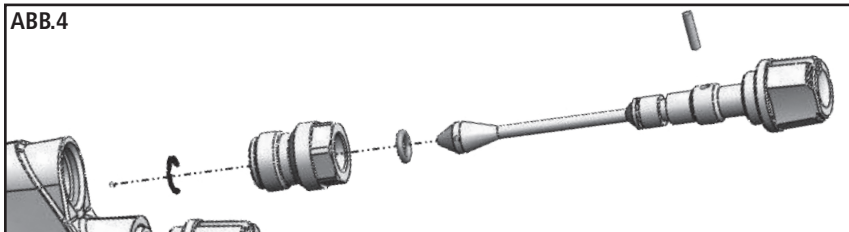
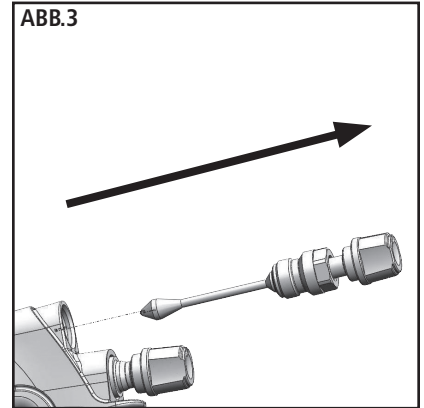
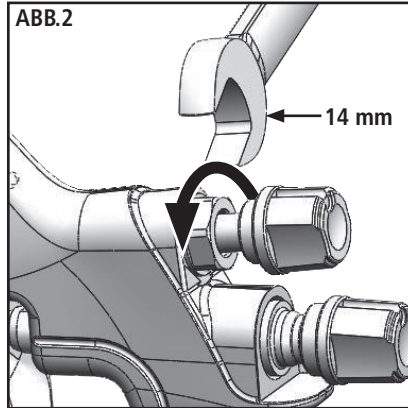
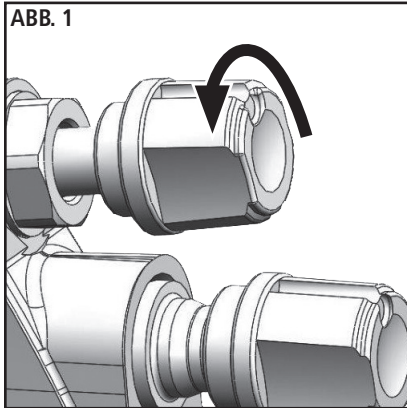









WARTUNG- NADELPACKUNGS-DEMONTAGE UND -MONTAGE



WARTUNG- SEITENANSCHLUSS-DEMONTAGE UND -MONTAGE



## FEHLERBEHEBUNG

| ZUSTAND  | URSACHE  | KORREKTUR   |
|--|--|---|
| <b>Starkes Muster oben oder unten</b><br>         | Hornlöcher verstopft<br>Verstopfung am oberen oder unteren Teil der Flüssigkeitsspitze.<br>Kappe und/oder Spitzenpassung verschmutzt.  | Sauber. Schliere mit nichtmetallischer Spitze.<br>Sauber.<br>Sauber.  |
| <b>Starkes Seitenmuster links oder rechts</b><br> | Hornlöcher links oder rechts verstopft.<br>Schmutz an der linken oder rechten Seite der Flüssigkeitsspitze.  | Sauber. Schliere mit nichtmetallischer Spitze.<br>Sauber.   |
|  | Methoden, um Sprühmuster zu korrigieren, die an der Oberseite, an der Unterseite, rechts oder links zu stark sind:<br>1. Bestimmen Sie, ob die Luftkappe oder die Flüssigkeitsspitze verstopft ist. Machen Sie dazu ein Test-Sprühbild. Drehen Sie dann die Kappe um eine halbe Drehung und machen Sie ein weiteres Test-Sprühbild. Wenn der Sprühfehler umgekehrt ist, ist die Luftkappe verstopft. Reinigen Sie die Luftkappe wie zuvor beschrieben.<br>2. Wenn der Sprühfehler nicht umgekehrt ist, ist die Flüssigkeitsdüse verstopft. Prüfen Sie die Kante der Flüssigkeitsspitze auf feine Gratschäden. Entfernen Sie den Grat mit trockenem oder nassem 600er Sandpapier.<br>3. Prüfen Sie die Öffnung auf angetrocknete Farbe und waschen Sie diese ggf. mit Lösungsmittel ab. |   |
| <b>Starkes Sprühbild Mitte</b><br>                | Zu viel Flüssigkeit für die Sprühluft.<br><br>Der Materialfluss überschreitet die Kapazität der:Luftkappe.<br>Streuerstellventil ist zu niedrig eingestellt.<br>Sprühdruk zu niedrig.<br>Material zu dick.   | Luftdruck und Flüssigkeitsfluss ausgleichen.<br>Spritzmusterbreite mithilfe des Streuerstellventils vergrößern.<br><br>Flüssigkeitsfließgeschwindigkeit verringern oder erhöhen.<br>Einstellen.<br>Druck erhöhen.<br>Auf die richtige Konsistenz verdünnen. |
| <b>Gespaltenes Spritzmuster</b><br>             | Sprühluftdruck zu hoch.<br>Flüssigkeit fließt zu langsam.<br><br>Streuerstellventil ist zu hoch eingestellt.   | Am Transformator oder an der Pistole reduzieren.<br>Flüssigkeitsfluss erhöhen (Spritzpistolenbetrieb beschleunigen)<br>Einstellen.  |
| <b>Zuckendes oder vibrierendes Sprühen</b><br>  | *Lose(r) oder beschädigte(r) Flüssigkeitsspitze/-ansatz.<br>Zu wenig Material.<br>Behälter zu weit geneigt.<br>Flüssigkeitsleitung verstopft.<br>Trockene oder lose Flüssigkeitsnadel-Packungsmutter.  | Festziehen oder auswechseln.<br>Wieder auffüllen.<br>Gerader halten.<br>Mit Lösungsmittel rückspülen.<br>Schmierer oder festziehen.   |
| <b>Kein rundes Sprühmuster</b>   | Streuerstellschraube sitzt nicht richtig.<br>Luftkappen-Haltering ist locker.  | Festziehen oder auswechseln.<br>Reinigen und auswechseln.   |
| <b>Sprüht nicht</b>  | Kein Luftdruck an der Pistole.<br><br>Flüssigkeitsnadelstellschraube nicht weit genug offen.<br>Flüssigkeit zu schwer für Schwerkraftzufuhr.   | Luftzufuhr und Leitungen prüfen und Pistolen-Luftleitungen durchblasen.<br>Flüssigkeitsnadelstellschraube öffnen.<br>Material verdünnen und/oder eine größere Spitze verwenden.   |
| <b>Farbblasen im Becher</b>  | Flüssigkeitsspitze sitzt nicht fest.   | Spitze festziehen.  |
| <b>Flüssigkeit leckt oder tropft vom Becherdeckel</b>  | Becherdeckel lose.<br>Schmutziges Gewinde im Becher oder Deckel.<br>Gesprungener Becher oder Deckel.   | Deckel festschrauben.<br>Sauber.<br>Becher oder Deckel auswechseln.   |

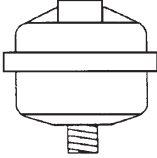
\*Häufigstes Problem..

## FEHLERBEHEBUNG

| ZUSTAND  | URSACHE  | KORREKTUR  |
|--|--|--|
| <b>Mangelndes Spritzmuster</b>   | Unzureichender Materialfluss.<br><br>Niedriger Sprühluftdruck.   | Flüssigkeitsstellschraube zur ersten Gewindelinie schrauben oder eine größere Spitze verwenden.<br>Luftdruck erhöhen und Spritzpistole wieder ausgleichen.   |
| <b>Übermäßiges Übersprühen</b>   | Zu hoher Sprühluftdruck.<br>Spritzpistole ist zu weit von der Arbeitsoberfläche entfernt.<br>Unsachgemäße Streichbewegungen (Bogenbildung, zu schnell).  | Druck reduzieren.<br>Auf die richtige Entfernung einstellen.<br><br>Langsam und parallel zur Arbeitsoberfläche arbeiten.   |
| <b>Zu viel Sprühnebel</b>  | Zu viel Verdünnungsmittel oder Verdünnungsmittel trocknet zu schnell.<br>Zu hohe Sprühkraft (Luftdruck).   | Material entsprechend neu mischen.<br><br>Luftdruck reduzieren.  |
| <b>Trockenes Sprühen</b>   | Luftdruck zu hoch.<br>Pistolenspitze ist zu weit von der Arbeitsoberfläche entfernt.<br>Pistole wird zu schnell bewegt.<br>Pistole ist nicht richtig eingestellt.  | Luftdruck reduzieren.<br>Auf die richtige Entfernung einstellen.<br><br>Langsamer sprühen.<br>Einstellen.  |
| <b>Flüssigkeit leckt von der Packungsmutter</b>                            | Packungsmutter ist lose.<br>Packung verschlissen oder trocken.   | Festziehen, aber Nadel nicht einklemmen.<br>Auswechseln oder schmieren.  |
| <b>Flüssigkeit leckt oder tropft von der Vorderseite der Spritzpistole</b> | Packungsmutter sitzt zu fest.<br>Trockenlauf.<br>Flüssigkeitsspitze oder -nadel verschlissen oder beschädigt.<br>Fremdkörper in der Spitze.<br>Flüssigkeitsnadelspitze ist abgebrochen.<br>Falsche Nadelgröße oder Nadelspitze.  | Einstellen.<br>Schmieren.<br>Spitze und Nadel auswechseln.<br><br>Saubere.<br>Auswechseln.<br>Auswechseln.   |
| <b>Flüssigkeit tropft oder leckt vom Becherboden</b>                       | Becher wurde nicht fest an der Spritzpistole angebracht.<br>Becherdichtung verschlissen oder fehlt.<br>Bechergewinde schmutzig.  | Festziehen.<br><br>Becherdichtung auswechseln.<br>Reinigen.  |
| <b>Unebene Farbschichten</b>   | Zu starker Materialfluss.<br>Material zu dünn.<br>Spritzpistole wird in einem Winkel geschwenkt oder Spritzpistole wird zu langsam bewegt.   | Spritzpistole einstellen oder Flüssigkeitsfluss reduzieren.<br>Richtig mischen oder dünne Schichten auftragen.<br>Spritzpistole im richtigen Winkel halten und die richtige Technik anwenden.  |
| <b>Dünnes, sandig grobes Finish trocknet bevor es austritt</b>             | Spritzpistole ist zu weit von der Arbeitsoberfläche entfernt.<br>Zu hoher Luftdruck.<br>Falsches Verdünnungsmittel.  | Entfernung prüfen. Normalerweise rund 20 cm.<br><br>Luftdruck reduzieren und Sprühmuster prüfen.<br>Mischanweisungen des Lackherstellers befolgen.   |
| <b>Dickes Orangenhaut-Finish</b>   | Spritzpistole ist nahe an der der Arbeitsoberfläche.<br>Zu viel Material wird grob versprüht.<br>Luftdruck zu niedrig.<br>Falsches Verdünnungsmittel.<br>Material nicht richtig gemischt.<br>Raue, ölige, schmutzige Oberfläche. | Entfernung prüfen. Normalerweise rund 20 cm.<br>Mischanweisungen des Lackherstellers befolgen.<br>Luftdruck erhöhen und Flüssigkeitsfluss reduzieren.<br>Mischanweisungen des Lackherstellers befolgen.<br>Mischanweisungen des Lackherstellers befolgen.<br>Richtig reinigen und vorbereiten. |

ZUBEHÖR

**HAF-507-K12 Whirlwind™ In-Line Luftfilter Satz mit 12**




Entfernt Wasser, Öl und Schmutz aus der Luftleitung.

**192212 Professionelles Spritzpistolen Reinigekit**




Enthält sechs Präzisionswerkzeuge, die alle DeVilbiss, Binks Finishline und andere Marken-Spritzpistolen wirksam reinigen.

**6-429 Binks Gunners Mate Schmierstoff (Zwanzig 2 oz. Flaschen)**



Kompatibel mit allen Lackmaterialien; enthält kein Silikon oder Petroleumdestillate, die den Lack kontaminieren könnten. Sicherheitsdatenblätter auf Anfrage erhältlich.

**HAV-500 OR HAV-501 Stellventil (HAV-501 ABGEBILDET)**



HAV-500 hat kein Druckmessgerät. Zur Kontrolle der Luftmenge an der Spritzpistole verwendet.

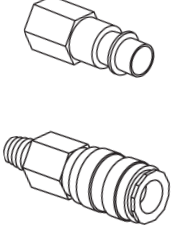
**Millennium 3000 Twin Cartridge Farbspray-Doppel-Atemschutzmaske**



NIOSH-zertifiziert für Atemschutz in Atmosphären, die keine unverzügliche Lebensgefahr darstellen.

|        |        |        |
|--------|--------|--------|
| Klein  | Mittel | Groß   |
| 40-141 | 40-128 | 40-143 |

**Schnellverbindungen für HVLP-Spritzpistolen (Luft) Hoher Durchfluss**




HC-4419 Stange 1/4" NPT(F) Pistolende  
HC-4719 Verbindungsteil 1/4" NPT(M) Schlauchende

**29-3100 Scrubs® Handreinigungstücher**



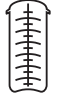

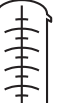














Scrubs® sind feuchte Handreinigungstücher für Maler, Reparateure und Mechaniker, die Sie immer bei sich tragen können und für die kein Wasser notwendig ist.

**Optionale Schwerkraftbecher**



**81-381 8 oz. Aluminiumbecher (abgebildet)**  
**SRI-510 4 oz. Acetalbecher**

**DeKups® Zubehör für Schwerkraftzufuhrbecher**

|   |  |   |  |   |   |
|---|--|---|--|---|---|
| <b>DPC-60-K10</b><br>9oz Universal<br>x10   | <b>DPC-59-K10</b><br>24oz Universal<br>x10   | <b>DPC-61-K10</b><br>34oz Universal<br>x10  | <b>125 µm DPC-42-K24</b><br>x24  | <b>200 µm DPC-66-K24</b><br>x24   | <b>DPC-6-K10</b><br>x10   |
|  |   |  |   |  |  |
| <b>125 µm DPC-65-K24</b><br>x24   | <b>200 µm DPC-67-K24</b><br>x24  |   |  |   | <b>DPC-22-K24</b><br>x24  |
|  |  |   |  |   |  |
| <b>DPC-607</b><br>x2  | <b>DPC-606</b><br>x2   | <b>DPC-608</b><br>x2  | <b>9 FL 265 mL DPC-602</b><br>x32  | <b>24 FL 710 mL DPC-601</b><br>x32  | <b>DPC-44</b>   |
|  |   |  |   |  |  |
|   |  |   | <b>34 FL 1000 mL DPC-600</b><br>x32  |   | <b>DPC-23</b>   |
|   |  |   |  |   |  |
| <b>HÜLLEN</b>   |  |   | <b>EINSÄTZE</b>  |   |   |

HINWEISE

## GARANTIE

Carlisle Fluid Technologies erteilt für Binks-Produkte eine beschränkte Garantie von einem Jahr für Material und Verarbeitung. Bei der Verwendung von Teilen oder Zubehör von einem anderen Hersteller als Carlisle Fluid Technologies erlöschen alle Garantien. Spezifische Garantieinformationen erhalten Sie von den nachstehend aufgelisteten Carlisle Fluid Technologies -Niederlassungen in Ihrer Nähe.

Carlisle Fluid Technologies behält sich das Recht vor, die Gerätespezifikationen ohne vorherige Benachrichtigung zu ändern. DeVilbiss®, Ransburg®, MS®, BGK® und Binks® sind eingetragene Warenzeichen von Carlisle Fluid Technologies, Inc. ©2016 Carlisle Fluid Technologies, Inc. Alle Rechte vorbehalten.



Binks gehört zur Carlisle Fluid Technologies, ein global führender Konzern im Bereich innovativer Endbearbeitungstechnologien. Für technische Hilfe oder um einen autorisierten Händler zu finden, können Sie einen unserer internationalen Verkaufs- und Kundenservice-Standorte kontaktieren.

### USA/Kanada

info@carlisleleft.com  
Tel: 1-888-992-4657  
Fax: 1-888-246-5732

### Mexiko

ventas@carlisleleft.com.mx  
Tel: 011 52 55 5321 2300  
Fax: 011 52 55 5310 4790

### Brasilien

vendas@carlisleleft.com.br  
Tel: +55 11 5641 2776  
Fax: 55 11 5641 1256

### Vereinigtes Königreich

info@carlisleleft.eu  
Tel: +44 (0)1202 571 111  
Fax: +44 (0)1202 573 488

### Frankreich

info@carlisleleft.eu  
Tel: +33(0)475 75 27 00  
Fax: +33(0)475 75 27 59

### Deutschland

info@carlisleleft.eu  
Tel: +49 0 6074 403 1  
Fax: +49 0 6074 403 281

### China

mkt@carlisleleft.com.cn  
Tel: +8621-3373 0108  
Fax: +8621-3373 0308

### Japan

overseas-sales@carlisleleft.co.jp  
Tel: 081 45 785 6421  
Fax: 081 45 785 6517

### Australien

sales@carlisleleft.com.au  
Tel: +61 0 2 8525 7555  
Fax: +61 0 2 8525 7575

Für die neuesten Informationen über unsere Produkte, besuchen [www.carlisleleft.com](http://www.carlisleleft.com).





# SERIE "TROPHY" BINKS

## HVLP E LVMP ALIMENTAZIONE A GRAVITÀ

### PISTOLE A SPRUZZO PER RITOCCHI

**BINKS®**

(1466-XXXX-XXX)

CE  II 2 G X

La pistola a spruzzo alimentata a gravità per ritocchi serie Trophy Binks è la pistola a spruzzo ideale per l'uso in applicazioni a pressione per ritocchi e piccoli lavori e definisce un nuovo standard per durabilità, ergonomia e atomizzazione. Il modello ergonomico leggero offre comfort e controllo senza pari. È stata incorporata l'ultima tecnologia all'avanguardia per ottenere finiture costanti, di ottima qualità per applicazioni che usano un'ampia gamma di rivestimenti industriali.

Le pistole a spruzzo alimentate a gravità per ritocchi serie Trophy Binks sono disponibili in due diverse tecnologie di atomizzazione: HVLP e LVMP.



#### SPECIFICHE TECNICHE

Le pistole a spruzzo serie HVLP Trophy possono essere usate per funzionare ad alte efficienze di trasferimento in conformità con la normativa ecologica della "California South Coast Air Quality Management District" (Distretto di tutela della qualità dell'aria della costa meridionale della California) come pistole a pressione ad alto volume, bassa pressione.

|                                |                              |
|--------------------------------|------------------------------|
| Massima pressione aria         | 100 psi / 6,9 bar (P-1)      |
| Corpo della pistola            | Alluminio anodizzato         |
| Percorso del fluido            | Acciaio inox                 |
| Dimensioni ingresso fluido     | 7/16 - 14(f)                 |
| Dimensioni ingresso aria       | 1/4" NPS / BSP(m)            |
| Peso pistola (senza serbatoio) | 12 once / 348 grammi         |
| Parti bagnate (pistola)        | Acciaio inox e PTFE          |
| Parti bagnate (serbatoio)      | Alluminio e ottone platinato |

### IMPORTANTE NON DISTRUGGERE

Il cliente deve fare leggere attentamente questo manuale a tutti gli operatori e al personale addetto alla manutenzione. Rivolgersi al rappresentante Binks di zona per richiedere copie aggiuntive di questo manuale.

**LEGGERE TUTTE LE ISTRUZIONI PRIMA DI USARE QUESTO PRODOTTO BINKS.**

In questo listino parti, le parole **AVVERTENZA**, **ATTENZIONE** e **NOTA** sono usate per segnalare importanti informazioni cautelative, nel seguente modo:

## AVVERTENZA

Rischi e pratiche pericolose che potrebbero dare luogo a gravi infortuni, morte o seri danni a proprietà.

## ATTENZIONE

Rischi e pratiche pericolose che potrebbero dare luogo a infortuni non gravi, danni al prodotto o alla proprietà.

## NOTA

Informazioni importanti sull'installazione, l'uso o la manutenzione.

# AVVERTENZA

Leggere le seguenti avvertenze prima di usare questo apparecchio.



### LEGGERE QUESTO MANUALE

Prima di usare apparecchi di finitura, leggere attentamente tutte le informazioni sulla sicurezza, l'uso e la manutenzione incluse nel manuale d'uso.



### INDOSSARE PROTEZIONE OCULARE

Se non si usa protezione oculare con schermi laterali si rischiano gravi lesioni oculari o cecità.



### DISECCITARE, DEPRESSURIZZARE, SCOLLEGARE E BLOCCARE TUTTE LE FONTI DI ALIMENTAZIONE DURANTE LA MANUTENZIONE

Se non si diseccitano, depressurizzano, scollegano e bloccano tutte le fonti di alimentazione prima di eseguire interventi di manutenzione sugli apparecchi si rischiano gravi infortuni o morte.



### FORMAZIONE DEGLI OPERATORI

Tutto il personale deve completare l'appropriata formazione prima di usare apparecchi di finitura.



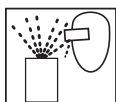
### RISCHI DELL'USO ERRATO DEGLI APPARECCHI

L'uso errato degli apparecchi può causare la rottura, guasti o avviamento imprevisto degli apparecchi con conseguenti gravi infortuni.



### TENERE IN POSIZIONE LE PROTEZIONI DEGLI APPARECCHI

Non usare l'apparecchio se i dispositivi di sicurezza sono stati rimossi.



### RISCHIO DI LANCIO DI OGGETTI

Si può essere feriti da liquidi o gas liberati sotto pressione o detriti lanciati nell'aria.



### PUNTO AD ALTO RISCHIO

Parti in movimento possono schiacciare e tagliare. I punti ad alto rischio sono praticamente tutte le zone in cui vi sono parti in movimento.



### CONTROLLARE GLI APPARECCHI OGNI GIORNO

Verificare che non vi siano parti logorate o rotte ogni giorno. Non usare l'apparecchio se non si è sicuri delle sue condizioni.



### NON MODIFICARE MAI L'APPARECCHIO

Non modificare l'apparecchio a meno che non sia stato approvato per iscritto dal produttore.



### SAPERE DOVE E COME SPEGNERE L'APPARECCHIO IN CASO DI EMERGENZE.



### METODO DI SFIATO DELLA PRESSIONE

Seguire sempre il metodo di sfiato della pressione descritto nel manuale d'uso.



### RISCHIO DA RUMORE

L'udito può essere danneggiato da forte rumore. Può essere necessaria protezione acustica quando si usa questo apparecchio.



### CARICA STATICA

Il fluido può sviluppare una carica statica che deve essere dissipata attraverso la messa a terra idonea dell'apparecchio, di oggetti da spruzzare e tutti gli altri oggetti a conduzione elettrica nell'area di lavoro. La messa a terra inadeguata o scintille possono creare una condizione di rischio e dare luogo a incendi, esplosione o elettrocuzione e altri seri infortuni.



### RISCHIO DI INCENDIO ED ESPLOSIONI

Non usare mai tricloretano, cloruro di metilene, altri solventi a base di idrocarburi alogenati o fluidi che contengono tali solventi in apparecchi con parti in alluminio bagnate. Questo tipo di utilizzo può generare una reazione chimica grave con il rischio di esplosione. Consultare il fornitore del fluido per assicurarsi che i fluidi usati siano compatibili con le parti di alluminio.



CA PROP  
65

### AVVERTENZA PROP 65

AVVERTENZA Questo prodotto contiene agenti chimici che nello Stato della California sono considerati causare cancro e anomalie congenite o altri danni all'apparato riproduttivo.

SPETTA AL DATORE DI LAVORO FORNIRE QUESTE INFORMAZIONI ALL'OPERATORE DELL'APPARECCHIO.

PER ULTERIORI INFORMAZIONI SULLA SICUREZZA RELATIVE AGLI APPARECCHI BINKS E DEVILBISS, CONSULTARE L'OPUSCOLO GENERALE PER LA SICUREZZA DEGLI APPARECCHI (77-5300).

## Dichiarazione di conformità EC

Prodotto Da: Carlisle Fluid Technologies  
320 Philips Ave.  
Toledo, OH 43612

Tipo/Serie: Pistole a spruzzo manuali

Modello: Serie "Trophy" Binks

L'apparecchio a cui si riferisce questo documento è conforme alle seguenti norme o altri riferimenti normativi:

**BS EN ISO 12100:2010** e **BS EN 1953:1998 + A1:2009** e, di conseguenza, conforme ai requisiti di protezione della Direttiva Macchine 2006/42/CE del Parlamento europeo e del Consiglio sulla sicurezza delle macchine, e;

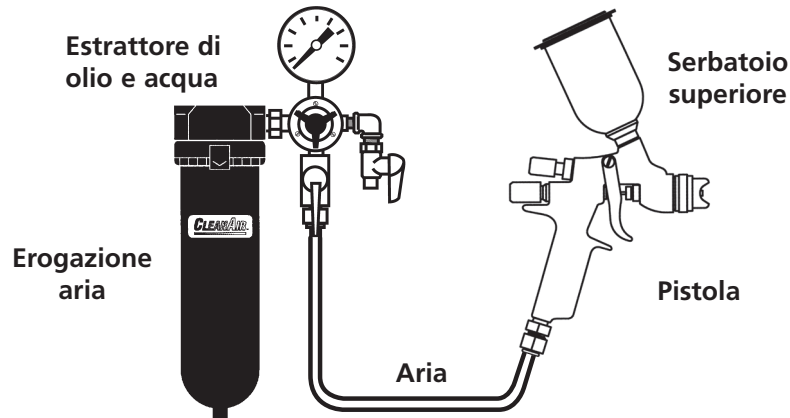
**BS EN 13463-1:2009**, Direttiva 94/9/EC del Parlamento europeo e del Consiglio concernente apparecchi e sistemi di protezione destinati a essere utilizzati in atmosfera potenzialmente esplosiva II 2 G X.

Approvato da: Marvin Burns Data: 1 agosto 2013  
Binks



Binks si riserva il diritto di modificare le specifiche tecniche dell'apparecchio senza previo avviso.

## TIPI DI INSTALLAZIONE



La pressione dell'aria per l'atomizzazione è regolata in corrispondenza dell'estrattore. Il flusso del fluido viene regolato dalla manopola di controllo della valvola del fluido sulla pistola, dalla viscosità della vernice e dalla pressione dell'aria.

### CONNESSIONE DELL'ALIMENTAZIONE A GRAVITÀ


Sulle pistole a spruzzo con alimentazione a gravità il serbatoio si trova sopra la pistola. La forza di gravità spinge il fluido nella pistola.

Vantaggi: questo metodo consente rapidi cambiamenti di colore e convenienza per lavori piccoli o di ritocco. Le pistole a spruzzo con serbatoio superiore possono usare tutto il rivestimento – riducendo sprechi.


### PRESSIONE DELL'ARIA

La pressione di atomizzazione deve essere impostata correttamente per consentire la caduta di pressione dell'aria fra il regolatore e la pistola a spruzzo.

**CON 60 PSI APPLICATI ALL'EROGAZIONE DELL'ARIA**




5/16"



1/4"

*Sezione che mostra il confronto dei diametri interni dei tubi flessibili (dimensioni effettive). 60 lb di pressione regolata*

**RACCOMANDATO**  
48 PSI all'ingresso della pompa  
Un tubo flessibile da 25 piedi (7,6 metri) e 5/16" (0,8 cm) di diametro interno causa una caduta di pressione di 12 PSI fra l'erogazione dell'aria e la pistola.  
Per questo motivo, Binks raccomanda l'uso di un tubo da 5/16".



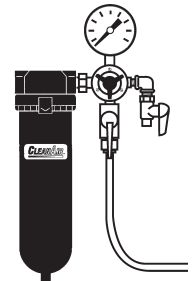
**NON RACCOMANDATO**  
Solamente 34 PSI all'ingresso della pompa  
Un tubo flessibile da 25 piedi (7,6 metri) e 1/4" (0,6 cm) di diametro interno causa una caduta di pressione di 26 PSI fra l'erogazione dell'aria e la pistola.

### Un estrattore di olio e acqua è un elemento importante.

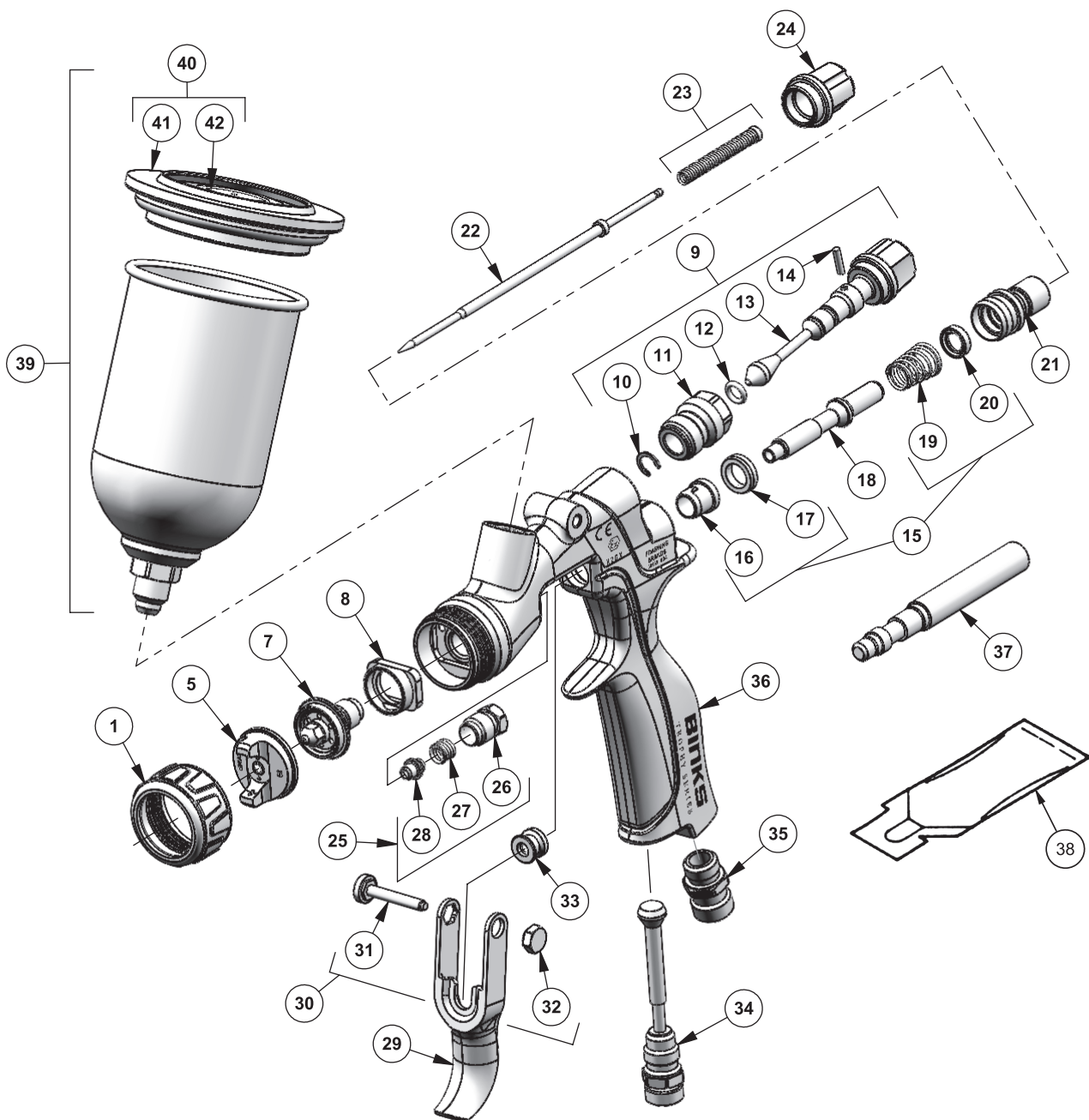
Ottenere una finitura fine di vernice senza usare un buon estrattore di olio e acqua è praticamente impossibile.

Un regolatore/estrattore ha un doppio scopo. Elimina la formazione di bollicine e chiazze mantenendo l'aria libera da olio e acqua e consente un controllo della pressione preciso in corrispondenza della pistola.

Usare estrattori di olio e acqua e regolatori DeVilbiss. Rivolgersi al distributore di zona per i modelli.



## PISTOLA A SPRUZZO ALIMENTATA A GRAVITÀ PER RITOCCHI SERIE "TROPHY" BINKS



## GUIDA ALLA SELEZIONE DELLE PISTOLE A SPRUZZO ALIMENTATE A GRAVITÀ PER RITOCCHI SERIE "TROPHY" BINKS

| TIPO DI FLUIDO DA SPRUZZARE  | CODICE GRUPPO COMPLETO PISTOLA | UGELLO FLUIDO E CAPPUCCHIO ARIA | TECNOLOGIA SPRUZZO |
|--|--------------------------------|---------------------------------|--------------------|
| <b>LEGGERO/MEDIO</b><br>15 - 20 secondi, Zahn 2<br>Coloranti, vernici, lacche diluite,<br>materiali di finitura per l'industria<br>automobilistica | 1466-10LV-A1S                  | 1,0 mm X A1                     | CIRCOLARE          |
|  | 1466-10LV-B1S                  | 1,0 mm X B1                     | LVMP               |
|  | 1466-10HV-C1S                  | 1,0 mm X C1                     | HVLP               |
| <b>MEDIO</b><br>20 - 30 secondi, Zahn 2<br>Rivestimenti industriali generali,<br>smalti, resine epossidiche,<br>ceramiche a grana fine             | 1466-12LV-B1S                  | 1,2 mm X B1                     | LVMP               |
|  | 1466-12HV-C1S                  | 1,2 mm X C1                     | HVLP               |

**TABELLA 1 LISTINO PARTI DELLA PISTOLA A SPRUZZO ALIMENTATA A GRAVITÀ PER RITOCCHI SERIE "TROPHY" BINKS**

| ARTICOLO N. | CODICE                 | DESCRIZIONE  | QTÀ | ARTICOLO N. | CODICE    | DESCRIZIONE  | QTÀ |
|-------------|------------------------|--|-----|-------------|-----------|--|-----|
| 1           | 54-6211                | GRUPPO ANELLO DI FERMO CAPPUCCIO ARIA                  | 1   | 23          | 54-6223-K | <input type="checkbox"/> GRUPPO MOLLA/CUSCINETTO   | 1   |
| 5           | CFR. TABELLE QUI SOTTO | CAPPUCCIO ARIA   | 1   | 24          | 54-6111   | MANOPOLA – REGOLAZIONE AGO                         | 1   |
| 7           | CFR. TABELLE QUI SOTTO | UGELLO FLUIDO  | 1   | 25          | 54-6130-K | <input type="checkbox"/> KIT GIUNTO AGO            | 1   |
| 8           | 54-6215-K5             | DEFLETTORE/SEPARATORE (KIT DI 5)                       | 1   | 26          | -----     | ■ DADO - GIUNTO                                    | 1   |
| 9           | 54-6216                | GRUPPO VALVOLA PORTA LATERALE                          | 1   | 27          | -----     | ■ MOLLA PER GIUNTO                                 | 1   |
| 10          | -----                  | +<br>Δ CLIP DI FERMO                                   | 1   | 28          | -----     | ■<br>▼ GIUNTO AGO                                  | 1   |
| 11          | -----                  | + BOCCOLA CORPO  | 1   | 29          | 54-6218   | GRILLETTO  | 1   |
| 12          | -----                  | +<br>Δ O-RING  | 1   | 30          | 54-6228-K | KIT DADO VITE GRILLETTO                            | 1   |
| 13          | -----                  | + STELO PORTA LATERALE                                 | 1   | 31          | -----     | ○ VITE GRILLETTO                                   | 1   |
| 14          | -----                  | +<br>Δ CHIODO  | 1   | 32          | -----     | ○ DADO GRILLETTO                                   | 1   |
| 15          | 54-6131-K              | <input type="checkbox"/> KIT MANUTENZIONE VALVOLA ARIA | 1   | 33          | 54-3513   | CAPPUCCIO ALBERO                                   | 1   |
| 16          | -----                  | ● SIGILLO ANTERIORE – VALVOLA ARIA                     | 1   | 34          | JJ-42     | GRUPPO VALVOLA DI REGOLAZIONE ARIA                 | 1   |
| 17          | -----                  | ● SIGILLO VALVOLA ARIA ANTERIORE                       | 1   | 35          | JJ-30     | RACCORDO - INGRESSO ARIA                           | 1   |
| 18          | 54-6220                | <input type="checkbox"/> ALBERO VALVOLA ARIA           | 1   | 36          | -----     | CORPO PISTOLA                                      | 1   |
| 19          | -----                  | ● MOLLA VALVOLA ARIA                                   | 1   | 37          | -----     | ATTREZZO – INSERIMENTO SIGILLO                     | 1   |
| 20          | -----                  | ● SIGILLO POSTERIORE – VALVOLA ARIA                    | 1   | 38          | -----     | GUNNER'S MATE (TUBO DA 3 CC)                       | 1   |
| 21          | SN-66                  | CARCASSA   |     | 39          | 54-4458   | GRUPPO SERBATOIO SUPERIORE 4 ONCE (113, 40 GRAMMI) | 1   |
| 22          | 47-6851                | AGO - ACCIAIO INOX (STANDARD)                          | 1   | 40          | 54-4459   | * GRUPPO COPERCHIO                                 | 1   |
|             | 47-6852                | AGO – PUNTA DI PLASTICA                                | 1   | 41          | -----     | COPERCHIO SERBATOIO                                | 1   |
|             |                        |  |     | 42          | -----     | COPERCHIO SERBATOIO                                | 1   |

**TABELLA 2 OPZIONI CAPPUCCIO ARIA**

| DESIGNAZIONE | TECNOLOGIA ATOMIZZAZIONE | CODICE   |
|--------------|--------------------------|----------|
| A1           | Spruzzatura circolare    | 46-10020 |
| B1           | LVMP                     | 46-10010 |
| C1           | HVLP                     | 46-10000 |

KIT DI TEST HVLP PER CAPPUCCIO ARIA C1 54-6226

**TABELLA 3 PRESSIONI ARIA E FLUSSI HVLP**

| PRESSIONE INGRESSO PISTOLA (PSI) | FLUSSO ARIA CAPPUCCIO ARIA (SCFM) | PRESSIONE ATOMIZZAZIONE CAPPUCCIO ARIA (PSI) |
|----------------------------------|-----------------------------------|--|
| 5                                | 2,5                               | 2  |
| 10                               | 4,0                               | 4  |
| 15                               | 5,1                               | 7  |
| 21                               | 6,4                               | 10   |

LA PRESSIONE IN INGRESSO DELLA PISTOLA VIENE MISURATA IN CORRISPONDENZA DEL RACCORDO DELL'INGRESSO DELLA PISTOLA, CON IL GRILLETTO ATTIVATO.

**TABELLA 4 PRESSIONI E FLUSSI ARIA LVMP**

| PRESSIONE INGRESSO PISTOLA (PSI) | FLUSSO ARIA CAPPUCCIO ARIA (SCFM) |
|----------------------------------|-----------------------------------|
| 15                               | 4,7                               |
| 20                               | 5,8                               |
| 25                               | 6,9                               |
| 30                               | 7,8                               |

- + PARTI INCLUSE NEL 54-6216
- PARTI INCLUSE NEL 54-6130-K
- PARTI INCLUSE NEL 54-6131-K
- PARTI INCLUSE NEL 54-6228-K
- Δ KIT DI RIPARAZIONE PORTA LATERALE GTI-428-K5
- ▼ ANCHE DISPONIBILE IN KIT DI 3: SN-2-KR
- \* DISPONIBILE NEL KIT 54-4539 (SET DI 3)
- PARTI INCLUSE NEL 54-6136

**TABELLA 5: OPZIONI UGELLI FLUIDO ACCIAIO INOX INDURITO**

| MATERIALE  | CODICE/FORO                |
|--|----------------------------|
| <b>MOLTO LEGGERO/<br/>FLUSSO RIDOTTO</b>   | 45-12080<br>0,8mm (0,030") |
| <b>LEGGERO/MEDIO</b><br>15 – 20 secondi, Zahn 2<br>Coloranti, vernici, lacche diluite,<br>materiali di finitura per l'industria<br>automobilistica | 45-12100<br>1,0mm (0,040") |
| <b>MEDIO</b><br>20 – 30 secondi, Zahn 2<br>Rivestimenti industriali generali,<br>smalti, resine epossidiche,<br>ceramiche a grana fine             | 45-12120<br>1,2mm (0,047") |
| <b>PESANTE</b><br>Maggiore di 30 secondi, Zahn 2<br>Rivestimenti a basso VOC, adesivi,<br>ceramiche a grana fine                                   | 45-12140<br>1,4mm (0,055") |

## ISTRUZIONI PER L'INSTALLAZIONE

Per una massima efficienza di trasferimento, non usare più pressione di quanta necessaria per atomizzare il materiale da applicare.

### NOTA

Quando si usa HVLP non superare le pressioni in ingresso elencate a pagina 5.

1. Collegare la pistola a una fonte d'aria pulita, priva di umidità e olio usando un tubo flessibile conduttivo di almeno 5/16" (0,8 cm) di diametro interno.

### NOTA

A seconda della lunghezza del tubo, può essere necessario un tubo di diametro interno maggiore. Installare un manometro della pressione dell'aria sull'impugnatura della pistola. Vedere a pagina 5 le pressioni di servizio. Non usare più pressione di quanta necessaria per atomizzare il materiale da applicare. Una pressione eccessiva creerà una spruzzatura eccessiva riducendo l'efficienza di trasferimento.

### NOTA

Se sono necessari accoppiamenti a connessione rapida, usare solamente connessioni rapide ad alto flusso approvate per l'uso HVLP. Altri tipi non faranno fluire sufficiente aria per il funzionamento corretto della pistola.

### NOTA

Se si usa una valvola di regolazione dell'aria all'ingresso della pistola, usare la valvola di regolazione HAV-501.

2. **SOLAMENTE PER I MODELLI A SIFONE.** Collegare il gruppo del coperchio della coppa al connettore dell'ingresso del fluido. Posizionare la staffa della coppa ad angoli retti rispetto alla pistola.
3. **MODELLI CON ALIMENTAZIONE IN PRESSIONE.** Collegare il tubo flessibile di erogazione di fluido al connettore dell'ingresso del fluido.

### NOTA

Prima di usare la pistola a spruzzo, lavarla con solvente per assicurarsi che i passaggi del fluido siano puliti.

## USO

### MODELLI CON SERBATOIO SUPERIORE

1. Mescolare il materiale di rivestimento seguendo le istruzioni del produttore e filtrare il materiale.
2. Riempire il serbatoio fino a non oltre 1,9 cm dal bordo superiore del serbatoio. **NON RIEMPIRE ECCESSIVAMENTE.**
3. Collegare al coperchio del serbatoio.
4. Ruotare la manopola di regolazione del fluido (24) in senso orario per prevenire il movimento dell'ago di fluido.

5. Ruotare il controllo della porta laterale (9) in senso antiorario per aprire completamente.
6. Regolare la pressione dell'aria ingresso, come necessario.
7. Ruotare in senso antiorario la manopola di regolazione del fluido fino a quando non si vede la filettatura iniziale.
8. Provare lo spruzzo. Se la finitura è troppo secca, ridurre il flusso d'aria abbassando la pressione di ingresso dell'aria.
9. Se la finitura è troppo bagnata, ridurre il flusso di fluido ruotando la manopola di regolazione del fluido (24) in senso orario. Se l'atomizzazione è troppo grossolana, aumentare la pressione dell'aria all'ingresso. Se è troppo fine, ridurre la pressione all'ingresso.
10. Le dimensioni del getto possono essere ridotte ruotando in senso orario il controllo della porta laterale (9).
11. Tenere la pistola perpendicolare alla superficie da spruzzare. Curvature o inclinazioni possono generare un rivestimento non uniforme.
12. La distanza di spruzzatura raccomandata è di 20 centimetri.
13. Spruzzare prima i bordi. Sovrapporre ciascuna spennellatura almeno del 75%. Spostare la pistola a una velocità costante.
14. Disattivare sempre l'erogazione d'aria e sfiatare la pressione quando non si usa la pistola.

## MANUTENZIONE PREVENTIVA E PULIZIA

Per pulire il cappuccio dell'aria e l'ugello di fluido, strofinare la superficie esterna con una spazzola dura. Se è necessario pulire i fori del cappuccio, usare la paglia di una scopa o uno stuzzicadenti, se possibile. Se si usa uno strumento metallico o duro, fare molta attenzione ad evitare di graffiare o sbavare i fori con il rischio di deformare il getto.

Per pulire i passaggi di fluido, rimuovere il materiale in eccesso dalla pistola, quindi lavarla con una soluzione apposita. Strofinare la superficie esterna della pistola con un panno inumidito. Non immergere mai completamente in solventi o soluzioni detergenti poiché sono dannosi per i lubrificanti e riducono la vita della pistola a spruzzo.

### NOTA

Se occorre sostituire l'ugello di fluido (7) o l'ago di fluido (22), sostituirli entrambi allo stesso tempo. L'uso di parti logorate può causare fuoriuscita di fluido. Cfr. pagina 4. Sostituire anche il giunto dell'ago allo stesso tempo. Ruotare l'ugello del fluido a una coppia di 170-180 inch-lbs. Non serrare eccessivamente.

### ATTENZIONE

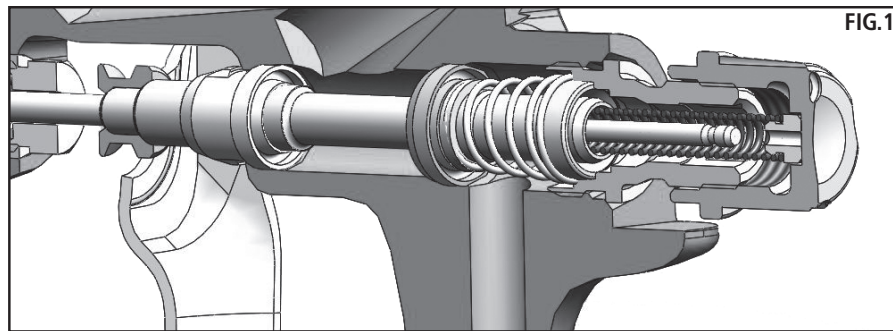
Per evitare di danneggiare l'ugello di fluido (7) o l'ago di fluido (22), assicurarsi di 1) tirare il grilletto e mantenerlo tirato mentre si serra o allenta l'ugello di fluido, o 2) rimuovere la manopola di regolazione del fluido (24) per sfiatare la pressione della molla contro il collare dell'ago.

**SERBATOIO SUPERIORE.** Versare il materiale in eccesso e pulire il serbatoio. Assicurarsi che il foro di sfiato nel coperchio sia aperto.

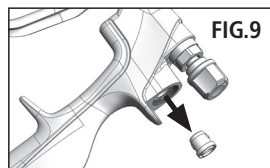
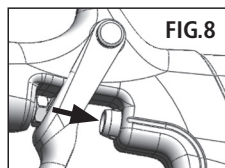
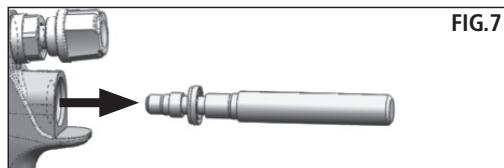
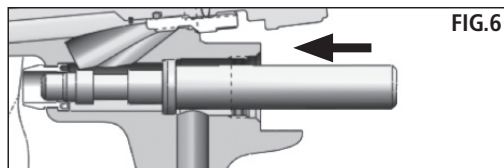
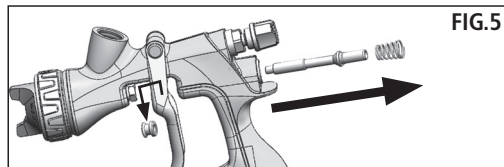
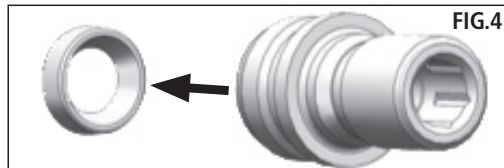
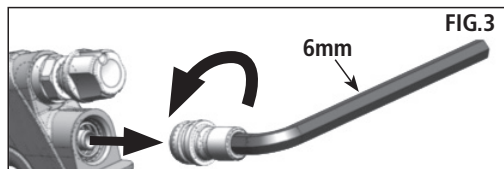
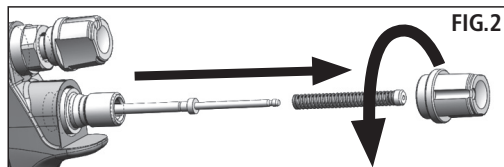


# RIMOZIONE E INSTALLAZIONE

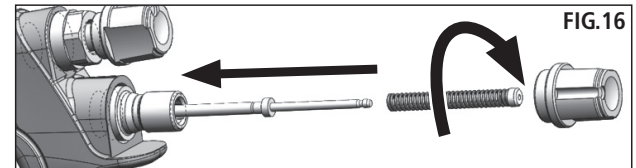
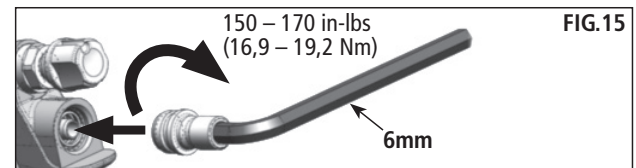
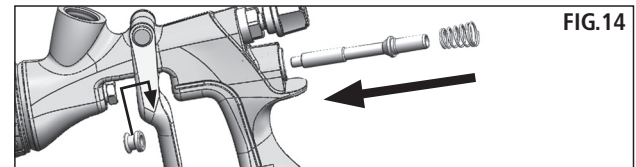
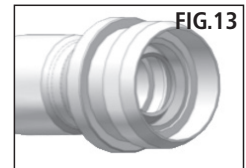
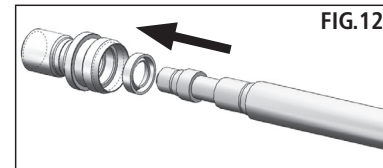
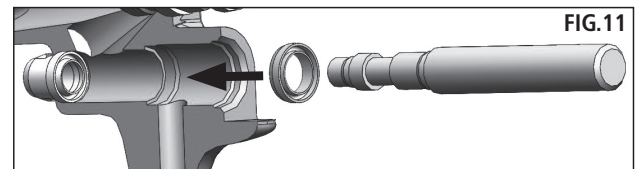
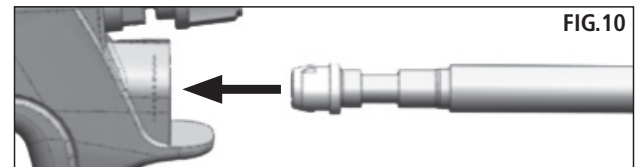
## SMONTAGGIO E MONTAGGIO DELL'AGO E DELLA VALVOLA



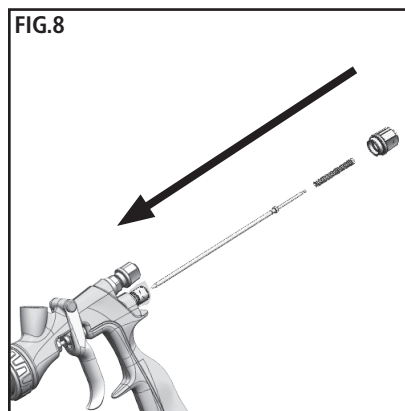
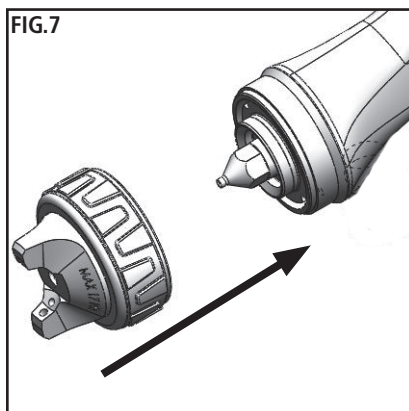
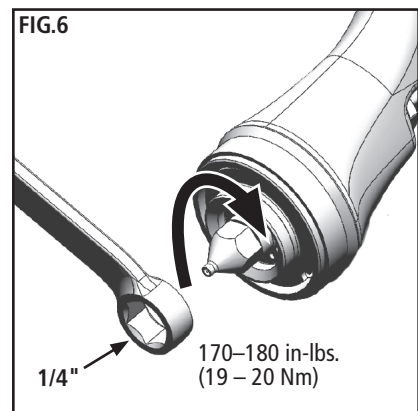
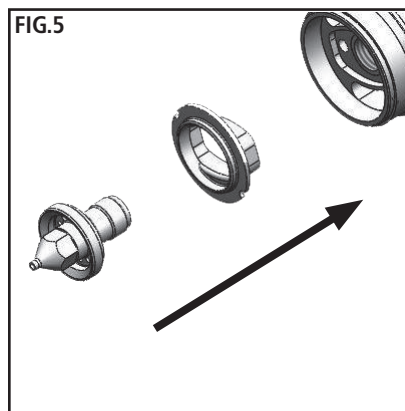
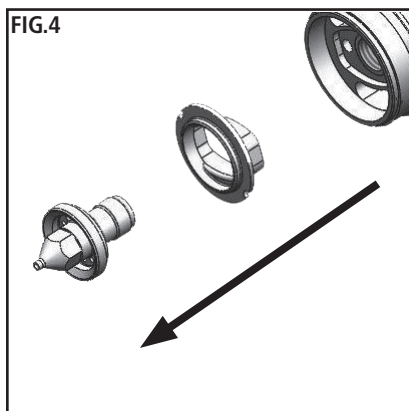
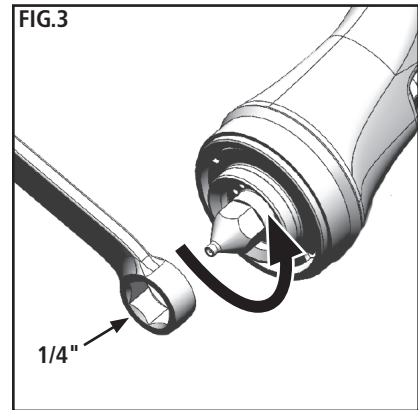
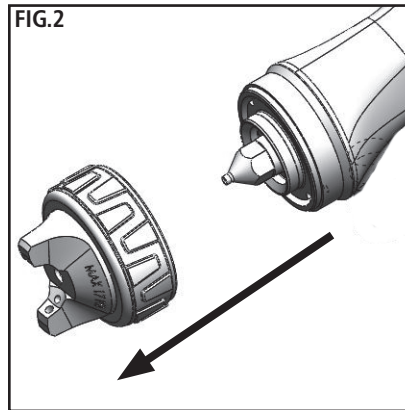
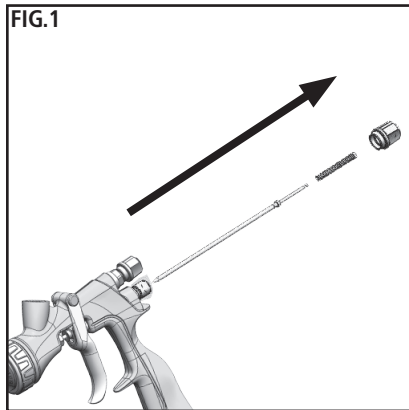
### SMONTAGGIO



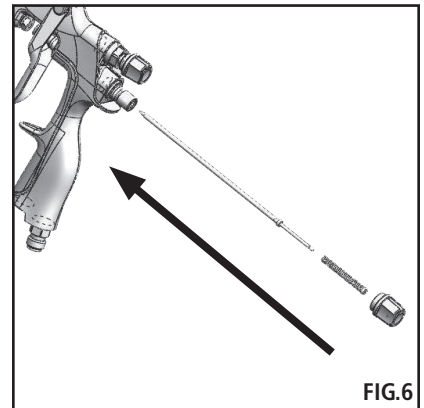
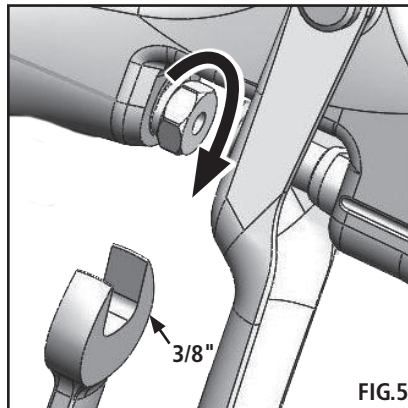
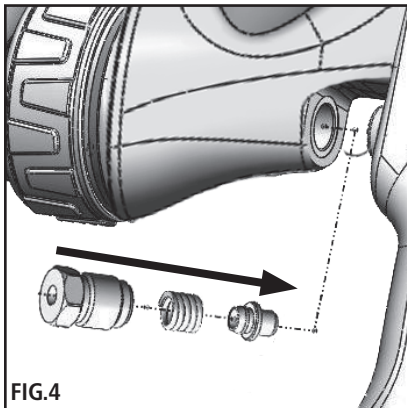
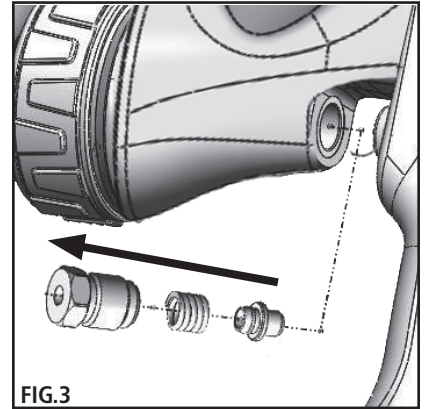
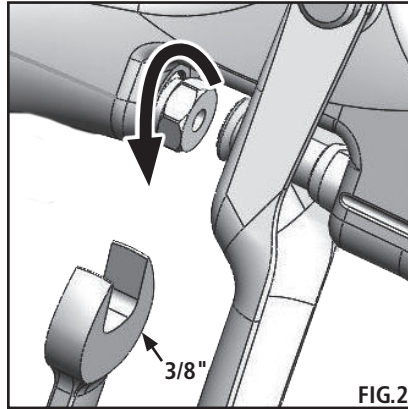
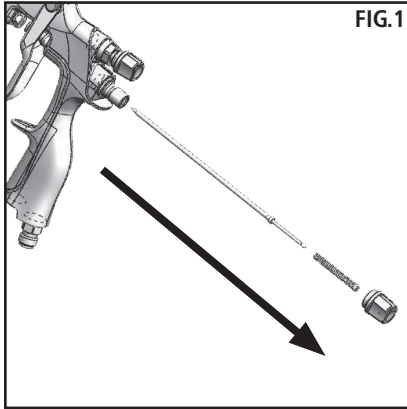
### MONTAGGIO



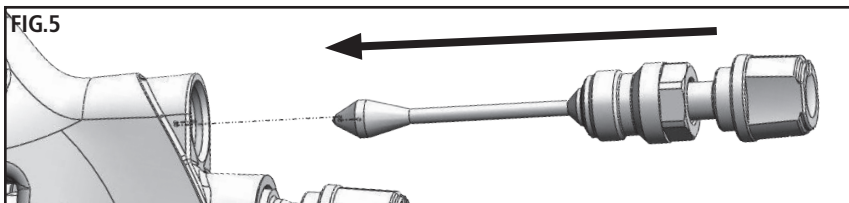
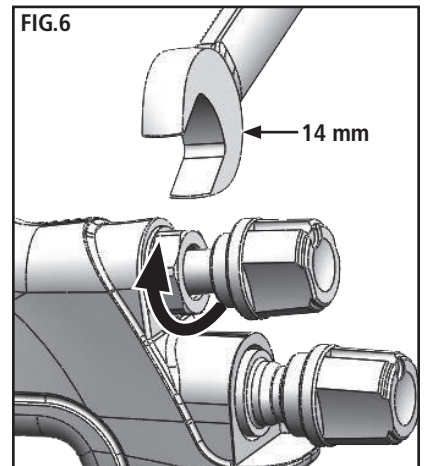
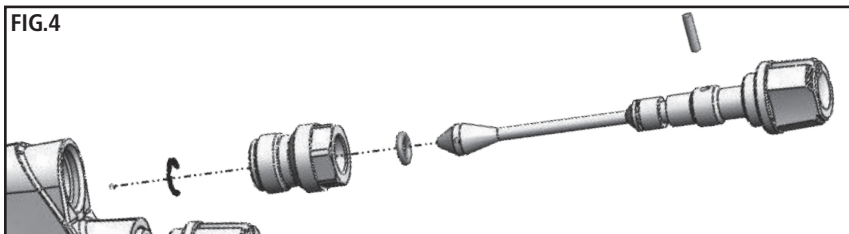
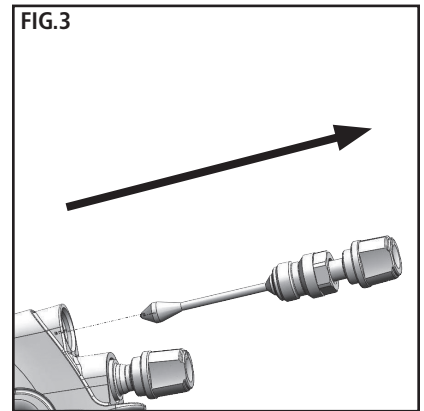
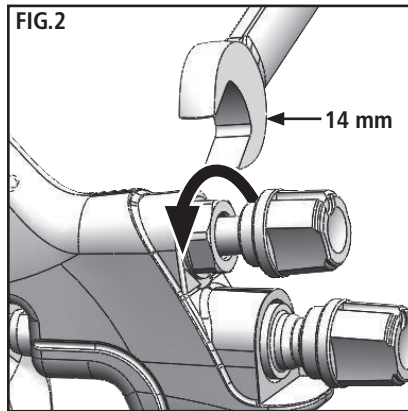
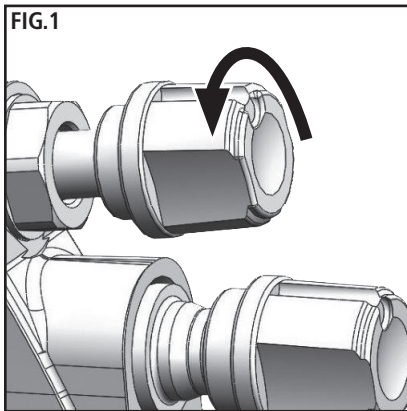
## MANUTENZIONE – RIMOZIONE E INSTALLAZIONE DELL'UGELLO DI FLUIDO E DEL DEFLETTORE








**MANUTENZIONE – RIMOZIONE E INSTALLAZIONE DEL GIUNTO AGO**



**MANUTENZIONE – RIMOZIONE E INSTALLAZIONE DELLA PORTA LATERALE**



## RISOLUZIONE DEI PROBLEMI

| CONDIZIONE  | CAUSA  | CORREZIONE  |
|---|--|---|
| <b>Getto pesante in alto o in basso</b><br>  | Fori del corno tappati<br>Ostruzione sulla parte superiore o inferiore della punta del fluido.<br>Cappuccio e/o sede della punta sporchi.  | Pulire. Alesare con una punta non metallica.<br>Pulire.<br>Pulire.  |
| <b>Getto pesante a destra o a sinistra</b><br>   | Fori laterali del corno a sinistra o a destra tappati.<br>Detriti sul lato sinistro o destro della punta del fluido.   | Pulire. Alesare con una punta non metallica.<br>Pulire.   |
| Rimedi per getti pesanti in alto, in basso a destra e a sinistra.<br>1. Determinare se l'ostruzione è sul cappuccio dell'aria o sulla punta di fluido. Per farlo, fare una spruzzatura di prova. Quindi, ruotare il cappuccio di mezzo giro e spruzzare un altro getto. Se il difetto è invertito, l'ostruzione è sul cappuccio dell'aria. Pulire il cappuccio dell'aria come indicato in precedenza.<br>2. Se il difetto non è invertito, è sulla punta del fluido. Controllare se c'è una sbavatura sottile sul bordo della punta del fluido. Rimuovere con una carta smerigliata #600 bagnata o asciutta.<br>3. Controllare che non vi sia vernice secca all'interno dell'apertura, rimuoverla lavando con solvente. |  |   |
| <b>Getto pesante al centro</b><br>   | Il fluido scorre troppo in alto per l'aria di atomizzazione.<br>Il flusso di materiale supera la capacità del cappuccio dell'aria.<br>La valvola di regolazione del distributore è impostata su un livello insufficiente.<br>La pressione di atomizzazione è troppo bassa.<br>Il materiale è troppo denso. | Equilibrare la pressione dell'aria e il flusso di fluido.<br>Aumentare l'ampiezza del getto con la valvola di regolazione del distributore.<br><br>Diluire o ridurre il flusso di fluido,<br>Regolare,<br>Aumentare la pressione.<br>Consistenza da sottile a corretta. |
| <b>Getto diviso</b><br>  | La pressione dell'aria di atomizzazione è troppo elevata.<br>Il flusso di fluido è troppo basso.<br>La valvola di regolazione del distributore è impostata su un livello eccessivo.  | Ridurre al trasformatore o alla pistola.<br>Aumentare il flusso di fluido (aumentare la velocità di movimentazione della pistola)<br>Regolare.  |
| <b>Spruzzo a scatti o vibrazioni</b><br>   | *Punta/sede del fluido allentata o danneggiata.<br>Livello di materiale troppo basso.<br>Contenitore inclinato eccessivamente.<br>Ostruzione nel passaggio di fluido.<br>Dado di giunto dell'ago del fluido asciutto o allentato.  | Serrare o sostituire.<br>Riempire.<br>Tenere verticalmente.<br>Lavare dal retro con solvente.<br>Lubrificare o serrare.   |
| <b>Impossibile ottenere una spruzzatura circolare</b>   | Vite di regolazione del distributore non posizionata correttamente.<br>Anello di fermo del cappuccio dell'aria allentato.  | Pulire o sostituire.<br><br>Serrare.  |
| <b>Non spruzza</b>  | Nessuna pressione dell'aria alla pistola.<br>Vite di regolazione dell'ago di fluido non aperta sufficientemente.<br>Fluido troppo pesante per l'alimentazione a gravità.   | Controllare l'aria e i tubi dell'aria, soffiare sui passaggi dell'aria della pistola.<br>Aprire la vite di regolazione dell'ago di fluido.<br>Diluire il materiale e/o usare una punta più grande.  |
| <b>Bolle di vernice nella coppa</b>   | Punta di fluido serrata eccessivamente.  | Serrare la punta.   |
| <b>Fuoriuscita o gocce dal coperchio della coppa</b>  | Coperchio della coppa allentato.<br>Filettature sporche sulla coppa o sul coperchio.<br>Coppa o coperchio incrinato.   | Serrare il coperchio,<br>Pulire<br>Sostituire la coppa e il coperchio.  |

\*Problemi più comuni.



## RISOLUZIONE DEI PROBLEMI

| CONDIZIONE   | CAUSA  | CORREZIONE   |
|--|--|--|
| <b>Getto non impregnato a sufficienza</b>  | Flusso di materiale inadeguato.<br>Bassa pressione dell'aria di atomizzazione.   | Tirare indietro la vite di regolazione del fluido fino alla prima filettatura, o usare una punta più grande.<br>Aumentare la pressione dell'aria e riequilibrare la pistola.   |
| <b>Spruzzatura eccessiva</b>   | Eccessiva pressione dell'aria di atomizzazione.<br>Pistola troppo lontana dalla superficie di lavoro.<br>Spennellatura inadeguata (curve, movimento della pistola troppo veloce).  | Ridurre la pressione<br>Modificare la distanza.<br>Spostarsi a un ritmo moderato, parallelamente alla superficie di lavoro.  |
| <b>Velo eccessivo</b>  | Troppo diluente o diluente che si asciuga troppo in fretta.<br>Troppa atomizzazione (pressione dell'aria).   | Rimescolare correttamente.<br>Ridurre la pressione dell'aria.  |
| <b>Spruzzatura secca</b>   | Pressione dell'aria troppo elevata.<br>Punta della pistola troppo lontana dalla superficie di lavoro.<br>Movimento della pistola troppo veloce.<br>Pistola non regolata correttamente.   | Ridurre la pressione dell'aria.<br>Modificare la distanza.<br>Rallentare.<br>Regolare.   |
| <b>Fuoriuscita di fluido dal dado del giunto</b>                                 | Dado del giunto allentato.<br>Giunto logorato o asciutto.  | Serrare, non bloccare l'ago.<br>Sostituire o lubrificare.  |
| <b>Fuoriuscita di fluido o gocce dalla parte frontale della pistola.</b>         | Dado del giunto troppo serrato.<br>Giunto asciutto.<br>Punta o ago del fluido logorato o danneggiato.<br>Materia estranea nella punta.<br>Molla dell'ago di fluido rotta.<br>Ago o punta delle dimensioni errate.                        | Regolare<br>Lubrificare.<br>Sostituire la punta e l'ago.<br>Pulire.<br>Sostituire.<br>Sostituire.  |
| <b>Gocce o fuoriuscita di fluido dal fondo della coppa.</b>                      | Coppa allentata sulla pistola.<br>Guarnizione della coppa logorata o nessuna guarnizione sotto la coppa.<br>Filettature della coppa sporche.   | Serrare.<br>Sostituire la guarnizione della coppa.<br>Pulire.  |
| <b>Colature e incurvature</b>  | Eccessivo flusso di materiale.<br>Materiale troppo diluito.<br>Pistola inclinata ad un angolo, o movimento della pistola troppo lento.   | Regolare la pistola o ridurre il flusso di fluido.<br>Mescolare correttamente o applicare strati leggeri.<br>Tenere la pistola a un angolo retto per lavorare e usare la tecnica appropriata.  |
| <b>Finitura leggera, sabbiosa a grana grossa che si asciuga prima di uscire.</b> | Pistola troppo lontana dalla superficie di lavoro.<br>Eccessiva pressione dell'aria.<br>Diluente usato non idoneo.   | Controllare la distanza. In genere circa 20 cm.<br>Ridurre la pressione dell'aria e controllare il getto.<br>Seguire le istruzioni del produttore per la miscelatura.  |
| <b>Finitura spessa, increspata a "buccia d'arancia"</b>                          | Pistola troppo vicina alla superficie.<br>Troppo materiale atomizzato a grana grossa.<br>Pressione dell'aria troppo bassa.<br>Diluente usato non idoneo.<br>Materiale non mescolato correttamente.<br>Superficie ruvida, grassa, sporca. | Controllare la distanza. In genere circa 20 cm.<br>Seguire le istruzioni del produttore per la miscelatura.<br>Aumentare la pressione dell'aria o ridurre il flusso di fluido.<br>Seguire le istruzioni del produttore per la miscelatura.<br>Seguire le istruzioni del produttore per la miscelatura.<br>Pulire bene e preparare. |

ACCESSORI

**HAF-507-K12 Whirlwind™**  
**Filtro dell'aria in linea**  
**Kit di 12**



Elimina acqua, grasso e detriti dal tubo dell'aria.

**192212 Kit di pulizia della pistola a spruzzo professionale**



Contiene sei attrezzi di precisione concepiti per pulire efficacemente tutte le pistole a spruzzo DeVilbiss, Binks, Finishline e di altre marche.

**6-429 Binks Gunners Mate Lube**  
**(Venti flaconi da 59 ml)**



Compatibile con tutti i materiali di vernice, non contiene silicone o distillati di petrolio che possono contaminare la vernice. SDS disponibile a richiesta.

**HAV-500 OR HAV-501 Valvola di regolazione**  
**(HAV-501 IN FIGURA)**



HAV-500 non dispone di manometro. Usare per controllare l'utilizzo d'aria alla pistola.

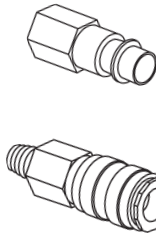
**Millennium 3000**  
**Maschera respiratore per vernice a doppia cartuccia**



Omologata NIOSH, per protezione delle vie respiratorie in atmosfere non immediatamente dannose per la vita.

|         |        |        |
|---------|--------|--------|
| Piccola | Media  | Grande |
| 40-141  | 40-128 | 40-143 |

**Connettori rapidi per pistole HVLP (Aria)**  
 Tipo alto flusso



HC-4419 Stelo 1/4" NPT(F) Punta pistola  
 HC-4719 accoppiatore 1/4" NPT(F) Punta tubo flessibile

**Salviette detergenti 29-3100 Scrubs®**




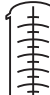














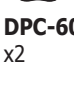



Le Scrubs® sono salviette bagnate per verniciatori, carrozzieri e meccanici che possono essere portate ovunque e che non richiedono acqua.

**Serbatoi superiori opzionali**



**81-381 Serbatoio in alluminio da 8 once (226,8 grammi)**  
 (in figura)  
**SRI-510 Serbatoio in resina acetilica da 4 once (113,4 grammi)**

**Accessori DeKups® per coppe a sifone**

|   |   |  |   |   |   |
|---|---|--|---|---|---|
| <b>DPC-60-K10</b><br>9oz Universal<br>x10   | <b>DPC-59-K10</b><br>24oz Universal<br>x10  | <b>DPC-61-K10</b><br>34oz Universal<br>x10   | 125 µm<br><b>DPC-42-K24</b><br>x24  | 200 µm<br><b>DPC-66-K24</b><br>x24  | <b>DPC-6-K10</b><br>x10   |
|  |  |   |  |    |  |
| <b>DPC-607</b><br>x2  | <b>DPC-606</b><br>x2  | <b>DPC-608</b><br>x2   | 125 µm<br><b>DPC-65-K24</b><br>x24  | 200 µm<br><b>DPC-67-K24</b><br>x24  | <b>DPC-22-K24</b><br>x24  |
|  |  |   |  |    |  |
| <b>DPC-602</b><br>x32   | <b>DPC-601</b><br>x32   | <b>DPC-600</b><br>x32  | 9 FL<br>265 mL  | 24 FL<br>710 mL   | <b>DPC-44</b>   |
|  |  |  | <b>DPC-602</b><br>x32   | <b>DPC-601</b><br>x32   |  |
| <b>DPC-607</b><br>x2  | <b>DPC-606</b><br>x2  | <b>DPC-608</b><br>x2   | <b>DPC-602</b><br>x32   | <b>DPC-601</b><br>x32   | <b>DPC-23</b>   |
|  |  |   | <b>DPC-600</b><br>x32   |  |   |
| <b>CARCASSE</b>   |   |  | <b>RIVESTIMENTI</b>   |   |   |



NOTE

NOTE

NOTE

## GARANZIA

I prodotti Binks sono coperti dalla garanzia limitata per materiali e lavorazione di un anno di Carlisle Fluid Technologies. L'uso di qualsiasi parte o accessorio, che non sia Carlisle Fluid Technologies, rende nulle tutte le garanzie. Per informazioni specifiche sulla garanzia si prega di rivolgersi alla sede Carlisle Fluid Technologies più vicina fra quelle elencate qui sotto.

Carlisle Fluid Technologies si riserva il diritto di modificare le specifiche tecniche dell'apparecchio senza preavviso. DeVilbiss®, Ransburg®, MS®, BGK®, e Binks® sono marchi depositati di Carlisle Fluid Technologies, Inc. ©2016 Carlisle Fluid Technologies, Inc. Tutti i diritti riservati.



Binks fa parte di Carlisle Fluid Technologies, leader globale nelle tecnologie di finitura. Per assistenza tecnica o per individuare un distributore autorizzato, rivolgersi a una delle nostre sedi internazionali di vendita e assistenza.

### USA/Canada

info@carlisleleft.com  
Tel: 1-888-992-4657  
Fax: 1-888-246-5732

### Messico

ventas@carlisleleft.com.mx  
Tel: 011 52 55 5321 2300  
Fax: 011 52 55 5310 4790

### Brasile

vendas@carlisleleft.com.br  
Tel: +55 11 5641 2776  
Fax: 55 11 5641 1256

### Regno Unito

info@carlisleleft.eu  
Tel: +44 (0)1202 571 111  
Fax: +44 (0)1202 573 488

### Francia

info@carlisleleft.eu  
Tel: +33(0)475 75 27 00  
Fax: +33(0)475 75 27 59

### Germania

info@carlisleleft.eu  
Tel: +49 (0) 6074 403 1  
Fax: +49 (0) 6074 403 281

### Cina

mkt@carlisleleft.com.cn  
Tel: +8621-3373 0108  
Fax: +8621-3373 0308

### Giappone

overseas-sales@carlisleleft.co.jp  
Tel: 081 45 785 6421  
Fax: 081 45 785 6517

### Australia

sales@carlisleleft.com.au  
Tel: +61 (0) 2 8525 7555  
Fax: +61 (0) 2 8525 7575

Per le ultime informazioni sui nostri prodotti, visitare il sito [www.carlisleleft.com](http://www.carlisleleft.com).

