

NON-HVLP CONVENTIONAL SIPHON SPRAY GUNS



W-200-S | W-2003



W-200-S with PCL 10 B3 Cup

TECHNICAL		Ø mm	No.	bar/psi	ml/min	CFM	mm
W-200-S							
W-200-151S	1.5	K1	3.0/ 43.6	240	7.1	210	
W-200-152S	1.5	K2			11.7	290	
W-200-182S	1.8				11.7	340	
W-200-201S	2.0	R1			9.2	260	
W-200-202S	2.0	R2			12.7	290	
W-200-251S	2.5	W1			17.7	370	
W-2003							
W-2003	2.0	R1	2.9/42	500	27	300:400	

Air Nipple: G1/4" • W-200-S Fluid Nipple: G3/8" • W-2003 Fluid Nipple: M16x1



W-2003 with PC 19B Cup

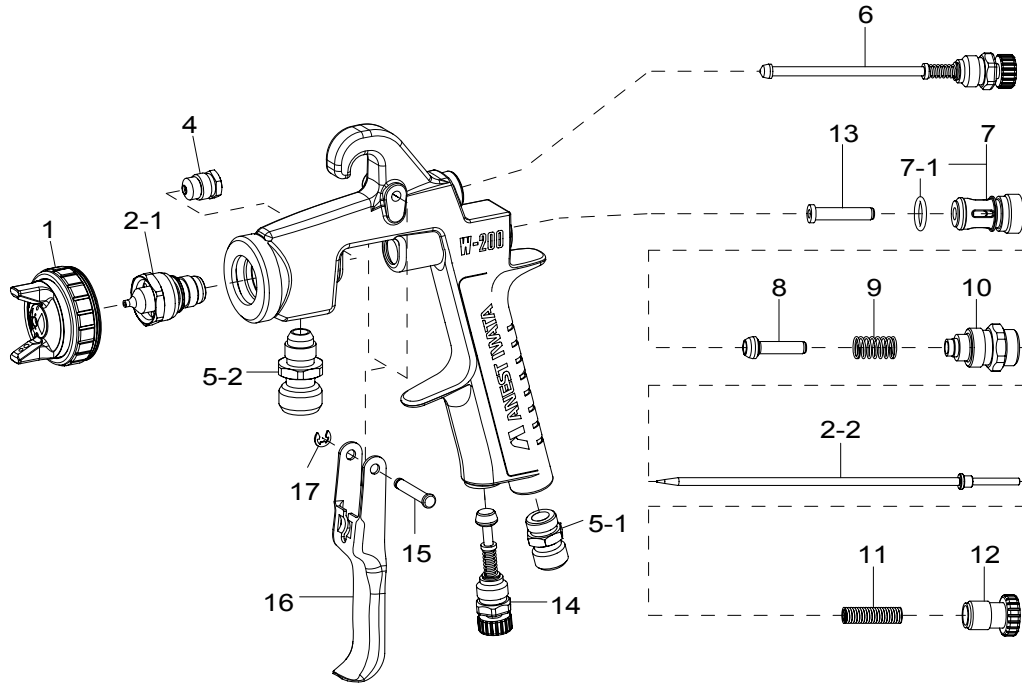
See page 52 for cup options (sold separately)

ORDER Information - W-200-S Siphon

	ø 1.5 (K1)	ø 1.5 (K2)	ø 1.8	ø 2.0 (R1)	ø 2.0 (R2)	ø 2.5
SIPHON SPRAY GUN W-200-S	4605	4615	4625	4630	4640	4650
SIPHON SPRAY GUN + PCL10B3 - 1000ML	-	4617	4627	4632	4642	4652
SIPHON SPRAY GUN + PC7B3 - 700ML	-	4616	4626	4631	4641	4651
NOZZLE + NEEDLE SET	93822610	93822610	93821610	93820610	93820610	93819610
AIR CAP SET	K1 93817611	K2 93816611		R1 93815611	R2 93814611	W1 93813611

ORDER Information - W-2003 Siphon for high viscosity paint

	ø 2.0
SIPHON SPRAY GUN W-2003	4670
SIPHON SPRAY GUN + PC 19B- 1000ML	4675
NOZZLE + NEEDLE SET	93820610
AIR CAP SET	R1 93815611



SPARE PARTS

Ref.	Code	Description	Qty.
1		AIR CAP SET	
2-1 + 2-2		NOZZLE + NEEDLE SET	
2-2	93507700	SPECIAL NEEDLE with TIP in Delrin	ø 0.8/1.0/1.2
	9W-200-X17-1	NEEDLE TIP in Delrin	ø 0.8/1.0/1.2
4	93765610	NEEDLE PACKING CARTRIDGE	
5-1	93660300	AIR NIPPLE	
5-2	93515600	FLUID NIPPLE	
6	93840601	PATTERN ADJ. SET	
7	93843530	AIR VALVE SEAT	
7-1	96638008	O RING	
8	93591530	AIR VALVE	
9	93719530	AIR VALVE SPRING	
10	93844532	FLUID ADJ. GUIDE SET	
11	93593530	FLUID NEEDLE SPRING	
12	93594532	FLUID ADJ. KNOB	
13	93935430	AIR VALVE SHAFT	
14	93845531	AIR ADJ. SET	
14-1	93625370	PLUG (W200 S)	
15	93667360	TRIGGER STUD	
16	93517600	TRIGGER	
17	93912030	E STOPPER	2 pcs./1 pk.

ACCESSORIES

Ref.	Code	Description
	93708240	AIR CAP PACKING (WHITE)
	93512600	AIR CAP "L" PACKING (BLACK)
	5650	REPAIR SERVICE KIT (includes: 4, 7-1, 9, 11, 15, 17)
	6017	PCL 10 B3 SUCTION CONTAINER 1lt.
	6035	PC 19B PRESSURE CONTAINER 1lt.