

NON-HVLP CONVENTIONAL PRESSURE SPRAY GUNS



W-200-P | W-200-ZP | W-200-S25



TECHNICAL		Ø mm	No.	bar/psi	ml/min	CFM	mm
W-200-P							
W-200-082P	0.8	G2P	3.0/44	500	19.8	400	
W-200-102P	1.0						
W-200-122P	1.2						
W-200-ZP							
W-200-201ZP	2.0	R1Z	3.5/51	760	17.7	370	
W-200-251ZP	2.5						
W-200-S25							
W-200-S25	1.0	G2P	3.0/ 44	500	19.8	360	

Air Nipple: G1/4" • Fluid Nipple: G3/8"



W-200 S25 - MF
with circulation system

ORDER Information - W-200-P Pressure

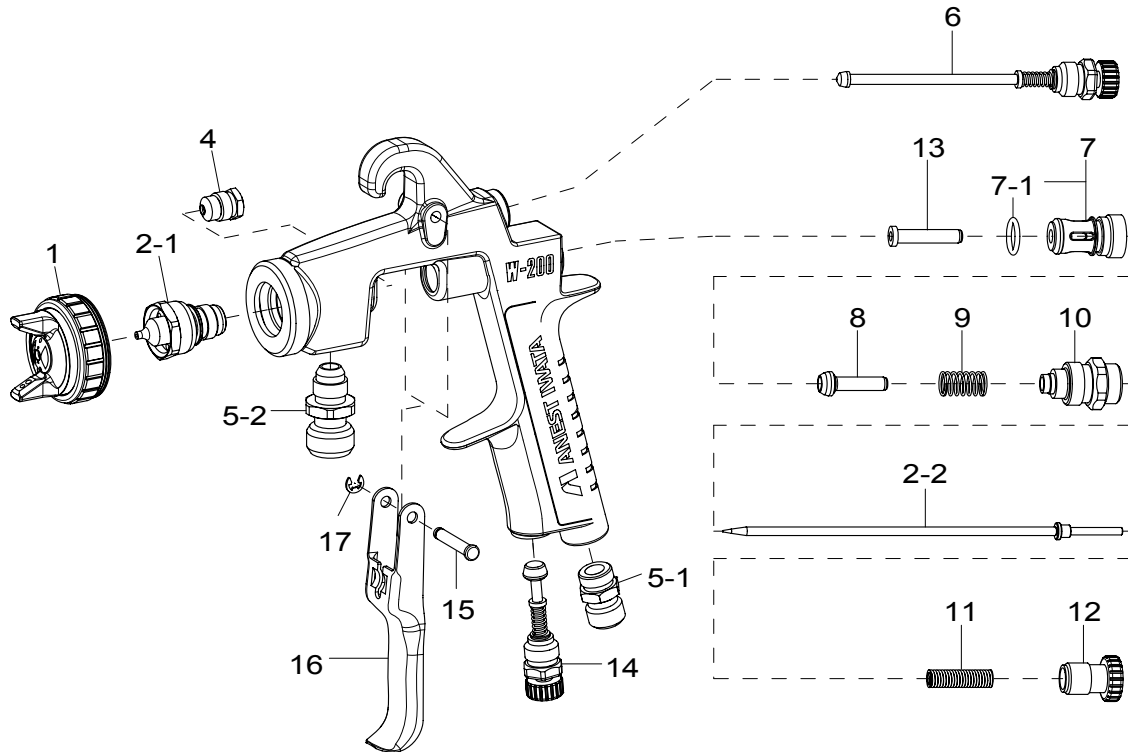
	ø 0.8	ø 1.0	ø 1.2
PRESSURE SPRAY GUN W-200-P	4602	4601	4600
NOZZLE + NEEDLE SET	93889610	93890610	93891610
AIR CAP SET	G2P 93818611		

ORDER Information - W-200-ZP Pressure for Abrasive Paint

	ø 2.0	ø 2.5
PRESSURE SPRAY GUN W-200-ZP	4649	4659
NOZZLE + NEEDLE SET	93872610	93874610
AIR CAP SET	R1Z 93871611	

ORDER Information - W-200-S25 with Circulation System

	ø 1.0
PRESSURE SPRAY GUN W-200-S25	4601S25
NOZZLE + NEEDLE SET	93890610
AIR CAP SET	G2P 93818611



SPARE PARTS

Ref.	Code	Description	Qty.
1	93818611	AIR CAP SET G2P	
2-1 + 2-2		NOZZLE + NEEDLE SET	
2-2	93507700	SPECIAL NEEDLE with TIP in Delrin	ø 0.8/1.0/1.2
4	93765610	NEEDLE PACKING CARTRIDGE	
5-1	93660300	AIR NIPPLE	
5-2	93515600	FLUID NIPPLE	
6	93840601	PATTERN ADJ. SET	
7	93843530	AIR VALVE SEAT	
7-1	96638008	O RING	
8	93591530	AIR VALVE	
9	93719530	AIR VALVE SPRING	
10	93844532	FLUID ADJ. GUIDE SET	
11	93593530	FLUID NEEDLE SPRING	
12	93594532	FLUID ADJ. KNOB	
13	93935430	AIR VALVE SHAFT	
14	93845531	AIR ADJ. SET	
14-1	93625370	PLUG (W200 S)	
15	93667360	TRIGGER STUD	
16	93517600	TRIGGER	
17	93912030	E STOPPER	(2 pcs./1 pk.)

ACCESSORIES

Ref.	Code	Description
	93708240	AIR CAP PACKING (WHITE)
	93512600	AIR CAP "L" PACKING (BLACK)
	5650	REPAIR SERVICE KIT (Includes: 4, 7-1, 9, 11, 15, 17)