

W-71-P | W-71-S | W-71-G



TECHNICAL		Ø mm	No.	bar/psi	ml/min	CFM	mm
W-71-P							
W-71-0	0.8	0	3.4/50	200	8.5	190	
W-71-0N (SST)		02					
W-71-02	1.0	02	3.4/50	300	8.1	264	
W-71-02N (SST)							
W-71-S							
W-71-2S	1.3	2	3/43	135	3.0	135	
W-71-2SN (SST)							
W-71-3S	1.5	31	3/43	180	5.8	170	
W-71-31S							
W-71-31SN (SST)							
W-71-G							
W-71-21G	1.3	21	3/43	160	6.9	165	
W-71-21GN (SST)							
W-71-31G	1.5	31	3/43	190	8.1	185	
W-71-31GN (SST)							

Air Nipple: G1/4" • Fluid Nipple: G3/8"

See page 52
for cup options
(sold separately)

ORDER Information - W-71-P Pressure

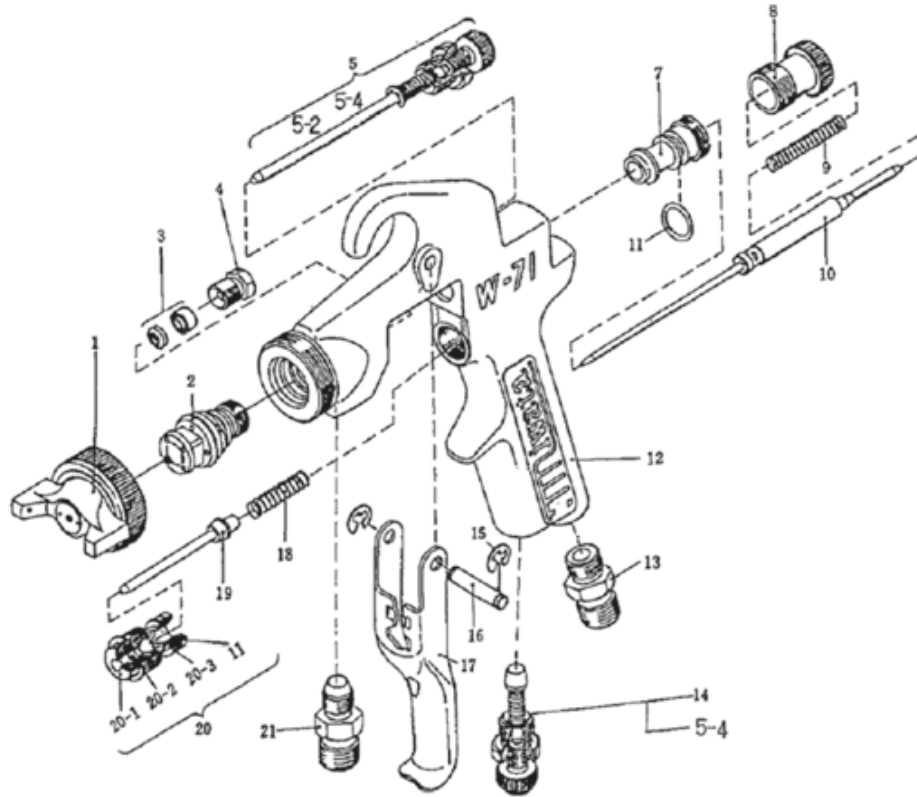
	ø 0.8	ø 1.0
PRESSURE SPRAY GUN W-71-P	3000	3005
NOZZLE + NEEDLE SET	93938081	93938091
PRESSURE SPRAY GUN + STAINLESS NOZZLE	3030	3035
NOZZLE + NEEDLE SET - STAINLESS	93903080	93903090
AIR CAP SET	93900020	93900110

ORDER Information - W-71-S Siphon

	ø 1.3	ø 1.5
SIPHON SPRAY GUN W-71-S	3010	3020
NOZZLE + NEEDLE SET	93999920	93999930
SIPHON SPRAY GUN + STAINLESS NOZZLE	3040	3050
NOZZLE + NEEDLE SET - STAINLESS	93999940	93999950
AIR CAP SET	93901020	93900100

ORDER Information - W-71-G Gravity (side feed)

	ø 1.3	ø 1.5
GRAVITY SPRAY GUN W-71-G	3015	3025
NOZZLE + NEEDLE SET	93999920	93999930
GRAVITY SPRAY GUN + STAINLESS NOZZLE	3045	3055
NOZZLE + NEEDLE SET - STAINLESS	93999940	93999950
AIR CAP SET	93900090	93900100



SPARE PARTS

Ref.	Code	Description	
1		AIR CAP SET	
2 + 10		NOZZLE + NEEDLE SET	
3	93906110	FLUID NEEDLE PACKING SET	
4	93067082	FLUID NEEDLE PACKING SEAT	
5	93909080	PATTERN ADJUSTMENT SET	
5-2	96610023	STOPPER	
5-4		O RING	SUPPLIED AS REF. 501
7	93064082	FLUID NEEDLE GUIDE	
8	93102081	FLUID ADJUSTMENT KNOB	
9	93069081	FLUID NEEDLE SPRING	
11		O RING	SUPPLIED AS REF. 501
13	93010080	AIR INLET NIPPLE	
14	93907081	AIR ADJUSTMENT SET	
15	93912030	STOPPER	PACK OF 2
16	93167080	TRIGGER STUD	
17	93162080	TRIGGER	
18	93088082	AIR VALVE SPRING	
19	93081081	AIR VALVE	
20	93930090	AIR VALVE SEAT SET	
21	93161082	FLUID NIPPLE	W-71
21	93002090	FLUID NIPPLE	W-71-N
501	93906100	O RING SET	5-4 ,11

ACCESSORIES

Ref.	Code	Description
	3003	REPAIR SERVICE KIT FOR W-71 (includes: 3, 9, 11, 18, 19)