



### FEATURES

- Patented LV Technology with split nozzle for increased material savings
- HVLP Technology - with low operating air pressure
- Excellent for solvent or waterborne base coat and clear coat application
- Large fan pattern
- Superior transfer efficiency
- Quality surface for easy cleaning
- Compatible with the 3M PPS cup system (adapter #43)

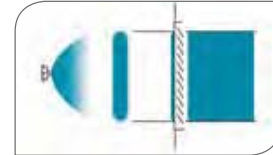
### TECHNICAL

	Ø mm	No.	bar/psi	m <sup>3</sup> /min	CFM	mm
LS-400						
LS-400-1205	1.2	05	1.8/26	150	14.83	305
LS-400-1305	1.3			160		310
LS-400-1405	1.4			180		320
LS-400-1505	1.5			190		

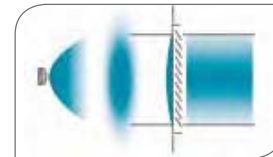
• Air Nipple: G1/4" • Fluid Nipple: G1/4"



LV Technology Split Nozzle



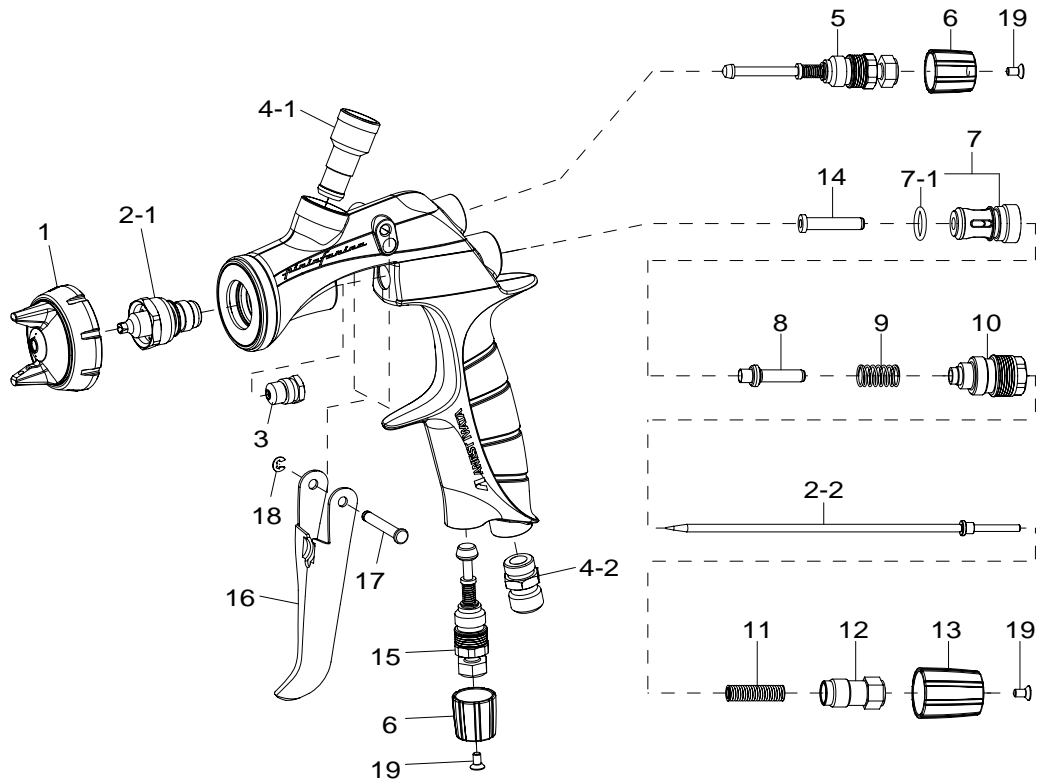
Round Nozzle



See page 50  
for cup options  
(sold separately)

### ORDER Information - LS-400 ENTECH

	ø 1.2	ø 1.3	ø 1.4	ø 1.5
GRAVITY SPRAY GUN LS-400	5930	5935	5940	5945
GRAVITY SPRAY GUN + PCG600P2 - 200 ml	5931	5936	5941	5946
GRAVITY SPRAY GUN + PCG7D2 - 700 ml	5932	5937	5942	5947
GRAVITY SPRAY GUN + PCG10D2 - 1000 ml	5933	5938	5943	5948
NOZZLE + NEEDLE SET	93512760	93512780	93513120	93513140
AIR CAP SET	LS-400-05 93512100			



### SPARE PARTS

Ref.	Code	Description	Qty.
1	93512100	AIR CAP SET 05	
2.1+2.2		NOZZLE + NEEDLE SET	
3	93765610	CARTRIDGE PACKING	
4-1	93505421	FLUID NIPPLE	1/4"
4-2	93660300	AIR NIPPLE	1/4"
5	93505432	PATTERN ADJUST SET	
6	93512290	ADJUST KNOB	GREEN
7	93843530	AIR VALVE SEAT SET	
7-1	96638008	O RING	
8	93505480	AIR VALVE	
9	93719530	AIR VALVE SPRING	
10	93505492	FLUID ADJUST GUIDE SET	
11	93593530	FLUID NEEDLE SPRING	
12	93505822	FLUID ADJ. SCREW SET	
13	93512730	FLUID ADJUST KNOB	GREEN
14	93935430	AIR VALVE SHAFT	
15	93505842	AIR ADJUST SET	
16	93505850	TRIGGER	
17	93505860	TRIGGER STUD	
18	96612025	E STOPPER	
19	93506970	STAR FLAT HEAD BOLT	
18	93936880	FLUID ADJ. GUIDE SET	
19	93015880	FLUID NEEDLE SPRING	

### ACCESSORIES

Ref.	Code	Description
	93505341	AIR CAP GASKET (BLACK)
	93505330	AIR CAP GASKET (WHITE)
	2978	TEST CAP GUAGE SET 05
	5652	REPAIR SERVICE KIT (Includes: 3, 7, 9, 11, 17, & 18)