

Versa-Spray®

Automatic PE Powder Spray Gun

High-performance integral-power supply spray gun for high-efficiency application of porcelain enamel powder coatings.



The Nordson® Versa-Spray II PE automatic powder spray gun incorporates integral-power-supply technology and modular design for exceptional operating performance, efficiency and versatility in applying porcelain enamel powder coatings.

The advanced design of the Versa-Spray integral-power-supply provides higher output voltage, under actual spraying conditions at typical gun-to-part distances, than conventional electrostatic spray guns. The result is higher first-pass transfer efficiency and dramatically improved coating coverage.

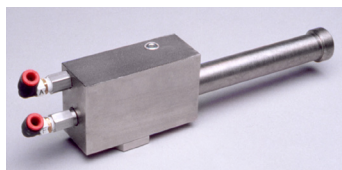
Versa-Spray gun bodies are constructed of lightweight, durable, non-conductive engineered plastics for maximum electrostatic attraction to the part to be coated, and for maximum ruggedness with minimum weight. In addition, an exceptionally flexible cable provides low-voltage power to the gun's integral voltage multiplier.

Optional Nozzles

Optional conical-spray deflectors and flat-spray nozzles are available to help customize the spray pattern for particular parts being coated to help maximize transfer efficiency and minimize the amount of recycled coating material.

Powder Pump

A Nordson® powder pump specially designed for use with porcelain enamel powder coatings provides high-performance delivery capability. Pump operation is controlled by the Versa-Spray® control unit. Powder-contact parts are made of specially engineered materials for maximum resistance to wear and impact fusion.



Nordson® pump for porcelain enamel powder coatings.

Features and Benefits

- **Integral-power-supply design provides higher voltage output and stronger field strength, under actual spraying conditions, for higher transfer efficiency.**
- **Modular construction – fast, easy disassembly for routine cleaning and field service minimizes downtime and maintenance costs.**
- **Wear-resistant materials – all powder pathway components are made of specially engineered materials for exceptional resistance to wear and powder impact fusion.**
- **Shur-lok™ gun mount – non-slip fixture ensures positive automatic gun positioning on either fixed gun stands or gun-moving devices.**
- **Optional nozzles – a variety of flat-spray and conical-spray nozzles provide exceptional spray pattern versatility for optimum coating coverage and efficiency on a wide range of part configurations.**

Maximum Operating Safety, Easy Maintenance

Porcelain enamel model Versa-Spray guns, like all Nordson® electrostatic equipment, meet the industry's strictest requirements for operating safety. The guns are also completely field repairable with modular replacement components if service is required.

Wear-Resistant, Interchangeable Parts for Easy Replacement, Cleaning

The gun's powder pathway module is easily removed, without special tools, for routine cleaning and wear parts replacement. Powder contact parts are made of specially engineered materials for maximum resistance to wear and impact fusion. The powder pathway module and internal wear parts are completely interchangeable between the manual and automatic gun, which helps minimize space parts inventory and associated costs.

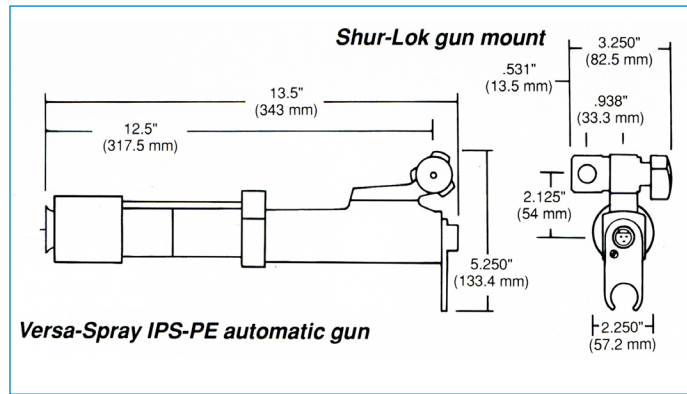


Versa-Spray® Automatic PE Powder Spray Gun

Choice of Control Systems

The Vantage® controller is a highly cost-effective solution that combines basic operating controls and display, along with automatic feedback current (AFC) control, for excellent coating efficiency and finish quality.

The iControl® gun control system for automatic guns adds a central color touch-screen operator interface, extensive system diagnostics, multi-language capability, Nordson patented Select Charge® technology and true, digital closed-loop flow control, providing an unsurpassed combination of control and consistency for the highest level of performance, efficiency and finish quality attainable in powder coating today.



The Nordson® Shur-lok gun mount provides secure positioning and easy adjustment on stationary gun stands or automatic gun movers.

For more information, speak with your Nordson representative or contact your Nordson regional office.

United States

Amherst, Ohio
+1.800.626.8303 Phone
+1.888.229.4580 Fax

Canada

Markham, Ontario
+1.905.475.6730 Phone
+1.800.463.3200 Phone
+1.905.475.8821 Fax

Europe

Erkrath, Germany
+49.211.9205.141 Phone
+49.211.9252.148 Fax

Japan

Tokyo, Japan
+81.3.5762.2700 Phone
+81.3.5762.2701 Fax

Asia/Australia/ Latin America

Amherst, Ohio
+1.440.985.4000 Phone
24-hour message service:
+1.440.985.4797