

# Sure Coat®

Automatic Powder Spray Gun

Air-purge cleanable design allows for fast, easy cleaning without gun disassembly.



## Features and Benefits

- **Automatic Feedback Current control ensures consistent, optimum transfer efficiency.**
- **Superior Faraday-cage penetration accommodates wide range of coating requirements.**
- **Maximum electrostatic performance delivers highest transfer efficiency.**
- **Integral-power-supply is designed to deliver optimal kV for automatic applications.**
- **Specially engineered materials used in powder-contact parts minimize wear and impact fusion.**
- **Easy access powder pathway design makes routine cleaning and maintenance fast and uncomplicated.**
- **Largest selection of nozzle choices available in the industry.**
- **Optional ion collector is available which, in selected applications, can improve the smoothness and appearance of cured powders.**
- **Optional purge inlet connector facilitates gun-only cleaning for routine maintenance in non-color-change or regular color-change applications where conventional feed hoppers, not feed centers, are used.**



Designed for use with the Nordson iControl® integrated control system, the Sure Coat automatic gun provides the most efficient, versatile and operator-friendly powder application tool in the industry. With the Sure Coat automatic gun and Select Charge® technology, finishers can achieve superior coating coverage and efficiency across all types of applications, including recoats, from the simplest to the most complex part geometries.

The Nordson Sure Coat automatic powder spray gun provides proven Nordson technology and performance in an air-purge cleanable design for fast, easy cleaning, both inside and out, without gun disassembly, a requirement today for quick-colorchange powder coating applications.

The Sure Coat automatic gun's easy-clean design also reduces downtime where air-purge cleaning capability is used simply for routine daily-maintenance cleaning.

## Operator Selectable Coating Modes and Digital Flow Control for Superior Performance

Precise control of gun current is critical to ensure optimal powder charge and the quality and efficiency of any powder coating operation. The combination of Automatic Feedback Current (AFC) control with Select Charge technology for various coating modes, provides the highest level of flexibility and operating parameter control needed to tailor powder system operation to your specific application requirements.

The iControl Integrated Control System features user-adjustable Automatic Feedback Current control to optimize system performance over the widest variety of part profiles and configurations. In the AFC mode, the controller automatically adjusts electrostatic voltage output to maintain the optimal powder charge and external field strength regardless of the gun-to-part distance for uniform powder deposition across the part. This provides the most consistent, overall coating coverage and highest finish quality possible.

For difficult applications, for example, recoating and coating inside deep cavities, iControl offers five different Select Charge modes to further simplify system performance optimization by providing application-specific coating modes with electrostatic parameters optimized to deliver unmatched coating performance.



# Sure Coat® Automatic Powder Spray Gun

## Innovative Internal Powder Pathway Design

The Sure Coat automatic gun features a straight-through powder path with precision, positive-compression connections backed up by o-ring seals to eliminate potential internal powder leakage and areas of color contamination exhibited by conventional powder spray guns. The straightthrough powder path and nozzle design also provide highly uniform powder spray patterns for improved coating efficiency and film-build control.

The gun's internal powder pathway components are made of high-performance material engineered to release powder during air-purge cleaning and to minimize powder impact fusion.

## Several Versions Meet Varying Requirements

The Sure Coat automatic gun is available in 4-ft (136.8 cm), 5-ft (167.3 cm) and 6-ft (197.8 cm) lengths to accommodate varying powder spray booth widths for coating very small to very large products. The gun's width is only 1.7 inches (4.3 cm), minimizing surface area to clean during color change. It also minimizes the necessary automatic gun slot widths in powder booths for improved booth airflow control.

## Easy Access Cleaning and Maintenance

The Sure Coat automatic gun's aerodynamic shape and smooth, engineered-material external surfaces facilitate fast, easy powder blow-off during system color change. All connections for powder tubing, power cable for the integral voltage multiplier and air tubing for electrode air-wash are made at the rear of the gun, outside the powder spray booth, for easy access and ease of service for routine maintenance.

The gun is easily disassembled for routine maintenance to check for wear on all powder-contact parts. The integral voltage multiplier is user replaceable.

## Convenient Powder Hose Bracket Assembly

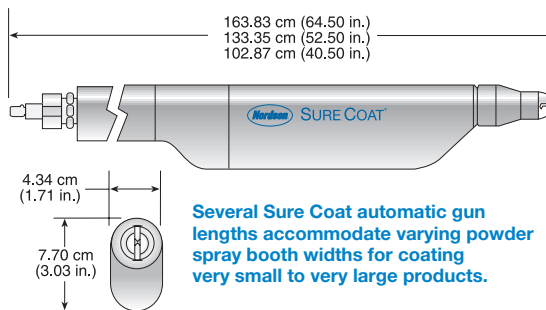
Two sets of powder hoses are typically used for fast color-change applications, one set for light colors, and the other for dark colors. The Sure Coat automatic

gun features a convenient bracket that attaches to the rear of the gun to support the powder hose, gun cable and air tubing, and to provide a place to "park" a second powder hose, if used, to help speed the color-change process.



## Extensive Selection of Nozzles Available

Enhanced Nordson gun nozzle designs deliver softer, yet highly directional spray patterns for easier, more efficient coating application. The Sure Coat automatic spray gun uses a variety of precision nozzles to tailor the powder spray pattern to a specific coating application for maximum spray pattern uniformity, coating efficiency and film-build control.



## Specifications

<b>Dimensions:</b>	<b>Height</b>	3.03 in (7.70 cm)
	<b>Width</b>	1.71 in (4.34 cm)
	<b>Length</b>	6 ft (77.88 in.) (197.8 cm) 5 ft (65.88 in.) (167.3 cm) 4 ft (53.88 in.) (136.8 cm)
<b>Weight</b>		6.5 lbs (3.0 kg) 5.5 lbs (2.5 kg) 4.5 lbs (2.0 kg)
<b>Input Air</b>		4 bar (60 psi) (minimum) 7 bar (100 psi) (maximum)
<b>Purge Air</b>		5.6 - 6.6 bar (80-95 psi) at 227-255 l/min (8-9 scfm)
<b>Gun Air</b>		0.3 bar (5 psi) 12 l/min. (0.4 scfm)
<b>Filtration</b>		Air must be clean and dry.

For more information, speak with your Nordson representative or contact your Nordson regional office.

**United States**  
Amherst, Ohio  
+1.800.626.8303 Phone  
+1.888.229.4580 Fax

**Canada**  
Markham, Ontario  
+1.905.475.6730 Phone  
+1.800.463.3200 Phone  
+1.905.475.8821 Fax

**Europe**  
Erkrath, Germany  
+49.211.9205.141 Phone  
+49.211.9252.148 Fax

**Japan**  
Tokyo, Japan  
+81.3.5762.2700 Phone  
+81.3.5762.2701 Fax

**Asia/Australia/  
Latin America**  
Amherst, Ohio  
+1.440.985.4000 Phone  
**24-hour message service:**  
+1.440.985.4797