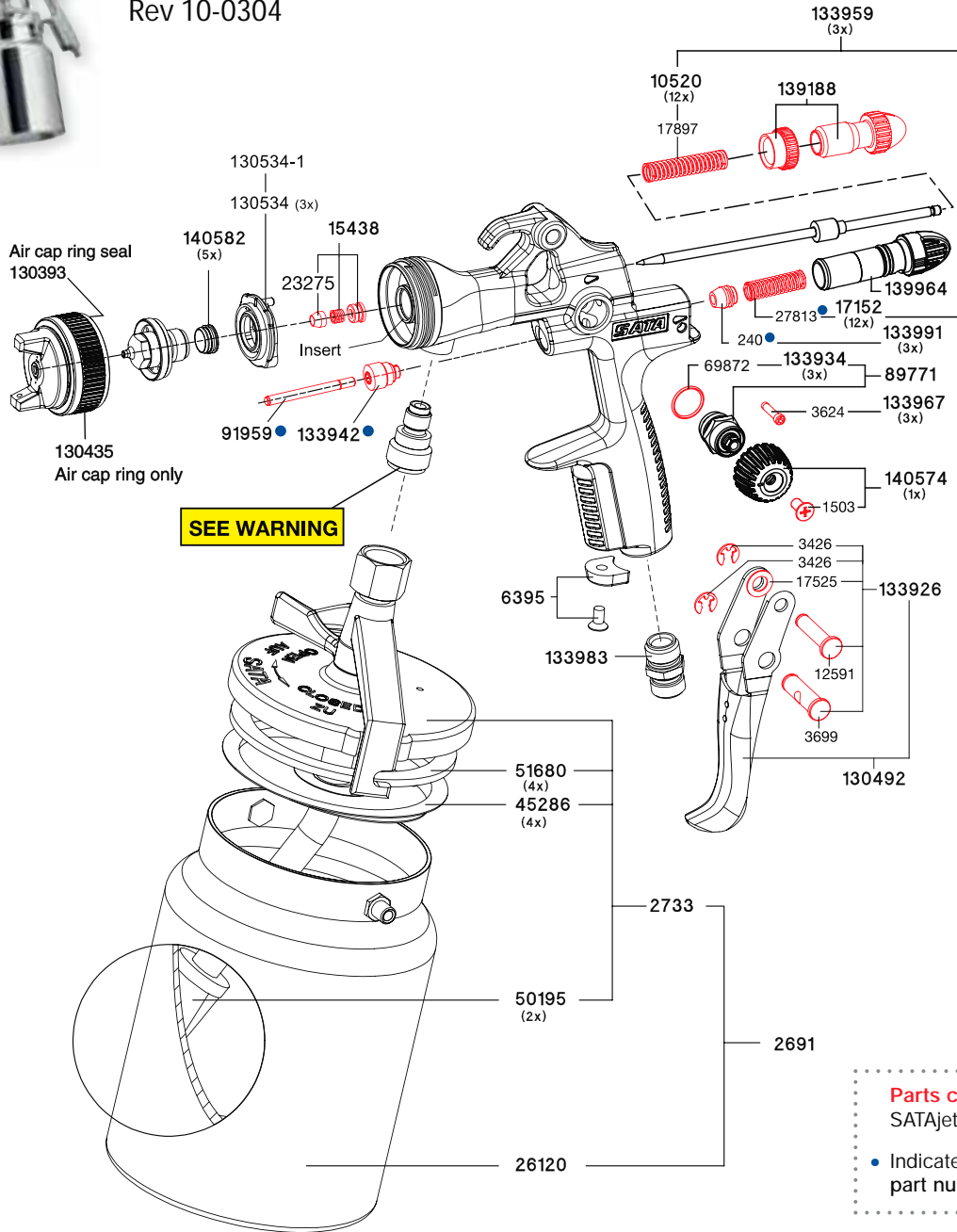


Replacement parts:

SATAjet 1000 H RP

Rev 10-0304

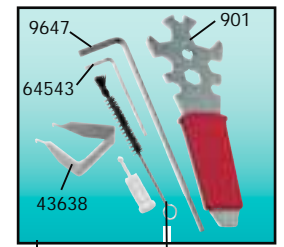


SEE WARNING

***WARNING**
Do not remove the insert, seal, and fluid inlet. Special tools are required.

Insert
Seal
Fluid inlet

CALL SATA repair department for details.



9050 3509
1 supplied in tool kit and repair kit

SATAjet 1000 H Nozzle Set

Nozzle Size	Part No.
1.6	151613
1.8	151621
2.0	153379

Parts colored red are supplied in SATAjet 100B repair kit, part no. 130542

• Indicates air piston service set, part number 82826

Part #	Description	Part #	Description	Part #	Description
240	Seal, air piston	17897	Spring, needle	130393	Seal, air cap ring
901	Wrench, universal spanner	23275	Seal, needle	130435	Air cap ring only (RP)
1503	Screw, fan control	26120	1L Alum. suction cup w/o/lid, w/rivets	130484	Insert w/needle packing kit
2691	Alum. suction cup	27813	Spring, air piston	130492	Kit, trigger
2733	Lid fitting, complete with seal ring	38265	Material filter, R 3/8	130534	Ring, air distribution, pk of 3
3426	Circlip, pin	45286	Non-drip device for suction cup, 4 pk	130534-1	Ring, air distribution, each
3509	Brush, large standard	50195	Sieve for suction cup, 2 pk	130542	Kit, Repair, Jet 1000 K
3624	Pin, air micrometer	51680	Gasket rings for suction cup, 4 pk	133926	Kit, trigger sleeve
3699	Pin, lower trigger	64543	Allen wrench, 2	133934	O-ring, fan control, pk of 3
6395	Disc, CC (standard), pk of 4	69872	"O"-ring, fan control	133942	Bushing, air piston
9647	Allen wrench, 4	82826	Kit, air piston service set	133959	Kit, spring, 3 each of #27813 & #17897
10520	Spring, needle, pk of 12 #17897	89771	Control, RH w/O-ring	133967	Pin, air micrometer, pk of 3
12591	Pin, upper trigger	91140	QC w/nipple	133983	Fitting, air inlet, R 1/4
14605	Bushing, needle	91157	QC w/filter and nipple	133991	Seal, air piston, pk of 3
14993	Spring, needle bushing	91959	Air piston	139188	Kit, fluid control and lock nut
15438	Kit, needle packing	92031	Paint pipe, R 3/8	139964	Air micrometer, standard
17152	Spring, air piston, pk of 12 #27812	92577	Tool set	140574	Knob, fan control w/screw
17525	Spring, spacer lock	93526	Material connection	140582	Seal, fluid tip, pk of 5
		130146	Air micrometer, DIGITAL		