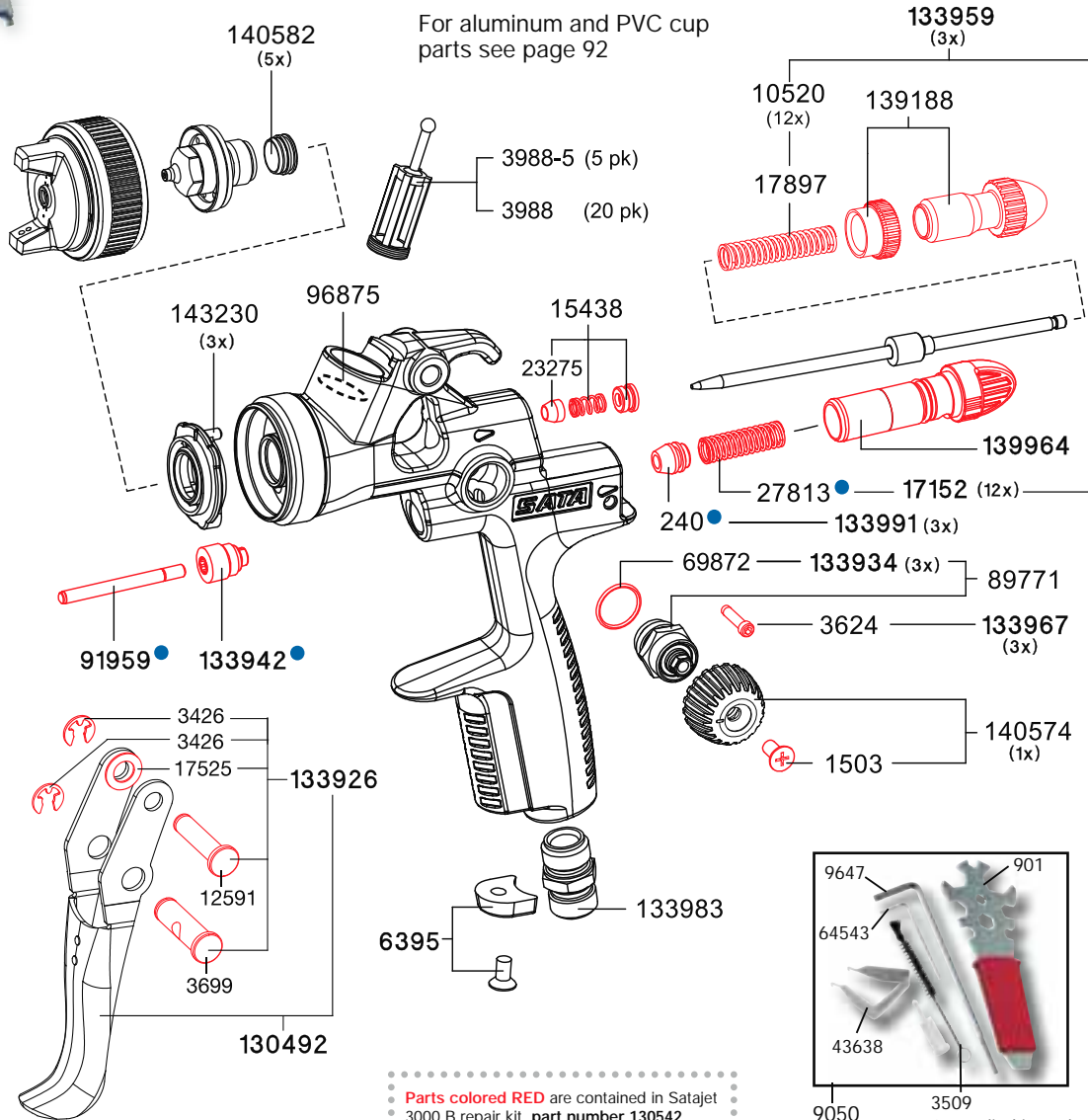


Replacement parts:

SATAjet 1000 B HVLP and SATAjet 1000 B RP Standard Model

Rev 11-1-09



SATAjet 1000 B RP Nozzle Set

Nozzle Size	Part No.
0.8	151316
1.0	151324
1.3	149161
1.6	149179
1.8	150417
2.0	149187
2.5	151332
3.0	151340
4.0	154187
5.0	154195
Test Air Cap	
1.4 - 2.1	157214

SATAjet 1000 B HVLP Nozzle Set

Nozzle Size	Part No.
1.4	149195
1.7	149203
1.9	149211
2.1	149229

Parts colored RED are contained in SATAjet 3000 B repair kit, part number 130542

• Indicates air piston service set part no. 82826

Part #	Description	Part #	Description	Part #	Description
240	Seal, air piston	15438	Kit, needle packing	130492	Kit, trigger
901	Wrench, universal spanner	17152	Spring, air piston, pk of 12 #27812	130542	Kit, Repair, Jet 1000 K
1503	Screw, fan control	17525	Spring, spacer lock	133926	Kit, trigger sleeve
3426	Circlip, pin	17897	Spring, needle	133934	O-ring, fan control, pk of 3
3509	Brush, large standard	23275	Seal, needle	133942	Bushing, air piston
3624	Pin, air micrometer	27813	Spring, air piston	133959	Kit, spring, 3 each of #27813 & #17897
3699	Pin, lower trigger	64543	Allen wrench, 2	133967	Pin, air micrometer, pk of 3
3988	Sieve, pk of 20	69872	O-ring, fan control	133983	Fitting, air inlet, R ¼
3988-5	Sieve, pk of 5	82826	Kit, air piston service set	133991	Seal, air piston, pk of 3
6395	Disc, CC (standard), pk of 4	89771	Control, RH w/O-ring	139188	Kit, fluid control and lock nut
9647	Allen wrench, 4	91959	Air piston	139964	Air micrometer, standard
10520	Spring, needle, pk of 12 #17897	92577	Tool set	140574	Knob, fan control w/screw
12591	Pin, upper trigger	130146	Air micrometer, DIGITAL	140582	Seal, fluid tip, pk of 5
14605	Bushing, needle	130393	Seal, air cap ring	143230	Air distribution ring, pk of 3
14993	Spring, needle bushing	130435	Air cap ring only (RP)		
		130443	Air cap ring only (HVLP)		