

Replacement parts:

SATAgraph 1 - 2 - 3 Artbrush



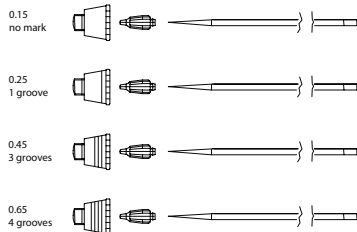
Part #	Description
31781	Cup, gravity 4ml w/lid graph 2
32029	Cup lid, pk of 3, graph 2
32276	Repair kit, graph 2
32615	Nipple, pk of 3
32987	Air hose, 3 meter w/fittings
33001	Grip housing, graph 2
33019	Glass cup, 15ml w/lid, graph 2
33019-B	Glass cup w/blind cap, graph 2
33019-C	Blind cap only, graph 2
33019-G	Glass cup only, graph 2
33019-L	Siphon lid only, graph 2
33092	Glass cup, pk of 5 w/1 siphon, graph 2
33092-S	Glass cup, pk of 5 w/5 siphon, graph 2
35964	Air cap diffuser, graph 2
36020	Trigger, graph 2
134767	Cup, gravity 2.5ml w/lid graph 1 & 3
134775	Cup, gravity 5ml w/lid graph 1 & 3
134783	Cup, siphon 5ml w/lid graph 1 & 3
134791	Braided air hose, 2.5 meter w/fittings
134809	Trigger, Graph 1
134817	Air cap diffuser, graph 3
134825	Grip housing, graph 1
134833	Grip housing complete, graph 3
134841	Repair kit, graph 1
134858	Repair kit, graph 3
134957	Trigger, graph 3
138909	"O" Ring, graph 1, 2 & 3, pk of 5
142638	"O" Ring, graph 1 & 3, pk of 5

Parts colored red are supplied in their respective repair kit
 SATAgraph 1 repair kit, #134841
 SATAgraph 2 repair kit, #32276
 SATAgraph 3 repair kit, #134858

Nozzle Sets for SATAgraph 1-2-3

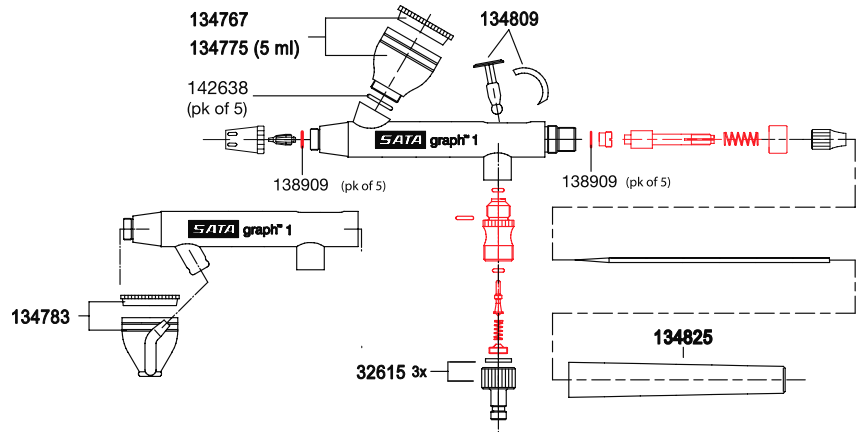
Nozzle Size	SATA graph 1	SATA graph 2	SATA graph 3
0.15			134643
0.20		123448	
0.25	134619	31476	134650
0.45	134635		134668
0.65			134676

Nozzle Set Identification Chart for SATAgraph 3

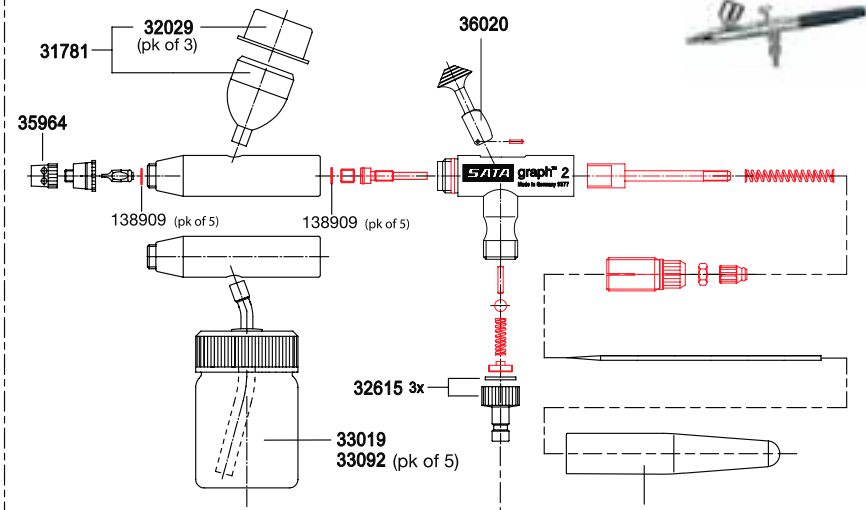


134643	0.15 for SATAgraph 3	(no markings)
134650	0.25 for SATAgraph 3	(1 groove on paint needle, paint nozzle/air cap)
134668	0.45 for SATAgraph 3	(3 grooves on paint needle, paint nozzle/air cap)
134676	0.65 for SATAgraph 3	(4 grooves on paint needle, paint nozzle/air cap)

SATAgraph 1



SATAgraph 2



SATAgraph 3

