

Automatic Spray Guns

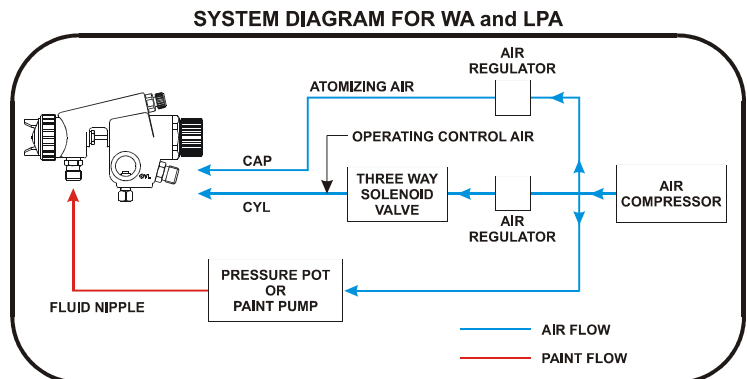


A U T O M A T I C S P R A Y G U N S

ANEST IWATA automatic spray guns are available in various configurations to suit a wide range of applications and processes. Our compact size SGA100, small size WA100/LPA100 and the full size WA200/LPA200 allow end users to accommodate multiple applications. The WA100/200 and LPA100/200 series gun's fluid passages are made of stainless steel and are suitable for spraying waterborne and solvent borne materials consistently.

Our WRA100, WRA200 and LRA200 series guns are designed for remote fan control and fluid circulation for specific materials that rapidly settle and require continuous circulation.

ANEST IWATA automatic spray guns are suitable for mass production with automatic painting equipment, reciprocators or robotic painting.



Automatic Spray Guns

TECHNICAL SPECIFICATIONS AND DESCRIPTIONS

Model	Item #	Type	Fluid Nozzle mm (Inch)	Spray Distance mm (inch)	Gun Inlet Pressure psi	Air Flow CFM	Fluid Output ml/min (oz/min)	Pattern Width mm (Inch)	Air Cap Model	Weight g (oz)
General Purpose Automatic Spray Gun										
SGA100	5442	Compact	1.0 (0.039)	—	36	2.8	—	—	E1	270 (9.5)
WA100-082P	5606	Small	0.8 (0.031)	200 (8.0)	43	9.5	150 (5.0)	190 (7.5)	E2P	460 (16.2)
WA100-101P	5438		1.0 (0.039)			3.2	100 (3.4)	140 (5.5)	E1	
WA100-102P	5607		1.0 (0.039)			9.5	200 (6.8)	220 (8.7)	E2P	
WA100-132P	5440		1.3 (0.051)			9.2	250 (8.5)	230 (8.1)	H2	
WA200-122P	5605	Full	1.2 (0.047)	250 (10.0)	43	18.7	500 (16.9)	400 (15.7)	G2P	500 (17.6)
WA200-152P	5610		1.5 (0.059)			11.7	270 (9.1)	340 (13.4)	K2	
WA200-202P	5615		2.0 (0.079)			12.7	400 (13.5)	320 (12.6)	R2	
WA200-251P	5620		2.5 (0.098)			12.7	500 (16.9)	330 (13.0)	W1	
WA100R-05P	5441	Round	0.5 (0.020)	200 (8.0)	43	1.4	20 (0.7)	35 (1.4)	—	440 (15.5)
WA1218	5443	Internal Coating	0.6 (0.024)	200 (8.0)	43	2.6	17 (0.6)	48 (1.9)	—	555 (19.6)
WA0915	5444		0.5 (0.020)			1.9	9 (0.3)	36 (1.4)	—	510 (18.0)
WA0609	5445		1.7			8 (0.2)	32 (1.3)	—	475 (16.8)	
WA200-201ZP	5625	Ceramic	2.0 (0.079)	250 (10.0)	50	17.7	760 (25.7)	370 (14.6)	R1Z	500 (17.8)
WA200-251ZP	5626		2.5 (0.098)						R1Z	
HVLP Automatic Gun										
LPA100-101P	5306	Small	1.0 (0.039)	200 (8.0)	39	15.2	150 (5.1)	200 (7.9)	E1	460 (16.2)
LPA200-122P	5308	Large	1.2 (0.047)	—	29	17.7	500 (16.9)	300 (11.8)	G2	500 (17.6)
Mounted on Robot										
WRA100-082P	5630	Small	0.8 (0.031)	200 (8.0)	39 - Cap 31 - Fan	9.5	150 (5.1)	190 (7.5)	E2P	300 (10.6)
WRA200-122P	5635	Full	1.2 (0.047)	250 (10.0)	34 - Cap 39 - Fan	18.7	500 (16.9)	400 (15.7)	G2P	325 (11.5)
LRA200-122P	5307	Full HVLP	1.2 (0.047)	200 (8.0)	20 - Cap 23 - Fan	17.7		300 (11.8)	G2	

Fluid Fitting: 1/4"BSP for SGA100 / WA100 / LPA100 and 3/8"BSP for WA200/LPA200

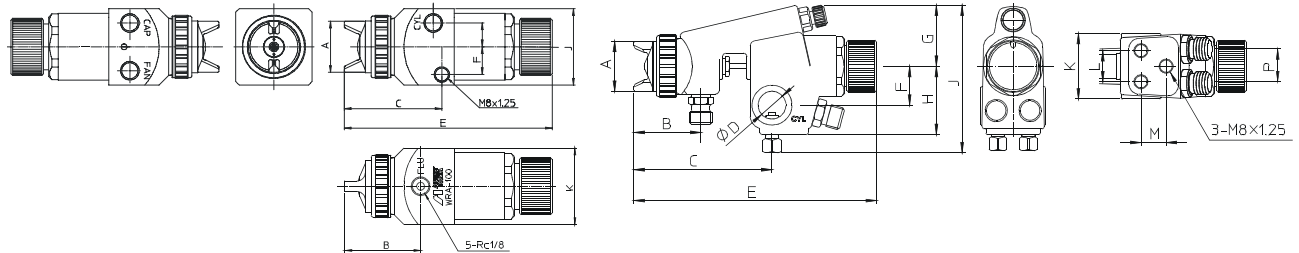
Air Fitting: 1/4"BSP for all models except WRA/LRA models, which are without both fluid and air fittings

Gun Dimensions (inches)

Model	A	B	C	D (φ)	E	F	G	H	J	K	L	M	P
General Purpose Automatic Spray Gun													
SGA100	1.06	—	1.34	0.39	—	1.34	—	—	—	—	—	—	—
WA100	1.06	1.75	3.37	0.63	5.79	0.93	1.42	1.59	3.39	1.50	0.71	0.57	0.79
WA200	1.20	1.87	3.50	0.63	5.85	0.93	1.42	1.59	3.39	1.50	0.71	0.57	0.79
WA100R	1.06	1.48	3.11	0.63	5.53	0.93	1.38	1.59	3.35	1.50	0.71	0.57	0.79
WA1218	0.47	—	10.47	0.63	—	0.93	—	—	—	—	—	—	—
WA0915	0.35	—	9.25	0.63	—	0.93	—	—	—	—	—	—	—
WA0609	0.24	—	6.89	0.63	—	0.93	—	—	—	—	—	—	—
HVLP Automatic Gun													
LPA100	1.06	1.85	3.48	0.63	5.91	0.93	1.42	1.59	3.39	1.50	0.71	0.57	0.79
LPA200	1.20	1.87	3.50	0.63	5.85	0.93	1.42	1.59	3.39	1.50	0.71	0.57	0.79
Mounted on Robot													
WRA100	1.06	1.57	2.00	—	4.29	0.57	—	—	1.57	1.57	—	—	—
WRA200	1.20	1.89	2.20	—	4.37	0.57	—	—	1.57	1.57	—	—	—
LRA200	1.20	1.89	2.20	—	4.37	0.57	—	—	1.57	1.57	—	—	—

WRA100/200 and LRA200

WA100/200 and LPA100/200



ANEST IWATA USA, Inc.

9920 Windisch Road
West Chester, OH 45069
Tel: 513-755-3100
Fax: 513-755-0888
Toll Free: 800-440-0282
www.anestiwata.com

DISTRIBUTED BY: