



190252 (GFC-501) 20 OZ. ACETAL GRAVITY FEED CUP

Important: Before using this equipment, read all safety precautions and instructions. Keep for future use.

Note

This cup is compatible for use with Halogenated Hydrocarbon solvents such as 1, 1, 1 Trichloroethane and Methylene chloride.

DESCRIPTION

GFC-501 (acetal) 20 Oz. Cup

This gravity feed cup is designed to work with the GFG, GFHV, GTI and FLG gravity feed spray guns and with or without the DeVilbiss disposable cup liner. The cup liner allows painting in any position and simplifies clean up. The cup is constructed from acetal which is easier to clean and resists stains better than nylon. This cup has a unique drip check lid to prevent paint from dripping out of the vent in the lid. It has a high grade stainless steel connector, compatible with waterbornes and all common coating materials.

INSTALLATION

Protective coatings have been used to protect the cup after manufacture. Flush all equipment with a suitable solvent before use to remove these coatings from the material passages.

ASSEMBLY OF CUP TO GUN

1. Remove one of the cup gaskets (#3(White) for GFG and GFHV guns) (#3A(Blue)for GTI and FLG guns)from the poly bag.
2. Place this cup gasket in the fluid inlet of the gun body. See Cup Drawings.
3. Store remaining cup gasket in a safe place for future use.
4. Place filter (4) in cup outlet at this time if desired. See Cup Drawings.
5. Assemble cup to gun and tighten hand tight.

FILLING WITH PAINT

Fill the cup with paint to the bottom of the threads. **Do not overfill.**



PROP 65 WARNING
WARNING: This product contains chemicals known to the State of California to cause cancer and birth defects or other reproductive harm.

INSTALLING THE LID

Place plastic lid on the top of the cup, and **hand tighten**. Fold vent cap and push onto center portion of lid (if vent cap is not already assembled).

PAINTING

This disposable liner allows you to spray in any position, even upside down. To spray upside down, you must first purge the air from the cup liner.

To purge air from cup liner:

1. Connect to proper air supply (minimum of 30 PSI)
2. Turn cup upside down (See Figure below)
3. Trigger gun until a constant paint flow is observed.

CLEANING

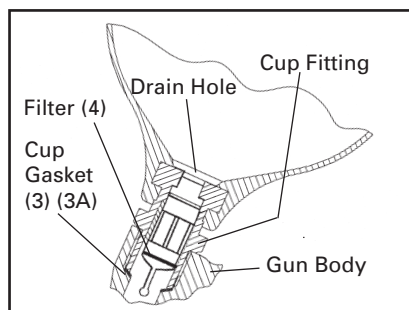
Note

For routine cleaning, it is not necessary to remove cup from gun. Do not remove washer (3) from gun. If washer (3) is removed, it must be replaced.

Remove lid and properly dispose of any excess paint. Pour in a small amount of clean solvent. The amount will vary with different coatings and solvents. Reinstall lid. Shake cup to wash down the inside surfaces. Pull trigger to allow some solvent to be flushed through gun. Remove lid and pour out dirty solvent. Add a small amount of clean solvent and repeat procedure. Wipe exterior of cup and lid with a clean cloth and clean solvent.

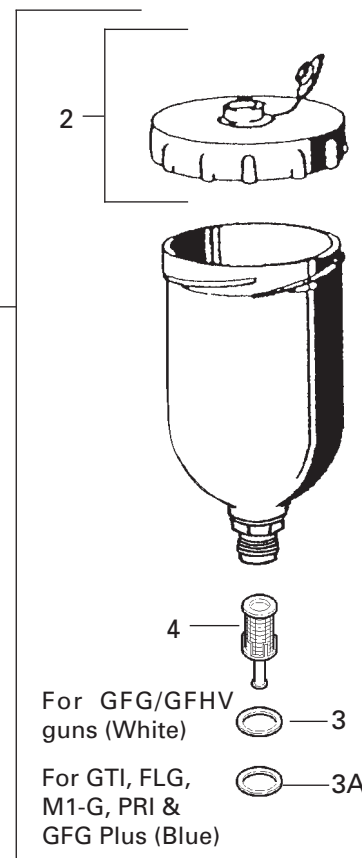
If a paint filter was used in the bottom of the cup outlet, it should be removed and cleaned or replaced at this time.

CUP DRAWINGS



PARTS LIST

Ref. No.	Replacement Part No.	Description
1	GFC-501	Cup Assembly, 20 oz. Acetal
2	GFC-402	Cup Lid Assembly
3	KGP-12-K5	Cup Gasket (White) (Kit of 5)
3A	KGP-13-K5	Cup Gasket (Blue) (Kit of 5)
4	KGP-5-K5	Filter (Kit of 5)



ACCESSORIES

OMX-70-K48 PAINT CUP LINER KIT (Not for use with GFC-503 cups)

Allows quick and easy clean-up.

Consists of :

- 1 - Piercing Tool
- 48 - Disposable Liners
- 48 - Drain Bushings

WARRANTY POLICY

DeVilbiss products are covered by Finishing Brands one year materials and workmanship limited warranty. The use of any parts or accessories, from a source other than Finishing Brands, will void all warranties. For specific warranty information please contact the closest Finishing Brands location listed below.

Finishing Brands reserves the right to modify equipment specifications without prior notice. DeVilbiss, Ransburg, BGK, and Binks are registered trademarks of Finishing Brands. ©2014 Finishing Brands. All rights reserved.



DeVILBISS

DeVilbiss is part of Finishing Brands, a global leader in innovative spray finishing technologies. For technical assistance or to locate an authorized distributor, contact one of our international sales and customer support locations below.

USA/Canada

Industrial Finishing

www.devilbiss.com
info@finishingbrands.com
Tel: 1-800-992-4657
Fax: 1-888-246-5732

United Kingdom

www.finishingbrands.eu
info@finishingbrands.eu
Tel: +44 (0)1202 571 111
Fax: +44 (0)1202 573 488

China

www.finishingbrands.com.cn
mkt@finishingbrands.com.cn
Tel: +8621-3373 0108
Fax: +8621-3373 0308

Mexico

Industrial Finishing

www.finishingbrands.com.mx
sales@finishingbrands.com.mx
Tel: 011 52 55 5321 2300
Fax: 011 52 55 5310 4790

France

www.finishingbrands.eu
info@finishingbrands.eu
Tel: +33(0)475 75 27 00
Fax: +33(0)475 75 27 59

Japan

www.ransburg.co.jp
binks-devilbiss@ransburg.co.jp
Tel: 081 45 785 6421
Fax: 081 45 785 6517

Brazil

www.devilbiss.com.br
sales@devilbiss.com.br
Tel: +55 11 5641 2776
Fax: 55 11 5641 1256

Germany

www.finishingbrands.eu
info@finishingbrands.eu
Tel: +49 (0) 6074 403 1
Fax: +49 (0) 6074 403 281

Australia

www.finishingbrands.com.au
sales@finishingbrands.com.au
Tel: +61 (0) 2 8525 7555
Fax: +61 (0) 2 8525 7500

DeVILBISS
AUTOMOTIVE REFINISHING

DeVilbiss Automotive Refinishing is part of Finishing Brands, a global leader in innovative spray finishing technologies. For technical assistance or to locate an authorized distributor, contact one of our sales and customer support locations below.

USA/Canada

www.autorefinishdevilbiss.com
askus@devilbissar.com
Toll Free Tel: 1-800-445-3988
Toll Free Fax: 1-800-445-6643

Mexico

www.autorefinishdevilbiss.com.mx
Toll Free Tel: 1-888-835-6232 USA



DeVILBISS



Ransburg



BGK



BINKS



Finishing Brands