

Binks MODEL 115 SPRAY GUN

6143-0901-3 115 GUN 78SS-78S
6143-0901-5 115 GUN 78SS-78SD



OPERATION AND MAINTENANCE

The Model 115 Gun is normally used for touch-up, stenciling, and small work spraying.

CONTROLLING THE FAN SPRAY

The fan spray for an external mix nozzle set-up is easily controlled by means of the side port control assembly (17). Turning the valve stem (19) to the right, or clockwise, until it is closed will give a round spray; turning it to the left, or counter-clockwise, will widen the spray into a fan shape of any width desired. The direction of the fan spray, either horizontal or vertical, is obtained by turning the air nozzle to the desired position, then tightening the retainer ring.

CONTROLLING THE FLUID

If a fluid pressure tank is used, the amount of fluid can be controlled by regulating the pressure on the tank. The amount of fluid can also be controlled by means of the fluid control screw (21). Turning this screw to the right, or clockwise, reduces the amount of fluid; to the left, or counter-clockwise, increases the amount of fluid.

FAULTY SPRAY

A faulty spray is caused by improper cleaning or dried material around the fluid nozzle tip or in the air nozzle. Soak these parts in a solvent that will soften the dried material and remove with a brush or cloth.

⚠ CAUTION

Never use metal instruments to clean the air or fluid nozzles. These parts are carefully machined and any damage to them will cause a faulty spray.

If either the air nozzle or fluid nozzle is damaged, the part must be replaced before a perfect spray can be obtained.

TO REPLACE FLUID PACKING

Remove the fluid control screw (21), spring (23) and fluid needle (3). Then remove the fluid packing nut (25) and take out the old packing with a small stiff wire. Replace with new packing (8). Oil lightly and reassemble in reverse order. Do not over tighten fluid packing nut. Doing so can prevent needle movement.

CORRECTING AIR LEAK THROUGH GUN OR AROUND AIR VALVE STEM ASSEMBLY

Air leaking through the gun is caused by the air valve stem assembly (20) not seating properly. Air leaking around the air valve stem assembly (20) may be caused by worn packing (8) or damaged air valve stem assembly (20). Remove air connection (24), spring (15), air valve stem assembly (20), valve nut (14) and packing (8). Thoroughly clean parts, put one drop of oil on packing (8) and reassemble in reverse order.

CLEANING THE GUN WHEN USED WITH PRESSURE TANK

Shut off the air supply to the pressure tank and release the pressure in the tank. Hold a piece of cloth over the gun nozzle and pull the trigger, the air will back up through the fluid nozzle and force the fluid out of the hose and into the tank. Remove paint from tank, clean tank and put enough compatible solvent into the tank to clean the hose and gun thoroughly. Spray this through the gun triggering the gun intermittently until it is clean, then blow out the fluid hose to dry it and remove all traces of materials by attaching it to the air line.

CLEANING THE GUN WHEN USED WITH A CUP

A compatible solvent should be siphoned through gun by inserting tube from siphon cup in an open container of solvent. Trigger gun intermittently to thoroughly flush passageways and internal parts.

⚠ WARNING

REGARDING AIR PRESSURE SAFETY

Shut off air pressure before connecting or disconnecting air hose or removing any components from the gun. Servicing the gun while pressurized could result in damage to components or bodily injury.

Binks MODEL 115 SPRAY GUN

TYPE OF FLUID TO BE SPRAYED	FLUID x AIR NOZZLES	TYPE	CFM @30 PSI	CFM @50 PSI	CFM @70 PSI	PATTERN AT 8"	NEEDLE	FLUID NOZZLE ORIFICE
VERY THIN								
14-16 SECS—NO.2 ZAHN	78SS X 78S	SE	4.2	6.9		8"	78SS	.070
WASH PRIMERS, DYES, CLEANING FLUIDS, STAINS, WATER INKS	78SS X 78SD	SE	2.8	4.0		7"	78SS	.070
THIN								
16-20 SECS—NO. 2 ZAHN	78SS X 78S	SE	4.2	6.9		8"	78SS	.070
SEALERS, PRIMERS, LACQUERS	78SS X 78SD	SE	2.8	4.0		7"	78SS	.070
MEDIUM								
19-30 SECS—NO.2 ZAHN	78SS X 78S	SE	4.2	6.8		8"	78SS	.070
LACQUERS, PRIMERS, VARNISHES, SYN. ENAMELS, WALL PAINTS, HOUSE PAINTS								

SE—Siphon Feed—External Mix

In this part sheet, the words **WARNING**, **CAUTION** and **NOTE** are used to emphasize important safety information as follows:

⚠ WARNING
 Hazards or unsafe practices which could result in severe personal injury, death or substantial property damage.

⚠ CAUTION
 Hazards or unsafe practices which could result in minor personal injury, product or property damage.

NOTE
 Important installation, operation or maintenance information.

⚠ WARNING

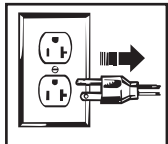
Read the following warnings before using this equipment.



READ THE MANUAL
 Before operating finishing equipment, read and understand all safety, operation and maintenance information provided in the operation manual.



WEAR SAFETY GLASSES
 Failure to wear safety glasses with side shields could result in serious eye injury or blindness.



DE-ENERGIZE, DISCONNECT AND LOCK OUT ALL POWER SOURCES DURING MAINTENANCE
 Failure to De-energize, disconnect and lock out all power supplies before performing equipment maintenance could cause serious injury or death.



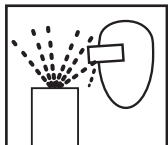
OPERATOR TRAINING
 All personnel must be trained before operating finishing equipment.



EQUIPMENT MISUSE HAZARD
 Equipment misuse can cause the equipment to rupture, malfunction, or start unexpectedly and result in serious injury.



KEEP EQUIPMENT GUARDS IN PLACE
 Do not operate the equipment if the safety devices have been removed.



PROJECTILE HAZARD
 You may be injured by venting liquids or gases that are released under pressure, or flying debris.



PINCH POINT HAZARD
 Moving parts can crush and cut. Pinch points are basically any areas where there are moving parts.



AUTOMATIC EQUIPMENT
 Automatic equipment may start suddenly without warning.



INSPECT THE EQUIPMENT DAILY
 Inspect the equipment for worn or broken parts on a daily basis. Do not operate the equipment if you are uncertain about its condition.



NEVER MODIFY THE EQUIPMENT
 Do not modify the equipment unless the manufacturer provides written approval.



KNOW WHERE AND HOW TO SHUT OFF THE EQUIPMENT IN CASE OF AN EMERGENCY



PRESSURE RELIEF PROCEDURE
 Always follow the pressure relief procedure in the equipment instruction manual.



NOISE HAZARD
 You may be injured by loud noise. Hearing protection may be required when using this equipment.



STATIC CHARGE
 Fluid may develop a static charge that must be dissipated through proper grounding of the equipment, objects to be sprayed and all other electrically conductive objects in the dispensing area. Improper grounding or sparks can cause a hazardous condition and result in fire, explosion or electric shock and other serious injury.



FIRE AND EXPLOSION HAZARD
 Never use 1,1,1-trichloroethane, methylene chloride, other halogenated hydrocarbon solvents or fluids containing such solvents in equipment with aluminum wetted parts. Such use could result in a serious chemical reaction, with the possibility of explosion. Consult your fluid suppliers to ensure that the fluids being used are compatible with aluminum parts.

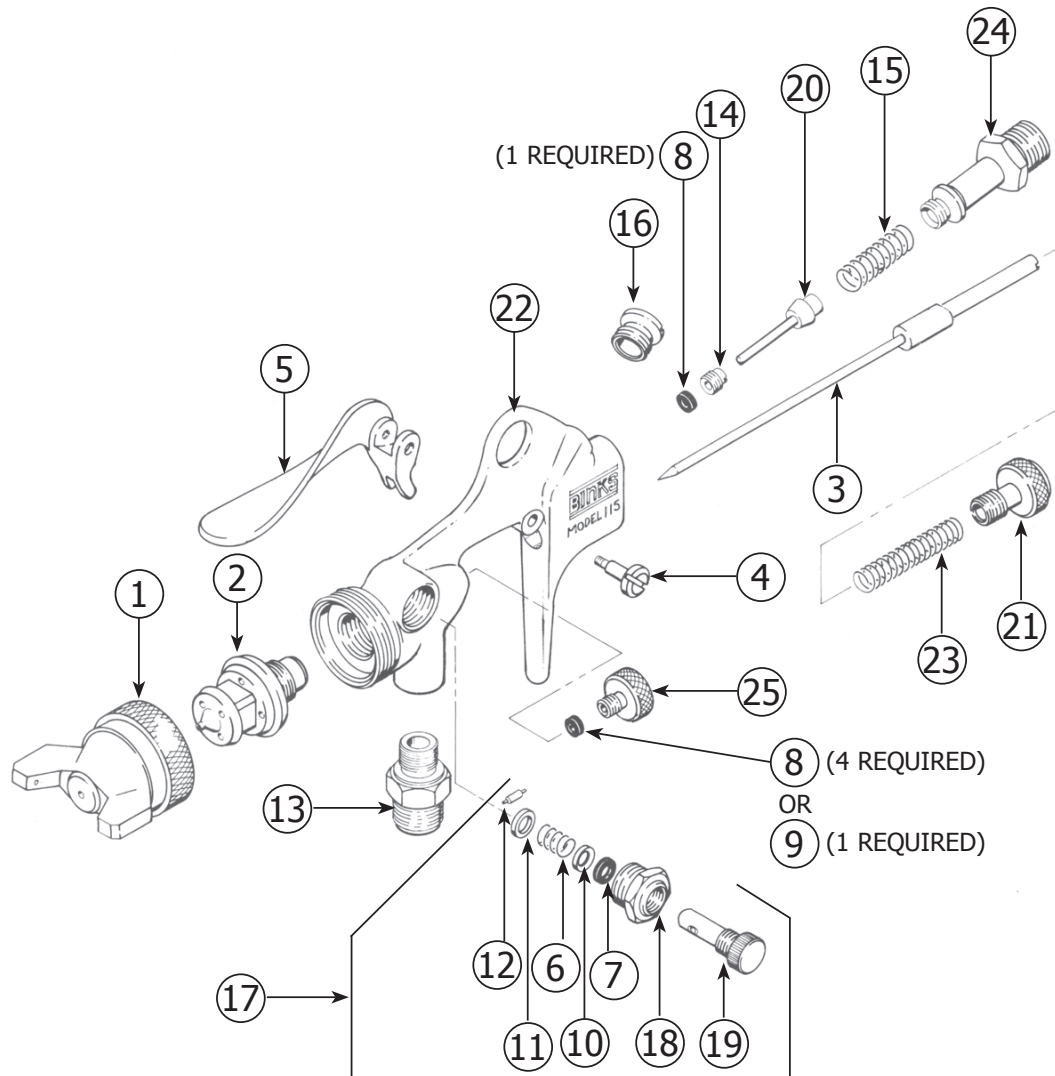


PROP 65 WARNING
 WARNING: This product contains chemicals known to the State of California to cause cancer and birth defects or other reproductive harm.

IT IS THE RESPONSIBILITY OF THE EMPLOYER TO PROVIDE THIS INFORMATION TO THE OPERATOR OF THE EQUIPMENT.

FOR FURTHER SAFETY INFORMATION REGARDING BINKS AND DEVILBISS EQUIPMENT, SEE THE GENERAL EQUIPMENT SAFETY BOOKLET (77-5300).

Binks MODEL 115 SPRAY GUN



PARTS LIST

ITEM NO. QTY.	PART NO.	DESCRIPTION	ITEM NO. QTY.	PART NO.	DESCRIPTION
1	*	AIR NOZZLE.....	1	15	55-826• SPRING
2	*	FLUID NOZZLE.....	1	16	55-827 AIR VALVE CAP
3	*	FLUID NEEDLE.....	1	17	55-828 SIDE PORT CONTROL ASS'Y
4	55-422	SCREW, Trigger	1	18	— SIDE PORT CONTROL BODY
5	55-434	TRIGGER ASSEMBLY.....	1	19	— VALVE STEM
6	55-539•	SPRING	1	20	55-874• AIR VALVE STEM ASSEMBLY.....
7	55-541•	LEATHER PACKING	1	21	55-875 FLUID CONTROL SCREW
8	55-548•	PACKING, Standard, Leather	5	22	— BODY
9	55-560	PACKING, Optional, PTFE.....	1	23	55-881 SPRING
10	55-634	PACKING RING.....	1	24	55-885 AIR CONNECTION
11	—	SPRING RING.....	1	25	55-898 FLUID PACKING NUT
12	—	PIN.....	1	26	54-3871 GUNNERS MATE (NOT SHOWN)
13	57-126	AIR CONNECTION	1	27	54-4133 BRUSH (NOT SHOWN).....
14	55-825	VALVE NUT	1	28	OMX-88 BRUSH (NOT SHOWN).....

* Be sure to specify number stamped on Air Nozzle and Fluid Nozzle, or see Nozzle Selection Chart on page 1.

Be sure to specify by number on Fluid Needle, and gun model when ordering.

• Also available in 6-222 Repair Kit. Please order separately.

WARRANTY POLICY

Binks products are covered by Finishing Brands one year materials and workmanship limited warranty. The use of any parts or accessories, from a source other than Finishing Brands, will void all warranties. For specific warranty information please contact the closest Finishing Brands location listed below.

Finishing Brands reserves the right to modify equipment specifications without prior notice. DeVilbiss, Ransburg, BGK, and Binks are registered trademarks of Finishing Brands. ©2014 Finishing Brands. All rights reserved.



Binks is part of Finishing Brands, a global leader in innovative spray finishing technologies. For technical assistance or to locate an authorized distributor, contact one of our international sales and customer support locations below.

USA/Canada

www.binks.com
info@finishingbrands.com
Tel: 1-800-992-4657
Fax: 1-888-246-5732

Mexico

www.finishingbrands.com.mx
sales@finishingbrands.com.mx
Tel: 011 52 55 5321 2300
Fax: 011 52 55 5310 4790

Brazil

www.devilbiss.com.br
sales@devilbiss.com.br
Tel: +55 11 5641 2776
Fax: 55 11 5641 1256

United Kingdom

www.finishingbrands.eu
info@finishingbrands.eu
Tel: +44 (0)1202 571 111
Fax: +44 (0)1202 573 488

France

www.finishingbrands.eu
info@finishingbrands.eu
Tel: +33(0)475 75 27 00
Fax: +33(0)475 75 27 59

Germany

www.finishingbrands.eu
info@finishingbrands.eu
Tel: +49 (0) 6074 403 1
Fax: +49 (0) 6074 403 281

China

www.finishingbrands.com.cn
mkt@finishingbrands.com.cn
Tel: +8621-3373 0108
Fax: +8621-3373 0308

Japan

www.ransburg.co.jp
binks-devilbiss@ransburg.co.jp
Tel: 081 45 785 6421
Fax: 081 45 785 6517

Australia

www.finishingbrands.com.au
sales@finishingbrands.com.au
Tel: +61 (0) 2 8525 7555
Fax: +61 (0) 2 8525 7500

